



Refrigerator
BOTTOM MOUNTED FREEZER SERIES

USER MANUAL

MDRB379FGD*

Warning notices: Before using this product, please read this manual carefully and keep it for future reference. The design and specifications are subject to change without prior notice for product improvement. Consult with your dealer or manufacturer for details. The diagram above is just for reference. Please take the appearance of the actual product as the standard.

THANK YOU LETTER

Thank you for choosing Midea! Before using your new Midea product, please read this manual thoroughly to ensure that you know how to operate the features and functions that your new appliance offers in a safe way.

CONTENTS

THANK YOU LETTER	01
SPECIFICATIONS	02
PRODUCT OVERVIEW	03
PRODUCT INSTALLATION	04
OPERATION INSTRUCTIONS	11
CLEANING AND MAINTENANCE	15
TROUBLESHOOTING	17
APPENDIX	19

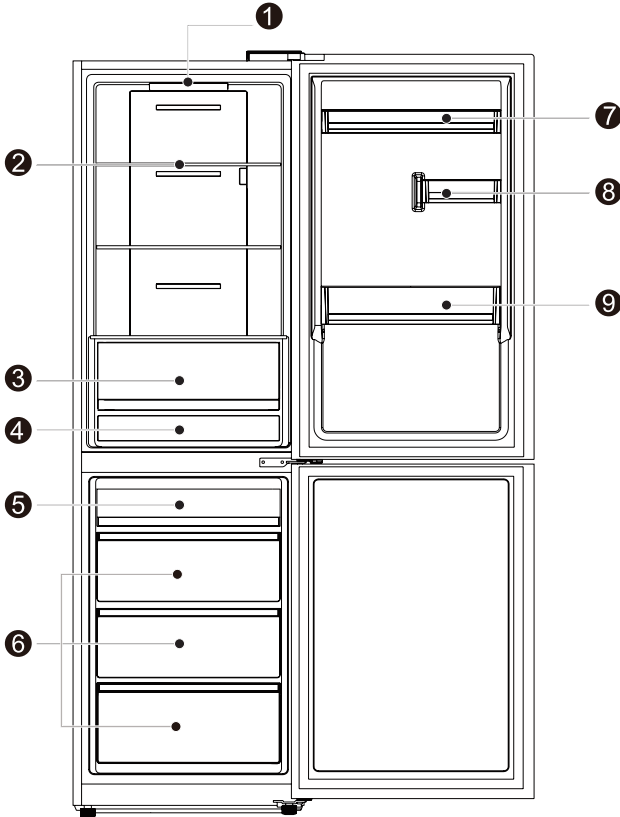
SPECIFICATIONS

Product model	MDRB379FGD
Rated Voltage / Frequency	220-240V~/50Hz
Rated Current	1.2A
Rated Lamp Power	MAX 3W
Fresh Food Storage Compartment Volume	173L
Four-star Compartment Volume	100L
Temperature Rise Time	11h
Freezing Capacity	7kg/24h
Overall Dimension (WxDxH)	547x632x1800mm

Importer / Address: MIDEA HOME APPLIANCES UK LTD
Conavon Court Ground Floor, 12 Blackfriars Street, Salford,
Manchester M3 5BQ UK

PRODUCT OVERVIEW

Names of components



- | | | | |
|---|---------------------------|---|-----------------|
| 1 | LED Lamp | 6 | Drawer |
| 2 | Shelf | 7 | Door tray |
| 3 | Fruits and vegetables box | 8 | Small Door tray |
| 4 | Multifunctional space | 9 | Big Door tray |
| 5 | Pizza box | | |

ATTENTION

The picture above is only for reference. The actual configuration will depend on the physical product or statement by the distributor

PRODUCT INSTALLATION

Install Instruction

For refrigerating appliances with climate class

- Depending on the climate class, this refrigerating appliance is intended to be used at ambient temperatures range as specified following table.
- The climate class can be found on the rating plate. The product may not operate properly at temperatures outside of the specific range.
- You can find the climate class on the product label.

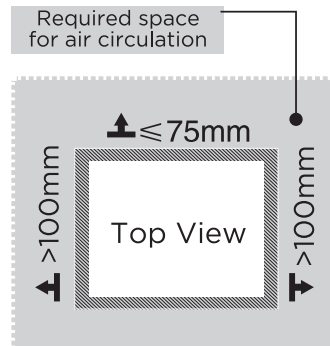
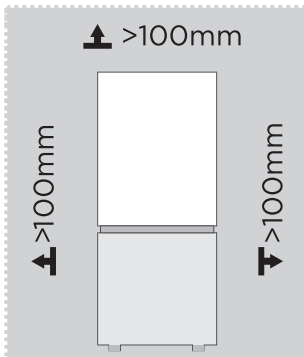
Effective temperature range

- The product is designed to operate normally in the temperature range specified by its class rating.

Class	Symbol	Ambient temperature range °C	
		IEC 62552 (ISO 15502)	ISO 8561
Extended temperate	SN	+ 10 to + 32	+ 10 to + 32
Temperate	N	+ 16 to + 32	+ 16 to + 32
Subtropical	ST	+ 16 to + 38	+ 18 to + 38
Tropical	T	+ 16 to + 43	+ 18 to + 43

Dimensions and Clearances

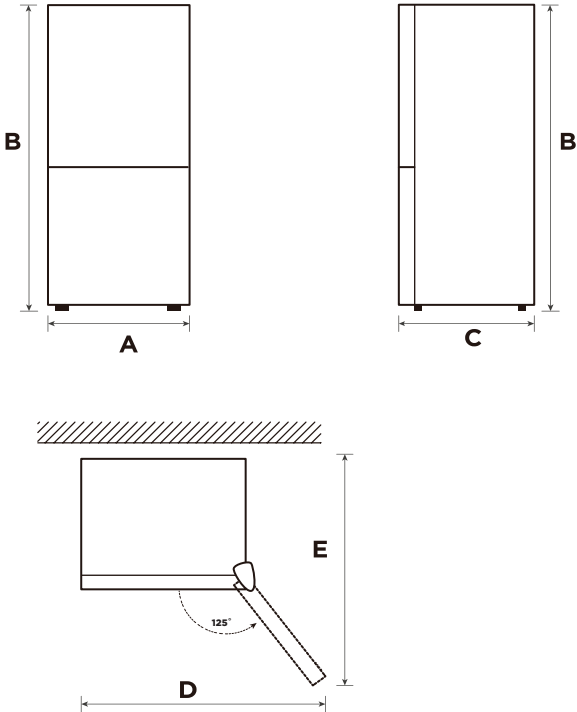
- Too small of a distance from adjacent items may result in the degradation of freezing capability and increased electricity costs. the refrigerator both sides should be placed against the wall with a free distance more than 100mm, and the refrigerator back against the wall distance not more than 75 mm.



ATTENTION

- The picture above is only for reference. The actual configuration will depend on the physical product or statement by the distributor.
- To avoid injury to yourself or your property, we recommend that someone assist you during the door reversal process.

Space requirement diagram (when the door is open and when the door is closed)



Width	Overall Height	Depth	Width doors open 125°	Depth doors open 125°
A	B	C	D	E
547	1800	632	1040	865

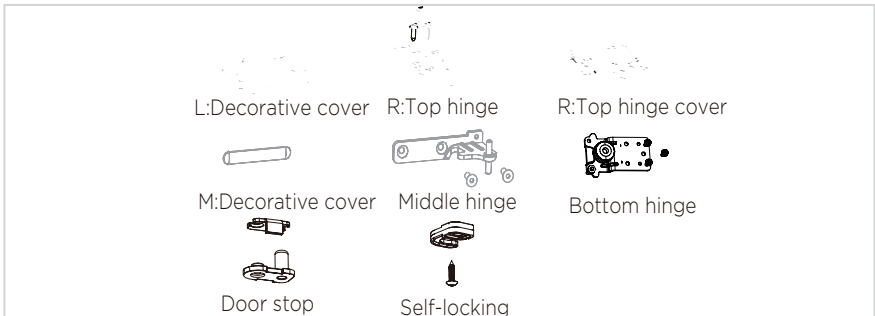
Notice: All dimensions in

Doors reversal

Parts included with the hinge kit:

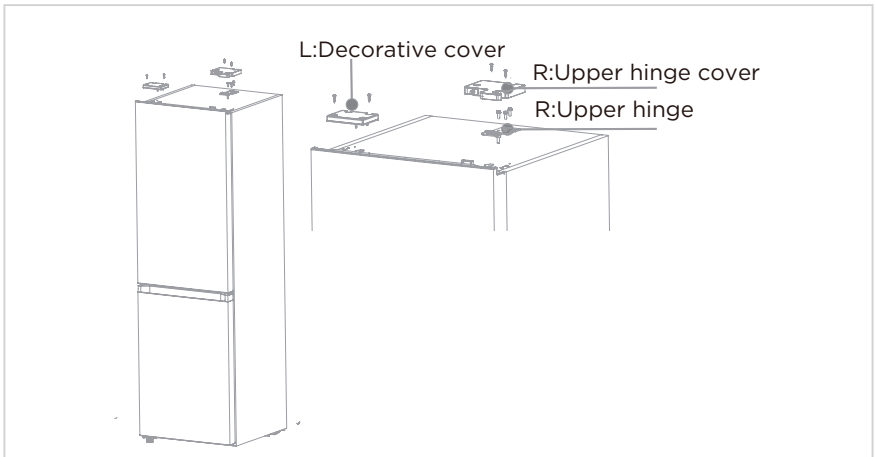


Parts already mounted on the refrigerator (as shipped):

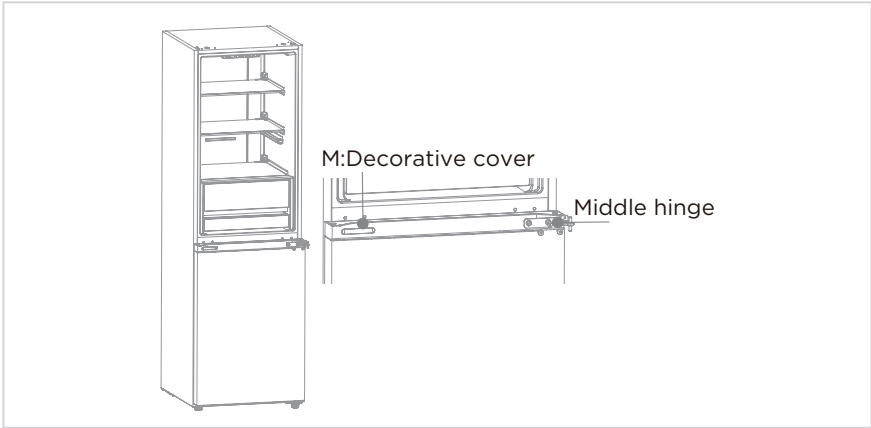


Steps:

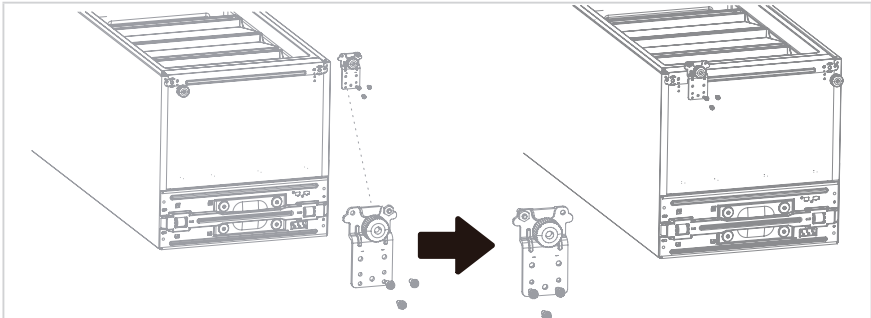
1. Power off the refrigerator, and remove all articles from the door trays.
2. Remove the upper left hinge cover decorative cover, upper right hinge cover and upper right hinge, and disconnect the signal line at the top of the box body.



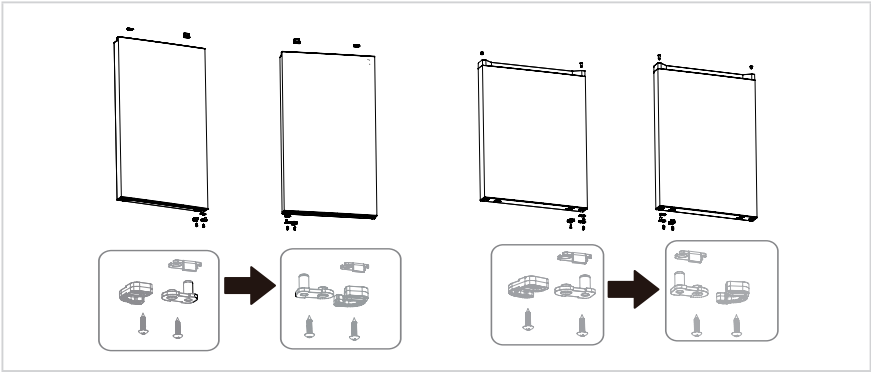
3. Remove the refrigerated door body (be careful not to lose small parts such as the shaft sleeve and stop on the door);
4. Remove the middle hinge and remove the decorative cover of hinge hole on the other side.



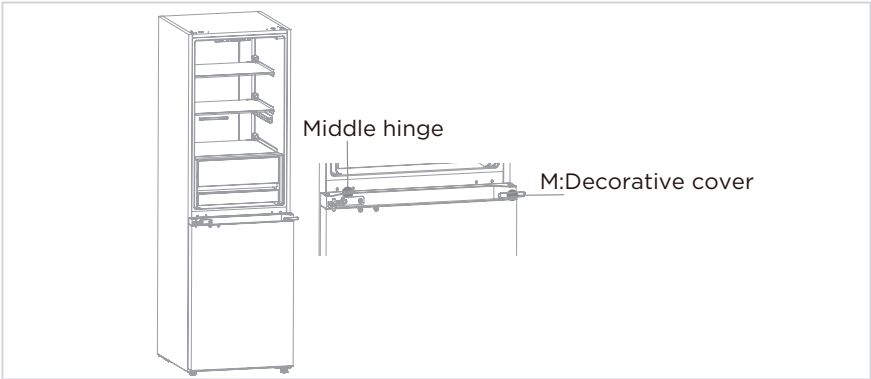
5. Remove the freezing door body (be careful not to lose small parts such as the shaft sleeve and stop on the door);
6. Remove the hinge and adjust the angle. Remove and install the lower hinge shaft to the other side of the hinge, and install the modified lower hinge to the other side of the box.



7. Change the refrigerator door:
 - Remove the door stop and cap of the upper end cover of the refrigeration door and install them at the left and right swap positions.
 - Remove the door self-locking, door stop and shaft sleeve of the refrigeration door, install them on the other side of the refrigeration door.
8. Change the freezing door:
 - Remove the shaft sleeve and cap of the upper end cover of the freezing door and install them at the left and right swap positions.
 - Remove the door self-locking, door stop and shaft sleeve of the freezing door, install them on the other side of the freezing door.

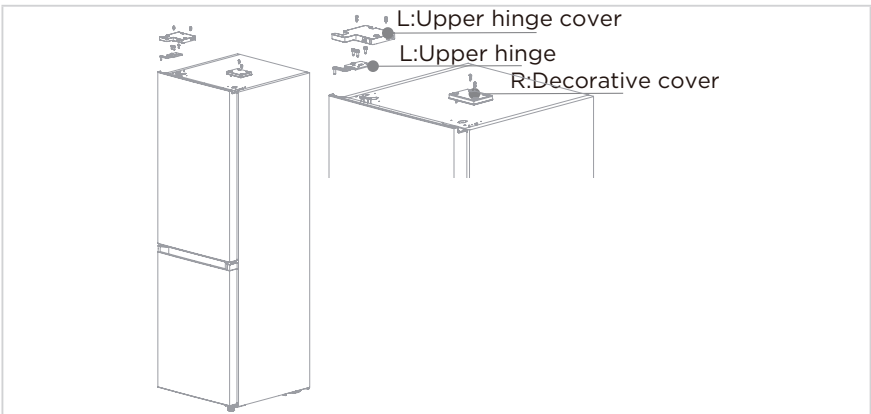


9. Install the replaced freezing door on the lower hinge, then install the middle hinge and cover the hinge hole decorative cover.





10. Remove the shaft sleeve and cap of the upper end cover of the freezing door and install them at the left and right swap positions.

11. Remove the door self-locking, door stop and shaft sleeve of the freezing door, install them on the other side of the freezing door.



Adjustable foot

- To avoid vibration, the appliance must be placed horizontally.
- If required, adjust the adjustable foot to keep the appliance horizontal.
- The front should be slightly higher than the rear to avoid the door opening.
- The adjustable foot can be turned easily by raising the appliance slightly.
- Turn the adjustable foot counterclockwise  to raise the unit, clockwise  to lower it.

Moving the appliance

- Remove all food from the appliance.
- Take the power plug off, insert and fix it into the power plug hook at the rear or on top of the appliance.
- Fix parts with tape to prevent shelves and the door handle from falling off while moving the appliance.
- Move the appliance carefully with more than two people. If moving the appliance over a long distance, keep the appliance upright.
- After installing the appliance, put the power plug on a socket again.

ATTENTION

Precautions before operation:

Before making changes the refrigerator must be disconnected from power. Precautions should be taken to prevent any personal injury.

Changing the light

- Any replacement or maintenance of the LED lamps is intended to be made by the manufacturer, its service agent or similar qualified person.
- This product contains a light source of energy efficiency class (G).

ATTENTION

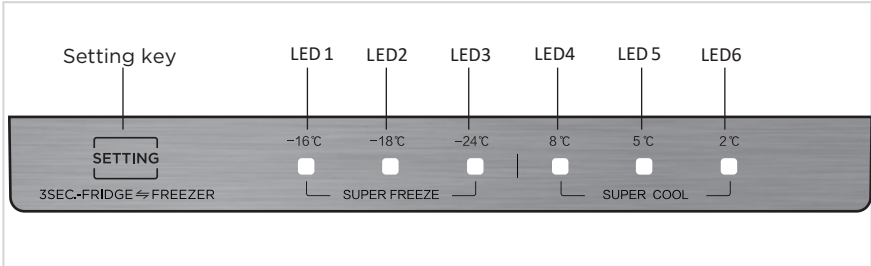
After connecting the power supply cord (or plug) to the outlet, wait 2 or 3 hours before you put food into the appliance. If you add food before the appliance has cooled completely, your food may spoil.

Tips for energy saving

- Do not place the appliance near cookers, radiators or other heat sources. If the ambient temperature is high, the compressor will run more frequently and for longer, resulting in increased energy consumption.
- Ensure that there is sufficient ventilation at the base of the appliance, on the sides of the appliance and at the back of the appliance. Never cover ventilation openings.
- Please also observe the spacing dimensions in the chapter "Installation".
- The arrangement of drawers, shelves and racks as shown in the illustration offers the most efficient use of energy and should therefore be retained as far as possible. All drawers and shelves should remain in the appliance to keep the temperature stable and save energy.
- To obtain a larger storage space (e.g. for large refrigerated/frozen goods), the middle drawers can be removed. The top and bottom drawers and shelves should be removed last if necessary.
- An evenly filled refrigerator/freezer compartment contributes to optimal energy use. Therefore, avoid empty or half-empty compartments.
- Allow warm food to cool before placing it in the refrigerator/freezer. Food that has already cooled down increases energy efficiency.
- Allow frozen food to defrost in the refrigerator. The coldness of the frozen food reduces the energy consumption in the refrigerator compartment and thus increases the energy efficiency.
- Open the door only as briefly as necessary to minimise cold loss. Opening the door briefly and closing it properly reduces energy consumption.
- The door seals of your appliance must be perfectly intact so that the doors close properly and energy consumption is not increased unnecessarily.

OPERATION INSTRUCTIONS

Control panel



Display	Button	
1 LED 1 : -16 C	A	Temperature setting
2 LED 2 : -18 C		
3 LED 3 : -24 C		
4 LED 4 : 8 C		
5 LED 5 : 5 C		
6 LED 6 : 2 C		

Display


- When the power is on for the first time, full display shall last for 3 seconds, then enter into the normal operation display; In case of a failure, the corresponding LED blinks.
- In case of no failures, it shows the actual temperature setting of refrigerator.

Fault Code	Fault Description
LED1 LED6 flashing	Refrigerator temperature sensor fault
LED1 LED3 flashing	Freezer temperature sensor fault
LED1 LED5 flashing	Frozen defrosting sensor fault
LED1 LED4 flashing	Ambient temperature fault


ATTENTION

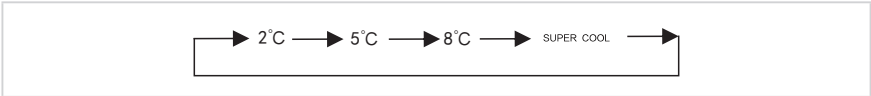
The actual control panel may differ from model to model.

Temperature setting

- After each key operation of temperature adjustment , the corresponding set temperature flashes for 3S.
- In the refrigeration temperature setting mode, long press the setting key  for 3S to switch to the freezing temperature setting mode.
- When setting the freezer temperature, the temperature will cycle in the following order each time the setting key is pressed. In the super freeze state, LED1 and LED3 will light up at the same time, as shown below:



- In the freezing temperature setting mode, long press the setting key for  3S to switch to the refrigeration temperature setting mode.
- When setting the refrigerating temperature, the temperature will cycle in the following order each time the setting key is pressed. In the super cool state, LED4 and LED6 will light up at the same time as shown below:



ATTENTION

The Super freeze function is designed to maintain the nutritional value of the food in the freezer. It can freeze the food in the shortest time. If a large amount of food is frozen at one time, it is recommended that the user turn on the Super freeze function and put the food in. At this time, the freezing speed of the freezer compartment is increased, which can quickly freeze the food, effectively lock the nutrition of the food, and facilitate storage.

Tips on storing food

Freezer compartment

- The freezer is designated for the storage of food frozen at very low temperature, long-term storage of frozen food, and for the production of ice.
- Only use the shelves in the door of the freezer to store frozen food, not for storing hot food designated for freezing.
- Do not put fresh and frozen food next to each other. The frozen food may thaw.
- When freezing fresh food (such as meat, fish or chopped meat), cut them into parts that can be used at the same time.
- Storing frozen food: instructions are usually stated on the packages, which must be followed. If there is no information on the packaging, food should not be stored for longer than three months from the date of purchase.
- When purchasing frozen food, make sure that it was frozen at a suitable temperature and that the packaging is not damaged.
- Frozen food should be kept in suitable packages to retain the quality and should be returned to the freezer compartment as soon as possible.
- If a package of frozen food shows moisture or abnormal bulging, it is probable that it was stored at the wrong temperature and the content is spoiled.
- The storage period for frozen food depends on the room temperature, the thermostat setting, the frequency of opening the door of the freezer, the type of food and the time of transporting the product from the shop to the household. Always follow the instructions printed on the packaging and never exceed the maximum storage time stated on the package.
- To freeze fresh food activate the Super freeze function at least 12 hours before placing the food to complete pre-freezing.

Cooling compartment

- To reduce moisture and subsequent ice build-up, never put liquid into the refrigerator in unsealed containers. Frost tends to concentrate in the coolest parts of the evaporator. Storing uncovered liquids results in a more frequent need for defrosting.
- Never put warm foods in the refrigerator. These should first cool down at room temperature and then be placed so as to ensure adequate air circulation in the refrigerator.
- Foods or food containers should not touch the back wall of the refrigerator because they could freeze to the wall. Do not keep regularly opening the door of the refrigerator.
- Meat and clean fish (packed in a package or plastic foil) can be placed in the refrigerator, which can be used in 1-2 days.
- Fruit and vegetables without packaging can be placed in the part designated for fresh fruit and vegetables.

Recommended Temperature

The optimal temperature setting for food storage:

- Fridge: 5 °C , Freezer: -18 °C

ATTENTION

The optimal temperature setting of each compartment depends on the ambient temperature. Above optimal temperature is based on the ambient temperature of 25 °C.

Order	Compartments TYPE	Target storage temp. [°C]	Appropriate food
1	Fridge	$+2 \leq x \leq +8$	Eggs, cooked food, packaged food, fruits and vegetables, dairy products, cakes, drinks and other foods not suitable for freezing.
2	 Four-star rating frozen	$x \leq -18$	With freezing capacity, fast freezing speed, can quickly freeze and store food. Suitable for frozen fresh food such as seafood (fish, shrimp, shellfish), freshwater aquatic products and meat products. Recommended for 3 - 6 months, the longer the storage time, the worse the taste and nutrition.
3	 Three-star rating frozen	$x \leq -18$	With freezing capacity. Suitable for frozen fresh food such as seafood (fish, shrimp, shellfish), freshwater aquatic products and meat products. Recommended no more than 3 months.
4	 Two-star rating frozen	$x \leq -12$	Only suitable for medium-term storage of already frozen food, e.g. ice cream. Recommended no more than 1 month.
5	 One-star rating frozen	$x \leq -6$	Only suitable for refrigeration, and short-term storage of small quantities of already frozen food. Recommended no more than 1 week.
6	0-star	$-6 \leq x \leq 0$	Fresh pork, beef, fish, chicken, some packaged processed foods, etc. (Recommended to eat within the same day, preferably no more than 3 days). Partially encapsulated processed foods (non-freezable foods).
7	Chill	$-2 \leq x \leq +3$	Fresh/ frozen pork, beef, chicken, freshwater aquatic products, etc. (7 days below 0°C and above 0°C is recommended for consumption within that day, preferably no more than 2 days). Seafood less than 0 for 15 days, it is not recommended to store above 0°C.
8	Fresh food	$0 \leq x \leq +4$	Fresh pork, beef, fish, chicken, cooked food, etc. (Recommended to eat within the same day, preferably no more than 3 days)
9	Wine	$+5 \leq x \leq +20$	Red wine, white wine, sparkling wine, etc.

ATTENTION

please store different foods according to the compartments or target storage temperature of your purchased

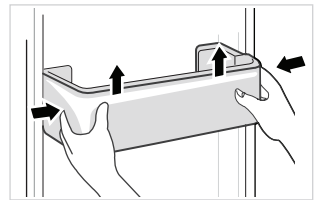
CLEANING AND MAINTENANCE

Defrosting

- Refrigerator shall be manually defrosted.
- Disconnect the plug from the wall socket, open the door and remove all the food to a cool place. It is recommended to remove the frost by a plastic scraper, or let
- the temperature rise naturally until the frost melts. Then wipe away the remaining ice and water, and plug in socket for switching on the refrigerator.

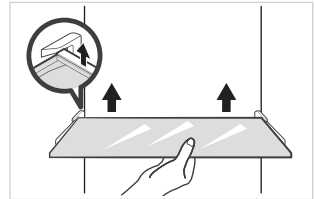
Cleaning of the door tray

- According to the direction arrow in the figure below, use both hands to squeeze the tray, and push it upward, then you can take it out.
- After washing the tray having been taken out, you can adjust its installing height in accordance with your requirement.



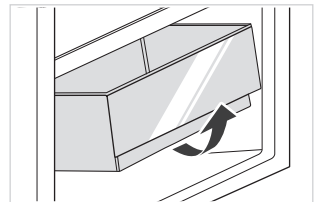
Cleaning of the glass shelf

- As the innermost part of the refrigerator liner where contacting the shelves has a backstop, you shall raise the shelves upward, then you can be able to take it out.
- Adjust or clean the shelves according to your requirement.



Cleaning of the Fruits and vegetables box

- Remove the contents of the drawer. Hold the handle of the vegetable drawer and pull it out completely until it stops.
- Lift the vegetable drawer up and remove it by pulling it out.



Out of operation

Power failure:

- In case of power failure, even if it is in summer, foods inside the appliance can be kept for several hours; during the power failure, the times of door opening shall be reduced, and no more fresh food shall be put into the appliance.

Long-time nonuse:

- The appliance shall be unplugged and then cleaned; then the doors are left open to prevent odor.

Moving:

- Before the refrigerator is moved, take all objects inside out, fix the glass partitions, vegetable holder, freezing chamber drawers and etc. with tape, and tighten the leveling feet; close the doors and seal them with tape. During moving, the appliance shall not be laid upside down or horizontally, or be vibrated; the inclination during movement shall be no more than 45°.



CAUTION

The appliance shall run continuously once it is started. Generally, the operation of the appliance shall not be interrupted; otherwise the service life may be impaired.

Foods can be preserved for a couple of hours even in summer in case of power failure; it is recommended to reduce the frequency of opening door.

TROUBLESHOOTING

The following simple issues can be handled by the user. Please call the after-sale service department if the issues are not solved.

Problem	Possible reason
Failed operation	<ul style="list-style-type: none"> • Check whether the appliance is connected to power or whether the plug is in well contact
	<ul style="list-style-type: none"> • Check whether the voltage is too low
	<ul style="list-style-type: none"> • Check whether there is a power failure or partial circuits have tripped
Odor	<ul style="list-style-type: none"> • Odorous foods shall be tightly wrapped
	<ul style="list-style-type: none"> • Check whether there is any rotten food
	<ul style="list-style-type: none"> • Clean the inside of the refrigerator
Long-time operation of the compressor	<ul style="list-style-type: none"> • Long operation of the refrigerator is normal in summer
	<ul style="list-style-type: none"> • when the ambient temperature is high it is not suggestible having too much food in the appliance at the same time
	<ul style="list-style-type: none"> • Food shall get cool before being put into the appliance
	<ul style="list-style-type: none"> • The doors are opened too frequently
Light fails to get lit	<ul style="list-style-type: none"> • Check whether the refrigerator is connected to power supply and whether the illuminating light is damaged
	<ul style="list-style-type: none"> • Have the light replaced by a specialist
Door can not be properly closed	<ul style="list-style-type: none"> • The door is stuck by food packages too much food is placed
	<ul style="list-style-type: none"> • The refrigerator is tilted.
Loud noises	<ul style="list-style-type: none"> • Check whether the floor is level and whether the refrigerator is placed stably
	<ul style="list-style-type: none"> • Check whether accessories are placed at proper locations

Problem	Possible reason
Door seal fails to be tight	<ul style="list-style-type: none"> • Remove foreign matters on the door seal
	<ul style="list-style-type: none"> • Heat the door seal and then cool it for restoration (or blow it with an electrical drier or use a hot towel for heating)
Water pan overflows	<ul style="list-style-type: none"> • There is too much food in the chamber or food stored contains too much water, resulting in heavy defrosting
	<ul style="list-style-type: none"> • The doors are not closed properly, resulting in frosting due to entry of air and increased water due to defrosting
Hot housing	<ul style="list-style-type: none"> • Heat dissipation of the built-in condenser via the housing, which is normal when housing becomes hot due to high ambient temperature, storage of too much food or shutdown of the compressor is shut down, provide sound ventilation to facilitate heat dissipation
Surface condensation	<ul style="list-style-type: none"> • Condensation on the exterior surface and door seals of the refrigerator is normal when the ambient humidity is too high. Just wipe the condensate with a clean towel.
Abnormal noise	<ul style="list-style-type: none"> • Buzz: The compressor may produce buzzes during operation, and the buzzes are loud particularly upon start or stop. This is normal.
	<ul style="list-style-type: none"> • Creak: Refrigerant flowing inside of the appliance may produce creak, which is normal.

APPENDIX

Special for new European standard

The ordered parts in the following table can be acquired from Service provider channel

Ordered part	Provided by	Minimum time required for Provision
Thermostats	Professional maintenance personnel	At least 7 years after the last model is launched on the market
Temperature sensors	Professional maintenance personnel	At least 7 years after the last model is launched on the market
Printed circuit boards	Professional maintenance personnel	At least 7 years after the last model is launched on the market
Light sources	Professional maintenance personnel	At least 7 years after the last model is launched on the market
Door handles	Professional repairers and final users	At least 7 years after the last model is launched on the market
Door hinges	Professional repairers and final users	At least 7 years after the last model is launched on the market
Trays	Professional repairers and final users	At least 7 years after the last model is launched on the market
Baskets	Professional repairers and final users	At least 7 years after the last model is launched on the market
Door gaskets	Professional repairers and final users	At least 10 years after the last model is launched on the market

Dear customer

1. If you want to return or replace the product, please contact the store where you buy.

(Remember to bring the purchase invoice)

2. If your product breaks down which needs to repair, please contact after-sales service provider.

ATTENTION

The model information in the product database, as well as the model identifier, can be obtained through a weblink scanned by a QR code, if any, on the energy efficiency label of the product.

For more information about the energy efficiency of the appliance, visit <https://ec.europa.eu> and search using the model name.

The model name can be found on the rating label of the appliance.



make yourself at home



www.midea.com

© Midea 2022 all rights reserved