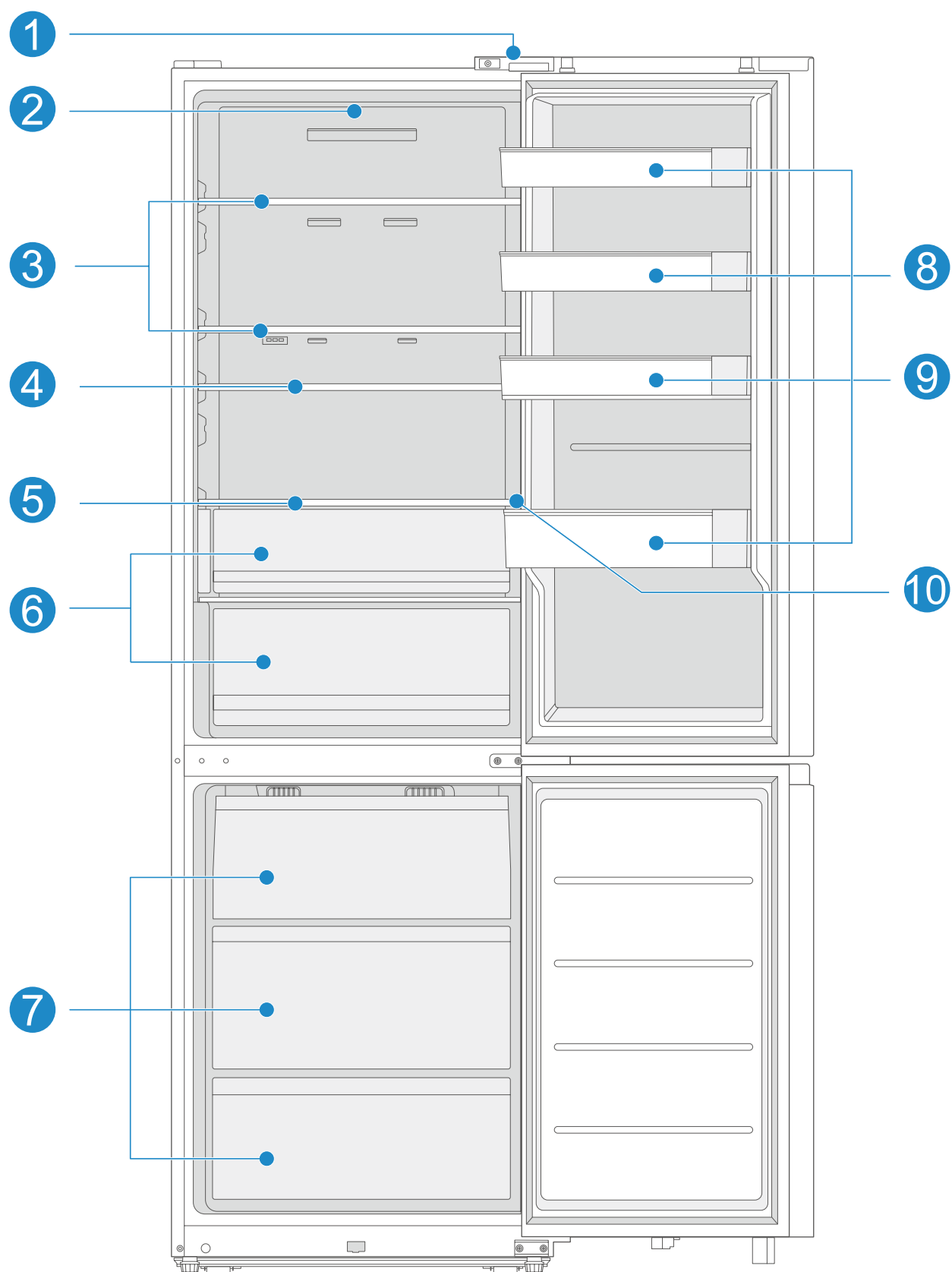


Product Overview

Product Introduction



- | | |
|-----------------------------|----------------------------------|
| 1 Door switch | 2 LED light |
| 3 Shelf | 4 Infinite shelf |
| 5 Humidifying shelf | 6 Fruits & vegetables box |
| 7 Drawer | 8 Door tray |
| 9 Infinite door tray | 10 Control panel |

- For the most efficient use of energy, please keep the all internal items such as trays, drawers, shelves and ice cube box on the position supplied by manufacturer.
- This refrigerating appliance needs to be installed independently and cannot be used as a built-in. Otherwise, it will cause problems such the performance and life of the appliance are reduced. And the manufacturer does not provide basic appliance warrant.

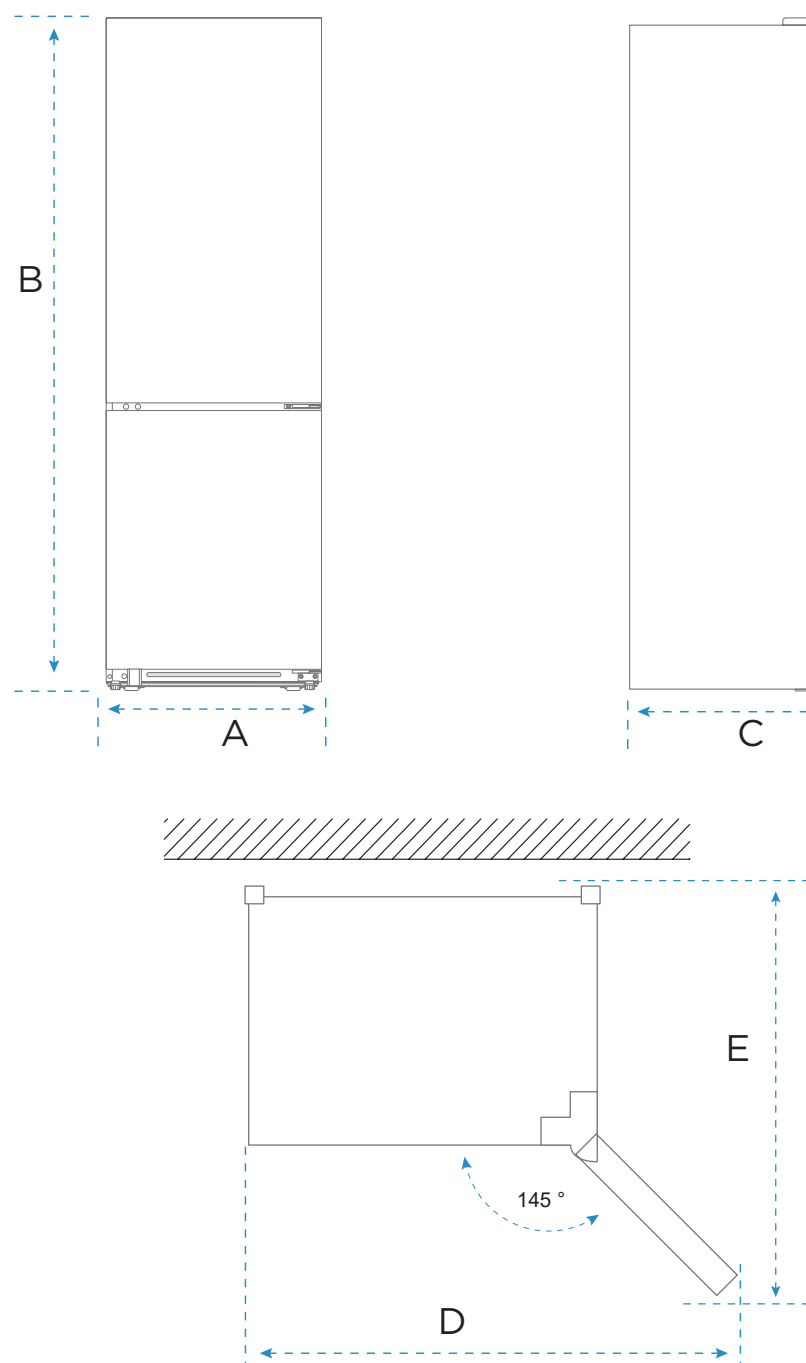
• | Attention

Differences: Due to technical changes and different models, some of the illustrations in this manual may differ from your model.

Product Installation

Space requirement diagram

Too small of a distance from adjacent items may result in the degradation of freezing capability and increased electricity costs. Allow over 100 mm of clearance at both sides and the top, and 50-75 mm at the back when installing the appliance.



A	B	C	D	E
595	2010	688	1270	1415

Notice: All dimensions in mm

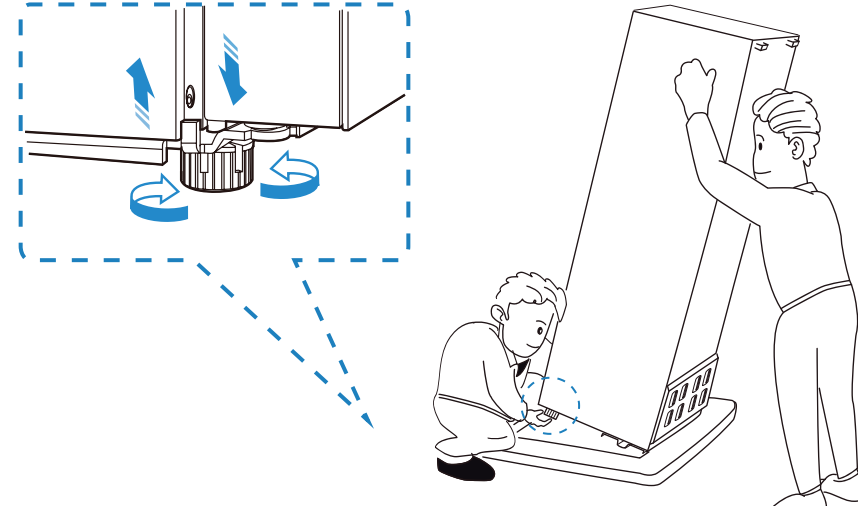
Leveling feet

To avoid vibration, the appliance must be leveled.

If required, adjust the leveling feet (located at the bottom front on both sides of the unit) to compensate for the uneven floor.

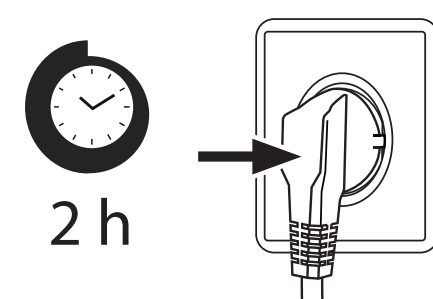
The front should be slightly higher than the rear to aid in door closing.

Leveling feet can be turned easily by tipping the cabinet slightly.



Connecting the appliance

After installing the product, please let it stay for more than 2 hours before turning on the power, otherwise it will lead to a decrease in cooling capacity or a damage to the product.



Allow the appliance to run empty for 24 hours so the compartment can cool to the appropriate temperature.

• | CAUTION

The refrigerator should always be plugged into its own individual electrical outlet which has a voltage rating that matches the rating plate.

WARNING: When positioning the appliance, ensure the supply cord is not trapped or damaged.

Ambient Temperature

Depending on the climate class, this refrigerator is intended to be used at an ambient temperature range as specified in the following table.

The product may not operate properly at temperatures outside of the specific range.

You can find the climate class on the product label.

Climate Class	Ambient Temperature
SN	+10 °C to +32 °C
N	+16 °C to +32 °C
ST	+16 °C to +38 °C
T	+16 °C to +43 °C

If you have any doubts regarding installation, please turn to the vendor, to our customer service or to the nearest Authorised Service Centre.

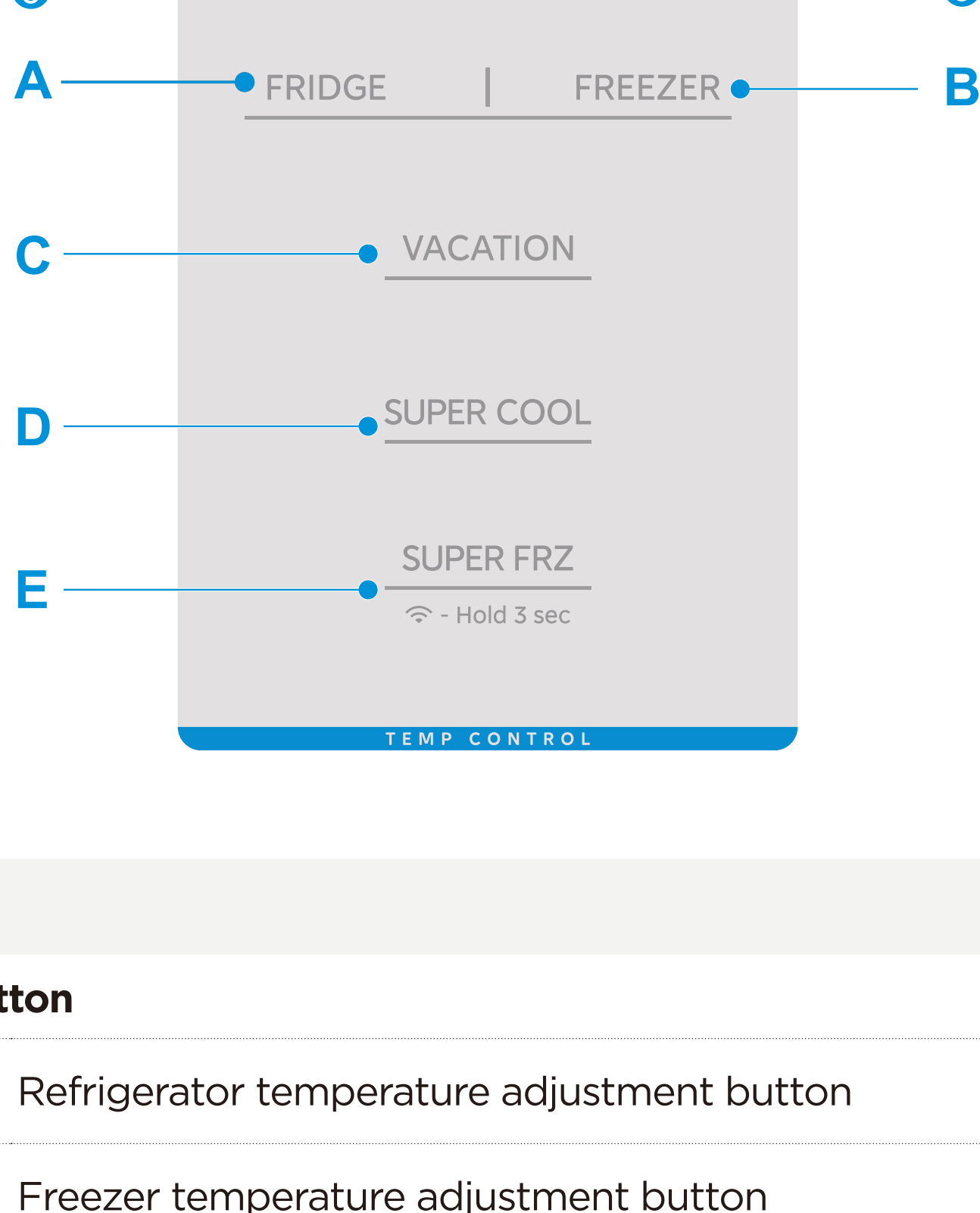
• | Tips

The cooling performance and power consumption of the refrigerator may be affected by the ambient temperature, the door-opening frequency, and the location of the refrigerator. We recommend adjusting the temperature settings as appropriate.

Product Operation

Control panel

The control panel is located on the right-hand inside wall of the refrigerating chamber.



Button

A Refrigerator temperature adjustment button

B Freezer temperature adjustment button

C Vacation button

D Super cool button

E Super freeze button

Display screen

1 Refrigerator icon

2 Wireless network icon

3 Freezer icon

4 Super cool icon

5 Super freeze icon

• | Attention

Differences: Due to technical changes and different models, some of the illustrations in this manual may differ from your model.

Operation Instruction

a| Display

• When the refrigerator is powered on for the first time, the whole display is on for 3s and then shows normal operation after the start-up bell rings. (The set temperatures of the refrigerator and freezer chambers are 5°C/-20°C respectively when powered on for the first time). When there is no fault, the fridge/freezer set temperature will be displayed.

• Under normal circumstances, the screen lights up when the door is opened and goes out after the door is closed, Under normal circumstances, pressing any key will automatically unlock when the door is open, Display will show failure code when there is malfunction.

• | NOTE

If a fault occurs, the display will show the fault code by flashing the temperature level icons (see "Fault Indication").

b| Temperature adjustment of refrigerator chamber

Press the "Refrigeration" key to select the refrigeration temperature zone, and then press it to adjust the temperature. Each time the key is pressed, the temperature drops by 1°C; after the temperature reaches 2°C, press it again to set the refrigerator chamber at 8°C. The setting temperature range of refrigerator chamber is 2-8°C; the setting takes effect after being locked.

c| Refrigerator chamber closed/open

The refrigerator chamber is closed when the vacation mode is set.

d| Temperature adjustment of freezer chamber

Press the "Freezer" key to select the freezer temperature zone, and then press it to adjust the temperature. Each time the key is pressed, the temperature drops by 1°C; after the temperature reaches -24°C, press it again to set the freezer chamber at -16°C, with a setting range of -24 ~ -16°C. The settings take effect after locking.

e| Mode setting

Vacation mode

When the vacation mode is set by pressing the vacation key, the fridge function will be turned off, the fridge temperature display area will go out, and the freezer temperature will be automatically set to -18°C;

Press the Freeze/Super cool and Super Freezing keys to exit the vacation mode.

When the Freeze key is adjusted to exit the vacation mode, the refrigeration/freezing function will automatically return to the set temperature before the vacation mode; when the Super cool and Super Freezing key is adjusted to exit the vacation mode, the refrigeration/freezing function will automatically return to the set temperature.

Super cool mode

Press the Super cool key to set/cancel the Super cool mode, and the corresponding Super cool icon lights up/goes out; when the Super cool mode is set, the refrigeration temperature will be automatically set at 2°C; when exiting the Super cool mode, the refrigerator chamber will automatically return to the set temperature before the Super cool mode. Automatically exit for up to 6 hours.

Super Freezing mode

Press the Super Freezing key to set/cancel the Super Freezing mode, and the corresponding Super Freezing icon will light up/go out; when the Super Freezing mode is set, the freezing temperature will be automatically set at -24°C; when exiting the Super Freezing mode, the setting temperature of the freezer chamber will automatically return to the setting temperature before the Super Freezing mode. Automatically exit for up to 40 hours.

Door open timeout alarm

After the door has been open for more than 2 minutes, three alarms beeps will sound, thereafter the alarm beeps will increase by one every one minute to a maximum of 30 times. Close the door or press any button to cancel this alarm beep.

f| Description of human sensing

• When the person is close to the front of the refrigerator door, the blue light will be on after being sensed; After the person leaves, the blue light will go out with a delay of 30 seconds.

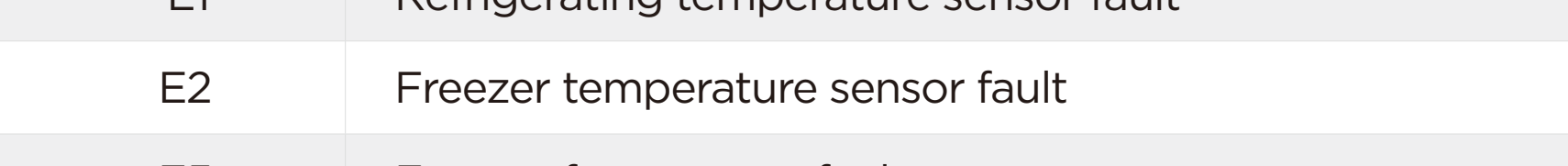
• When the refrigerating door is open, the blue light is on; when the refrigerating door is closed and the freezing door is open, the white light is on.

• There is a sensing blind area on the door opening side.

• It is not sensitive to some dark-colored clothes, such as wool and stripes items.

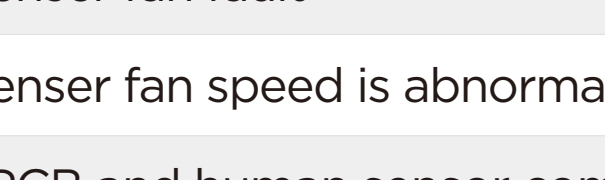
g| Humidity adjusting shelf-fruit and vegetable box cover

The pick can be adjusted left and right to adjust the humidity



h| The Precautions of infinite door tray

Hold the base upwards, and the infinite door tray will rise. Unlock by pulling the handle outwards, the infinite door tray will drop with gravity.



i| The Precautions of infinite glass shelf

To avoid collision with the items on the lower shelf during the process of adjusting the sliding shelf backwards, please do not any items tightly under the rear of sliding shelf.



j| Fault indication

The following warnings appearing on the display indicate corresponding faults of the refrigerator. Though the refrigerator may still have cold storage function with the following faults, the user shall contact a maintenance specialist for maintenance, so as to ensure optimized operation of the appliance.

Fault Code	Fault Description
E1	Refrigerating temperature sensor fault
E2	Freezer temperature sensor fault
E5	Freezer frost sensor fault
E6	Main control PCB and Display PCB Communication fault
E7	Ambient temperature sensor fault
EH	Fault of the humidity sensor
L3	Freezer fan fault
L4	Freezer fan speed is abnormal
L5	Condenser fan fault
L6	Condenser fan speed is abnormal
c8	Main PCB and human sensor communication failure

k| Changing the light

Any replacement or maintenance of the LED lamps is intended to be made by the manufacturer, its service agent or similar qualified person.

• | Attention

This product contains a light source of energy efficiency class (G).

Maintenance Tips

Overall cleaning

- Disconnect the appliance from the electrical supply before undertaking any routine maintenance. Allow at least 5 minutes before restarting the appliance, as frequent starting may damage the compressor.
- Do not use mechanical devices or other means to accelerate the defrosting process, other than those recommended by the manufacturer.
- Do not try to repair, disassemble or modify the appliance by yourself. In case of repair please contact our customer service.
- Eliminate the dust on the back of the unit at least once in the year to avoid hazard by fire, as well as increased energy consumption.
- Check the door gasket regularly to make sure there are no debris. Clean the door gasket with a soft cloth dampened with soapy water or diluted detergent.
- The interior of the product should be cleaned regularly to avoid odor.
- Use a soft cloth or sponge to clean the inside of the product, with two tablespoons of baking soda and a quart of warm water. Then rinse with water and wipe clean. After cleaning, open the door and let it dry naturally before turning on the power.
- For areas that are difficult to clean in the product (such as narrow sandwiches, gaps or corners), it is recommended to wipe them regularly with a soft rag, soft brush, etc. and when necessary, combined with some auxiliary tools (such as thin sticks) to ensure no contaminants or bacteria accumulation in these areas.
- Wipe the outer surface of the product with a soft cloth dampened with soapy water, detergent, etc., and then wipe dry.
- Do not use hard brushes, clean steel balls, wire brushes, abrasives (such as toothpastes), organic solvents (such as alcohol, acetone, Isoamyl acetate, etc.), boiling water, acid or alkaline items, which may damage the fridge surface and interior. Boiling water and organic solvents such as benzene may deform or damage plastic parts.
- Do not rinse directly with water or other liquids during cleaning to avoid short circuits or affect electrical insulation after immersion.



• | Notes:

The appliance shall run continuously once it is started. Generally, the operation of the appliance shall not be interrupted; otherwise the service life may be impaired

Defrosting

Although this appliance automatically defrosts, a layer of frost may occur on the freezer compartment's interior walls if the freezer door is opened frequently or kept open too long. If the frost is too thick, choose a time when the supply of food stocks are low and proceed as follows:

1. Remove existing food and accessories baskets, unplug the appliance from the mains power and leave the doors open. Ventilate the room thoroughly to accelerate the thawing process.
2. When defrosting is completed, clean your freezer as described above.

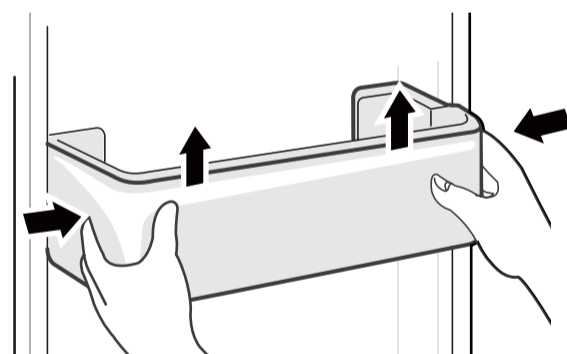
• | CAUTION!

Don't use sharp objects to remove frost from the freezer. Only after the interior completely dry should the appliance be switched back on and plugged back into the mains socket

Cleaning of door tray

According to the direction arrow in the figure below, use both hands to squeeze the tray, and push it upward, then you can take it out.

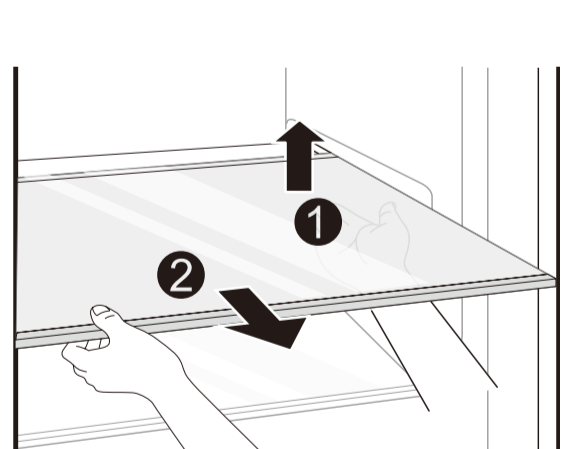
After washing the tray having been taken out, you can adjust its installing height in accordance with your requirement.



Cleaning of glass shelf

As the innermost part of the refrigerator liner where contacting the shelves has a backstop, you shall raise the shelves upward, then you can be able to take it out.

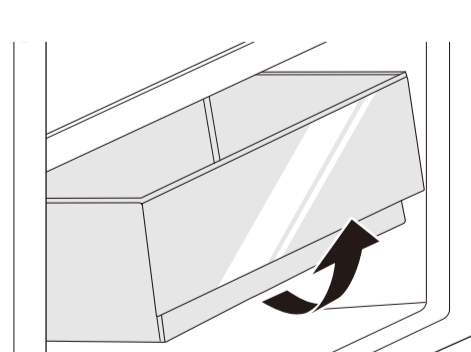
Adjust or clean the shelves according to your requirement.



Cleaning the vegetable drawer

Remove the contents of the drawer. Hold the handle of the vegetable drawer and pull it out completely until it stops.

Lift the vegetable drawer up and remove it by pulling it out.



• | Notes:

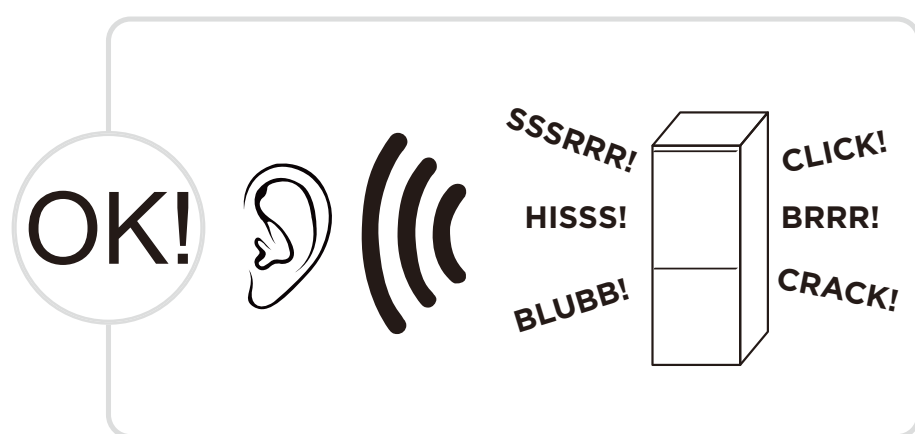
Differences: Due to technical changes and different models, some of the illustrations in this manual may differ from your model.

Troubleshooting

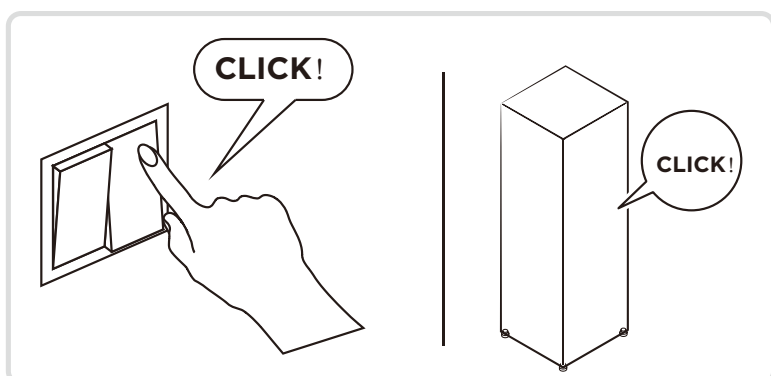
You may try to solve the following simple problems by yourself. If they cannot be solved, please contact the after-sales department.

Failed operation	<ul style="list-style-type: none"> • Check whether the appliance is connected to power or whether the plug is in well contact • Check whether the voltage is too low • Check whether there is a power failure or partial circuits have tripped
Odor	<ul style="list-style-type: none"> • Odorous foods shall be tightly wrapped • Check whether there is any rotten food • Clean the inside of the refrigerator
Long-time operation of the compressor	<ul style="list-style-type: none"> • Long operation of the refrigerator is normal in summer • when the ambient temperature is high It is not suggestible having too much food in the appliance at the same time • Food shall get cool before being put into the appliance • The doors are opened too frequently
Light fails to get lit	<ul style="list-style-type: none"> • Check whether the refrigerator is connected to power supply and whether the illuminating light is damaged • Have the light replaced by a specialist
Door can not be properly closed	<ul style="list-style-type: none"> • The door is stuck by food packages Too much food is placed • The refrigerator is tilted.
Loud noises	<ul style="list-style-type: none"> • Check whether the floor is level and whether the refrigerator is placed stably • Check whether accessories are placed at proper locations
Door seal fails to be tight	<ul style="list-style-type: none"> • Remove foreign matters on the door seal • Heat the door seal and then cool it for restoration • (or blow it with an electrical drier or use a hot towel for heating)
Water pan overflows	<ul style="list-style-type: none"> • There is too much food in the chamber or food stored contains too much water,resulting in heavy defrosting • The doors are not closed properly, resulting in frosting due to entry of air and increased water due to defrosting
Hot housing	<ul style="list-style-type: none"> • Heat dissipation of the built-in condenser via the housing, which is normal When housing becomes hot due to high ambient temperature, storage of too much food or shutdown of the compressor is shut down, provide sound ventilation to facilitate heat dissipation
Surface condensation	<ul style="list-style-type: none"> • Condensation on the exterior surface and door seals of the refrigerator is normal when the ambient humidity is too high. Just wipe the condensate with a clean towel.
Abnormal noise	<ul style="list-style-type: none"> • Buzz: The compressor may produce buzzes during operation, and the buzzes are loud particularly upon start or stop. This is normal. • Creak: Refrigerant flowing inside of the appliance may produce creak, which is normal.

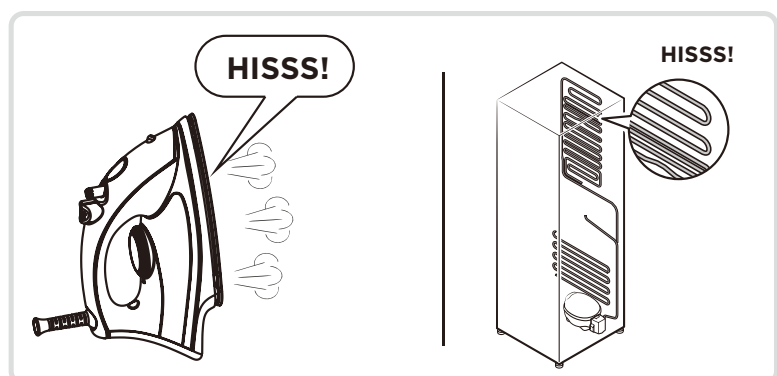
Do you hear these abnormal sounds as below? Usually these sounds are normal.



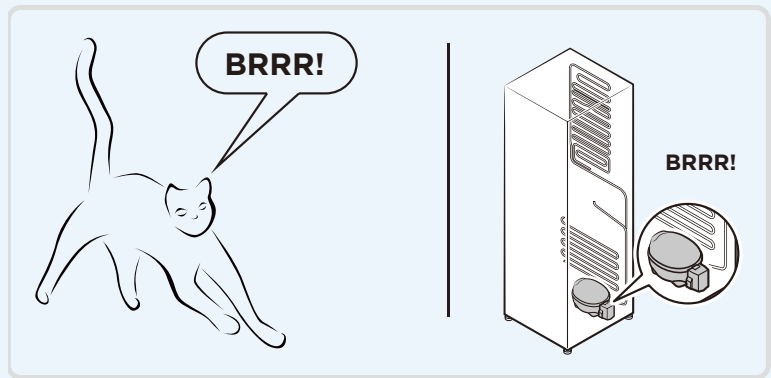
CLICK: Some electrical parts in the refrigerator, such as electric valve will make this noise when working. This is normal.



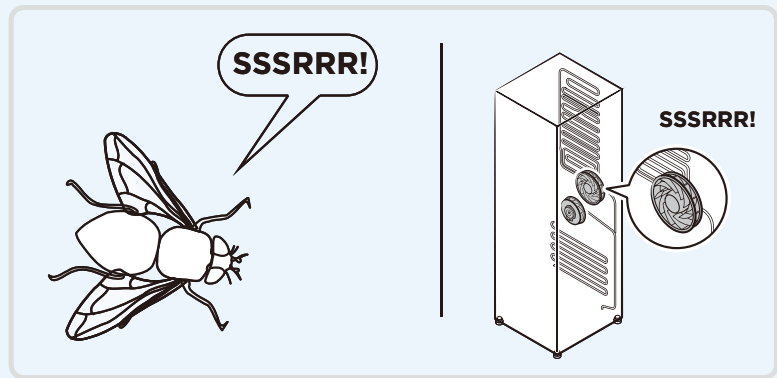
HISS: When the refrigerant flows into the evaporator, it will make this noise. This is normal.



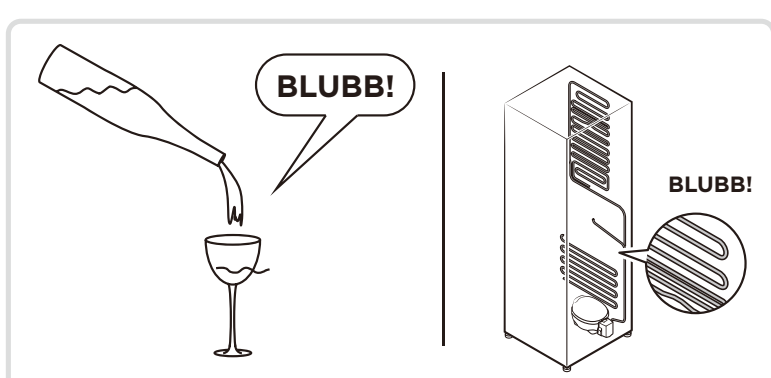
BRRR: The compressor will make this noise when working, and the buzzes are loud particularly upon start or stop. This is normal.



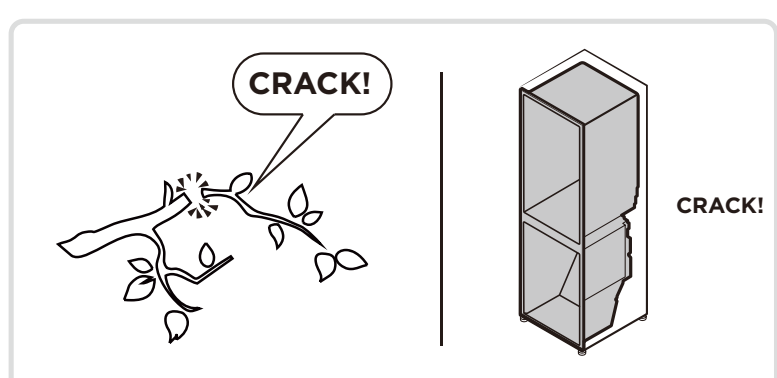
SSRRR: The fan motor in the No frost refrigerator will make this noise when working. This is normal.



BLUBB: Refrigerant flowing through the pipes in the refrigerator will make this noise. This is normal.



CRACK: Cracking sound or broken ice sound: the overall structure of the refrigerator, air duct frost will be with the thermal expansion and contraction of the expansion sound, these are also normal physical phenomenon.



Tips & Tricks

Storing food

Freezer compartment

The freezer compartment is designated for the low-temperature freezing of food, long-term storage of frozen food, and for the production of ice cubes.

Do not put fresh and frozen food next to each other. The frozen food may thaw.

When freezing large amounts of fresh food (such as meat, fish or chopped meat), please divide them into several small pieces before putting in, so that they can be quickly frozen and pick up easily.

Abide by the storage times recommended by food manufacturers on the packages, there is no information on the packaging, food should not be stored frozen for longer than three months from the date of purchase.

When purchasing frozen food, make sure that it was frozen at a suitable temperature and that the packaging is not damaged.

Frozen food should be kept in suitable individual packages to ensure that adjacent food cannot be contaminated. Consume thawed and defrosted foods immediately, do not refreeze them.

In case of prolonged power failure or malfunction of the appliance, remove the stored frozen food and check whether they are still edible, then store them in a sufficiently cool place or in another appliance.

To defrost food, remove it from the freezer and let it defrost at room temperature or in the refrigerator. To defrost food quickly, you can use the defrost function on your microwave, for example.

If you only want to defrost part of a pack, remove the portion you need and immediately close the rest of the pack. In this way, you will avoid "freezer burn" and will reduce ice formation on the remaining foods.

Refrigerator compartment

The Refrigerator compartment is the ideal storage location for ready meals, cakes and pastries, preserved food, condensed milk, milk, cheese, spreads, sauces, dips and eggs.

The freshness at point of purchase is important for the shelf-life of your food. In principle, the fresher the produce when placed in the crisper drawers, the longer it stays fresh. Therefore, when buying food, always pay attention to the degree of freshness.

Never put warm foods in the fridge compartment. These should first cool down at room temperature and then be placed so as to ensure adequate air circulation in the fridge compartment.

Meat and clean fish (packed in a package or plastic foil) can be placed in the fridge compartment, which can be used in 1-2 days.

Fruit and vegetables without packaging can be placed in the part designated for fresh fruit and vegetables.

• | Notes:

Storage of too much food during operation after the initial connection to power may adversely affect the freezing effect of the refrigerator.

Storage times and temperature

Note: Overlong storage or storage at inappropriate freezing temperature may cause a quality loss or spoiled foods, which causes food waste, is inedible and may cause food poisoning. The minimum temperature in most cases should be -18°C or colder. Follow the maximum recommended storage times below:

- Stew, ice cream, sausages, bread: 2-6 months.
- Fish, shrimp, lamb, meat: 4-8 months.
- Vegetables, fruits, poultry, beef: 6-12 months.

Tips for energy saving

Do not place the appliance near cookers, radiators or other heat sources. If the ambient temperature is high, the compressor will run more frequently and for longer, resulting in increased energy consumption.

Ensure that there is sufficient ventilation at the base of the appliance, on the sides of the appliance and at the back of the appliance.

Please also observe the spacing dimensions in the chapter **"Installation"**.

An evenly filled refrigerator/freezer compartment contributes to optimal energy use.

Allow warm food to cool before placing it in the refrigerator/freezer compartment. Food that has already cooled down increases energy efficiency.

Allow frozen food to defrost in the refrigeration compartment. The coldness of the frozen food reduces the energy consumption in the refrigerator compartment and thus increases the energy efficiency.

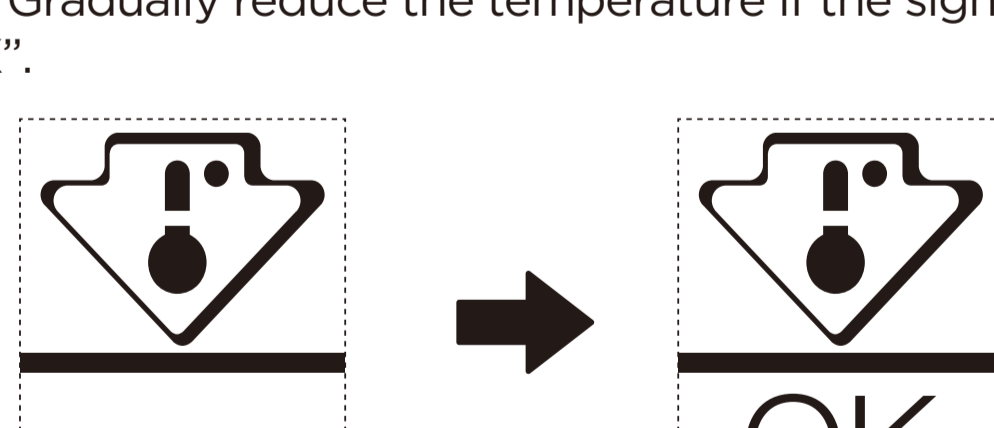
Setting the temperature no colder than necessary contributes to optimal energy use.

The door gaskets of your appliance must be perfectly intact so that the doors close properly and energy consumption is not increased unnecessarily.

Coldest zone in the refrigerator

OPTIONAL: OK-temperature indicator

The OK-temperature indicator can be used to determine temperatures below +4°C. Gradually reduce the temperature if the sign does not indicate "OK".



To ensure the temperature in this area, do not change the positioning of the shelf. In forced air refrigerators (equipped with a fan or No Frost models), the symbol of the coldest zone is not represented because the temperature inside is homogeneous.

Temperature indicator setting

To help you set your refrigerator well, it is equipped with a temperature indicator that will monitor the average temperature in the coldest zone.

WARNING: This indicator is intended to work only with your refrigerator, do not use it in another refrigerator (in fact, the coldest zone is not the same), or for any other use.

Checking the temperature in the coldest zone

With the temperature indicator, you can check regularly that the temperature of the coldest zone is correct. Indeed, the internal temperature of the refrigerator depends on several factors such as the ambient temperature of the room, the amount of food stored and the frequency of door opening. Take these factors into consideration when setting the device.

When the indicator shows « OK », this means that your thermostat is well adjusted and the internal temperature correct.

If the indicator of temperature turns WHITE, this means that the temperature is too high; in this case, increase the refrigerator temperature control setting and wait for 12 hours before performing a new visual inspection of the indicator. When fresh food has been introduced or the door has been left open, it is possible for the indicator of temperature to turn WHITE after a while.

Doors Reversal

Based on the location where you plan to use your refrigerator, you may find it more convenient to reverse the position of the door.

• | **CAUTION**

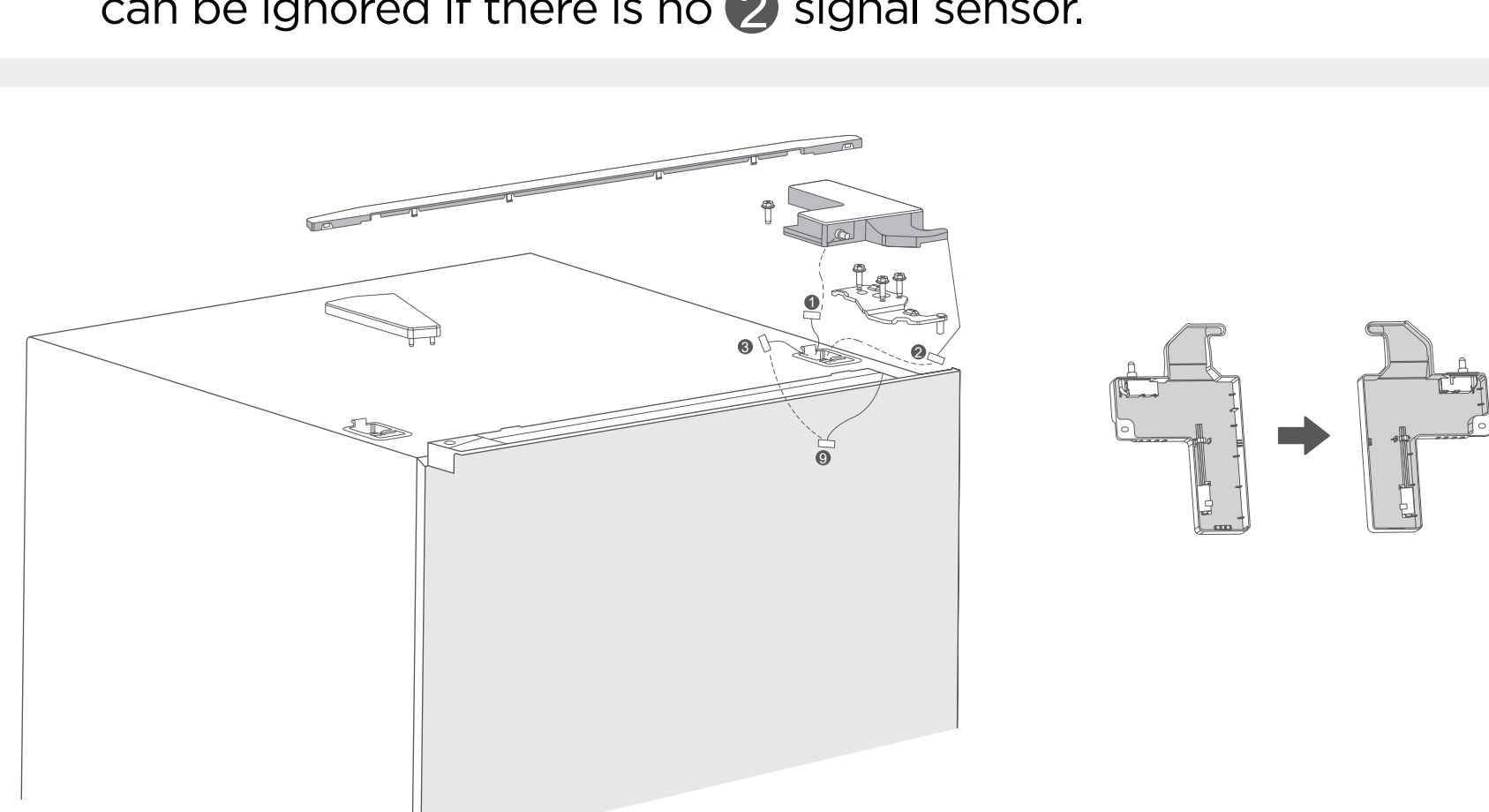
To avoid injury to yourself or your property, we recommend that someone assist you during the door reversal process.

Preparing to reverse the door position

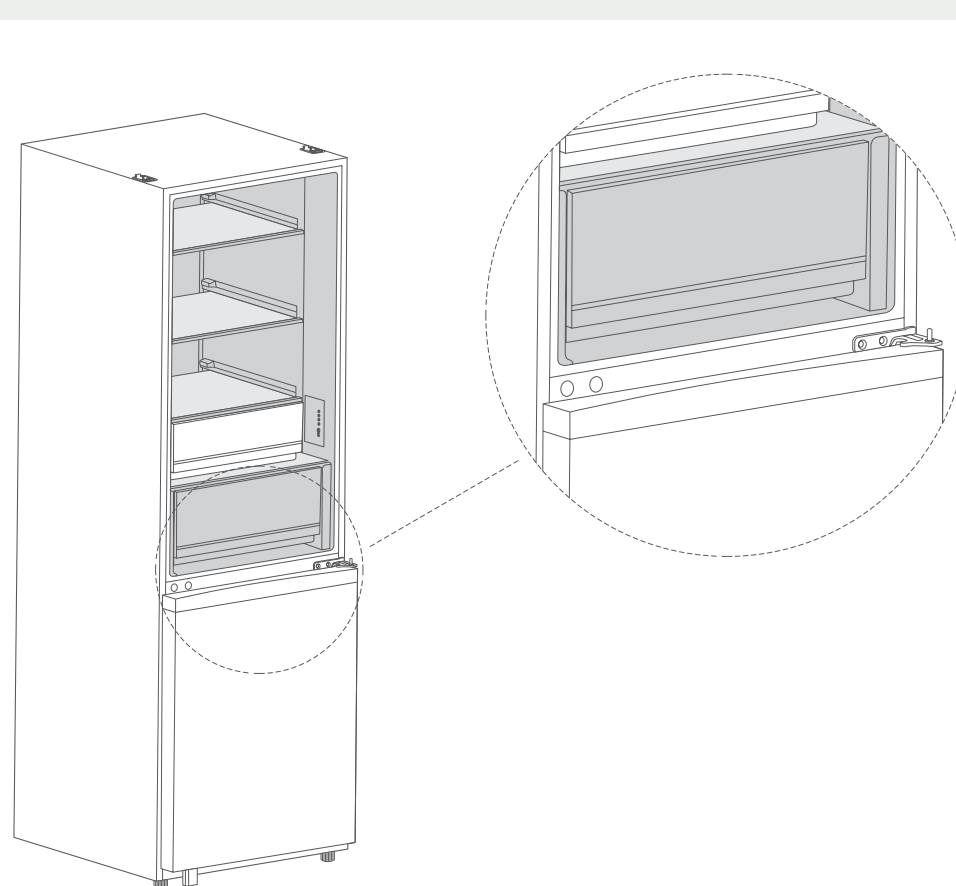
- Make sure that your refrigerator is unplugged and empty.
- Have someone available to assist you in the process.
- Keep all of the parts you remove to reuse them later.

Steps:

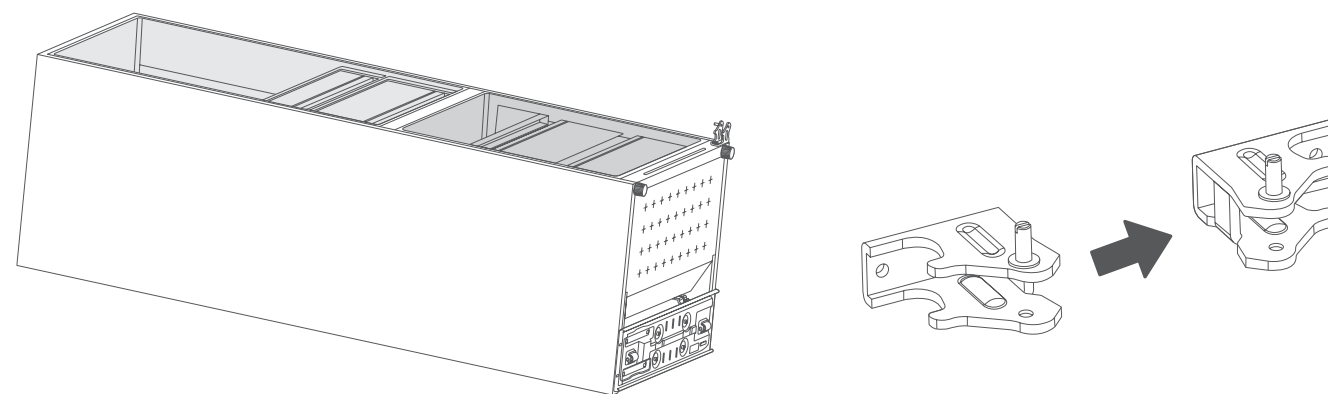
1. Remove the items from the door body.
2. Remove the left upper hinge decorative cover, right upper hinge cover and right upper hinge. Disconnect the signal lines on the right side of the fridge top. There are three lines in total: ① signal line (switch to be reserved), ② signal line (sensor to be reserved) and ③ signal line (connecting line to be reserved). The signal line ⑨ on the top of the door body needs to be disconnected. The ② signal line is used for some products and can be ignored if there is no ② signal sensor.



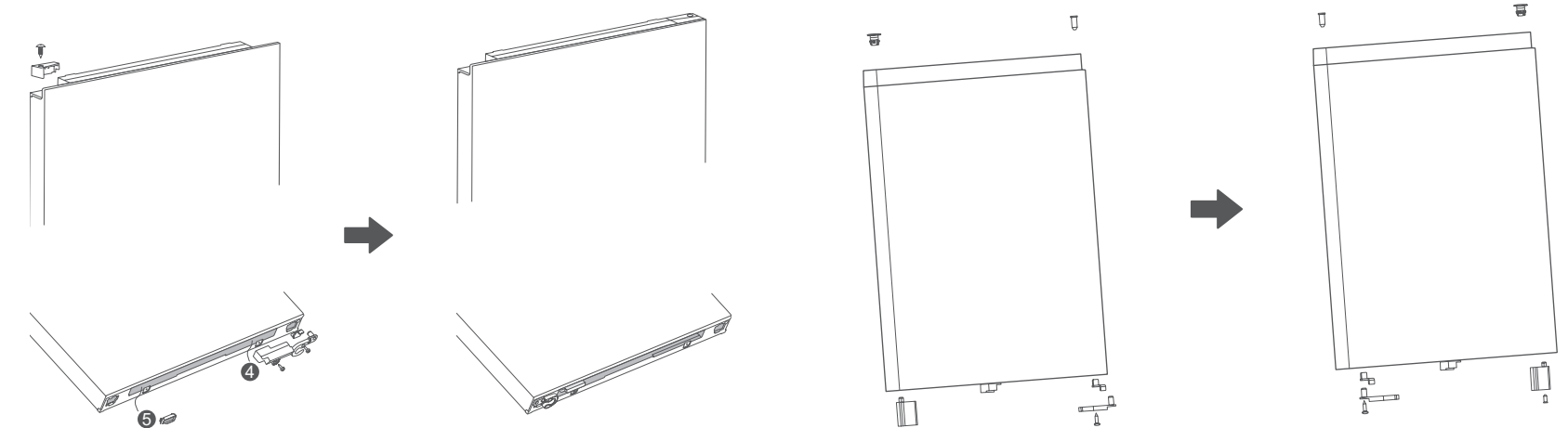
3. **Remove the refrigeration door body (pay attention not to lose small parts such as door stoppers);** Remove the middle hinge for backup use and remove the hinge hole decorative cover, cap, and screws on the other side.



4. **Remove the freezer door body (be careful not to lose small parts such as the shaft sleeves and door stoppers);** Remove the lower hinge, remove the lower hinge shaft and install it on the other side of the hinge, remove the lower hinge, remove the lower hinge shaft and install it on the other side of the hinge for backup use.

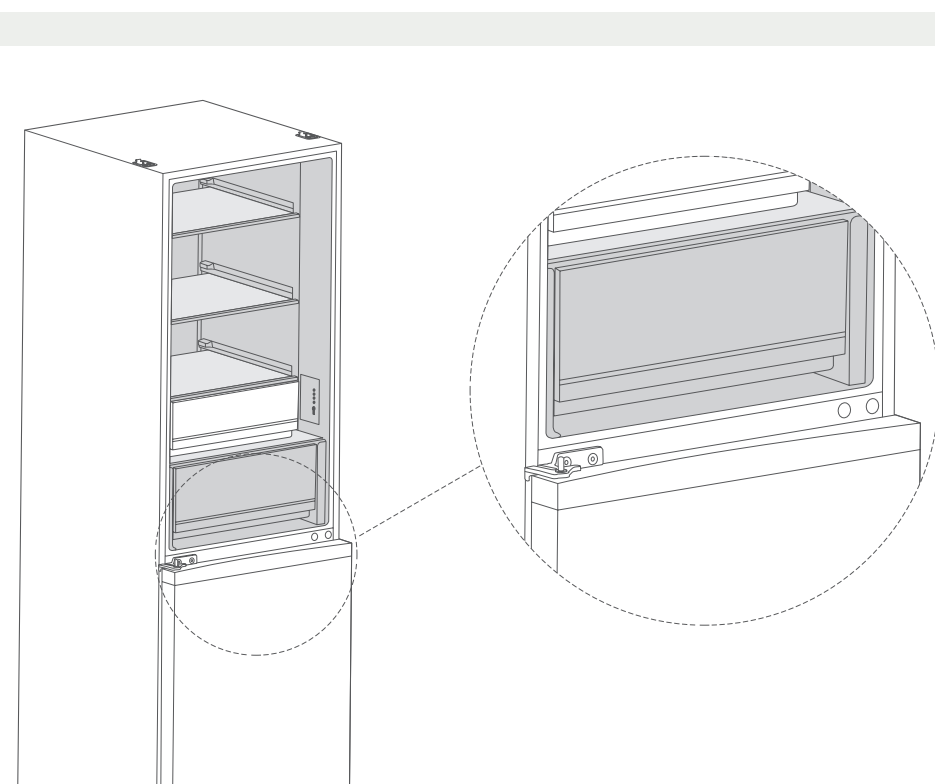


5. **Refrigeration door replacement;** Remove the left trim cover, take out the right trim cover from the accessory bag and install it on the other side of the upper end cap; remove the fridge door self-locking and door stop, take out the left door self-locking from the accessory bag, and install the door stop and left door self-locking to the left side of the lower end cap of the door in turn. Remove the bottom screws, disconnect the ④ signal line, remove the recognized human detect sensor module (reserved) and insert the wiring harness into the hole. Remove the left bottom cover and install it to the right bottom. Pull out the ⑤ signal line, connect it with the recognized human detect sensor module, fix it and tighten the screw. All wire harnesses must be fully inserted into the slots to avoid exposure

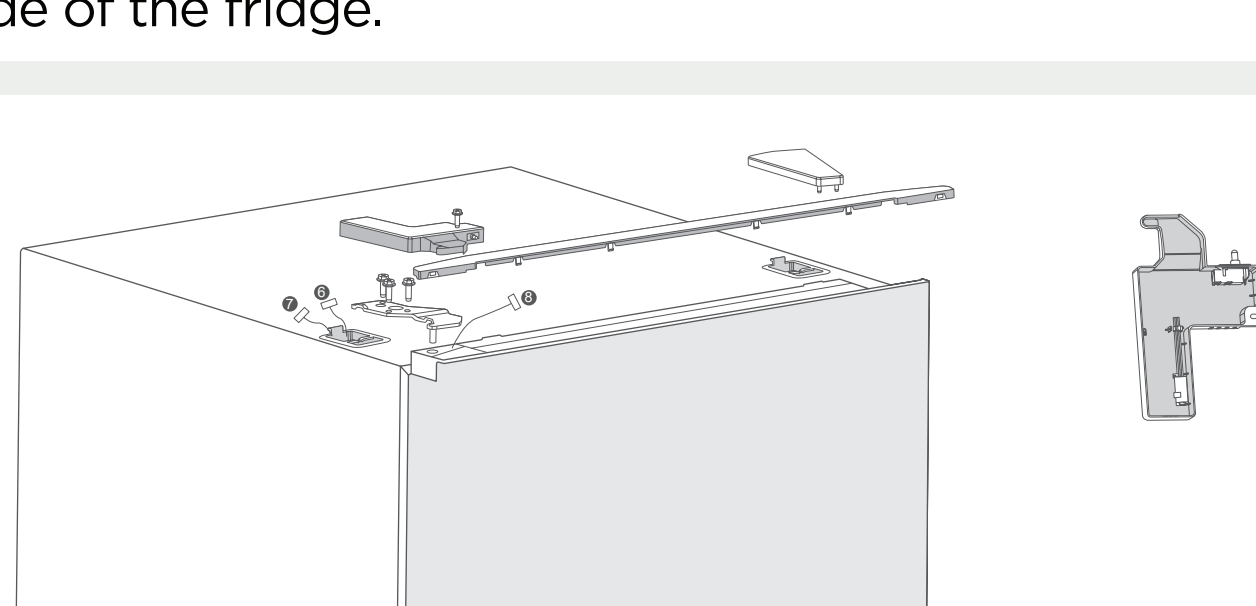


6. **Freezer door switch;** Remove the upper end cap sleeve of the freezer door, and install the cap in the left and right interchangeable positions; Remove the freezer door self-locking, the door stopper and the door support, remove the left door self-locking from the accessory package, install the door stopper and the left door self-locking to the left side of the freezer lower end cover in turn, and install the door support to the right side of the freezer lower end cover.

7. Install the middle hinge and install the refrigeration door on the middle hinge, then install the lower hinge and cover the hinge hole decorative cover.



8. Take out the left upper hinge cover and the left upper hinge from the accessory bag, remove the switches, sensors and connecting lines installed on the right hinge cover, and install them onto the left upper hinge cover; Place the fridge door body on the middle hinge and install the left upper hinge; Connect the ⑥ signal line on the left side of the refrigerator with the switch, connect the ⑦ signal line with the sensor (this step can be omitted when there is no sensor), connect the ⑧ signal line with the connecting line, fix the ⑨ door body line in another direction on the left side of the refrigerator to connect it with the connecting line; Then cover and fix the left hinge cover, and finally install the hinge decorative cover on the right side of the fridge.



• | **NOTE**

Differences: Due to technical changes and different models, some of the illustrations in this manual may differ from your model.