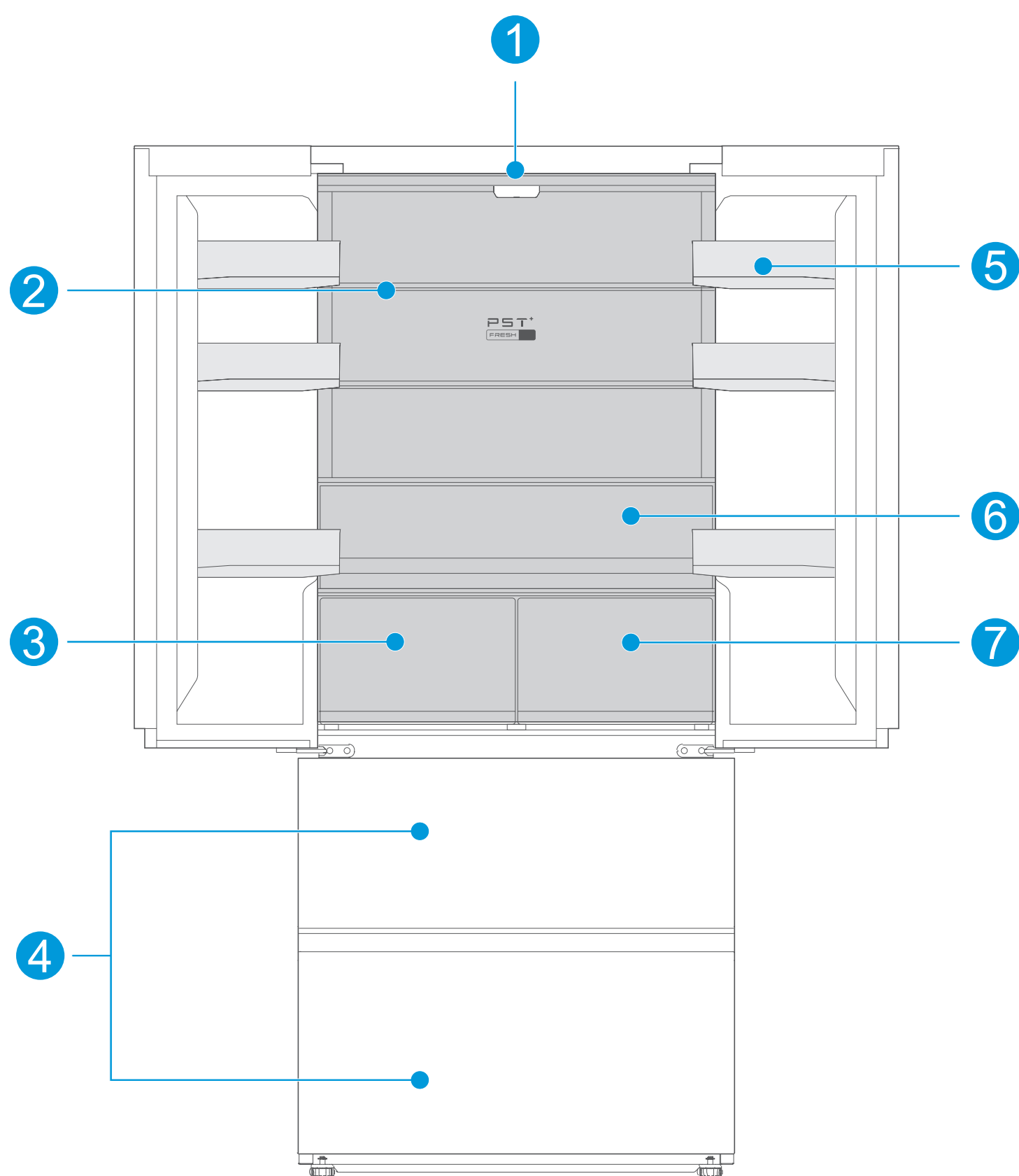


# Product Overview

## Product Introduction



- |   |                             |   |                          |
|---|-----------------------------|---|--------------------------|
| 1 | LED Light                   | 2 | Shelf                    |
| 3 | Variable Temperature Drawer | 4 | Freezer Drawer           |
| 5 | Fridge Door Bin             | 6 | Fruit & Vegetable Drawer |
| 7 | Fresh Drawer                |   |                          |

- For the most efficient use of energy, please keep the all internal items such as trays, drawers, shelves and ice cube box on the position supplied by manufacturer.

### • | Attention

**Differences:** Due to technical changes and different models, some of the illustrations in this manual may differ from your model.

## Technical Parameters

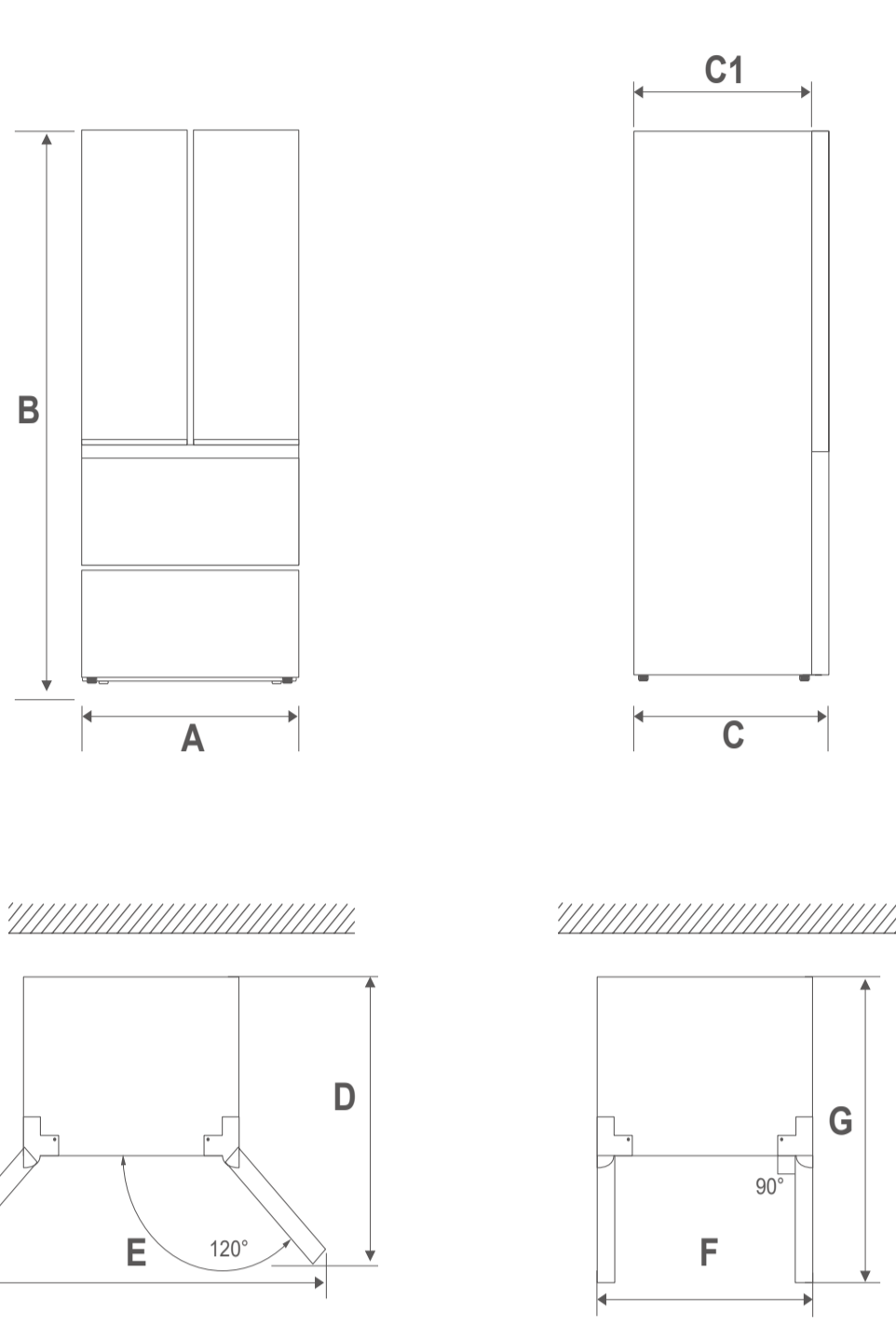
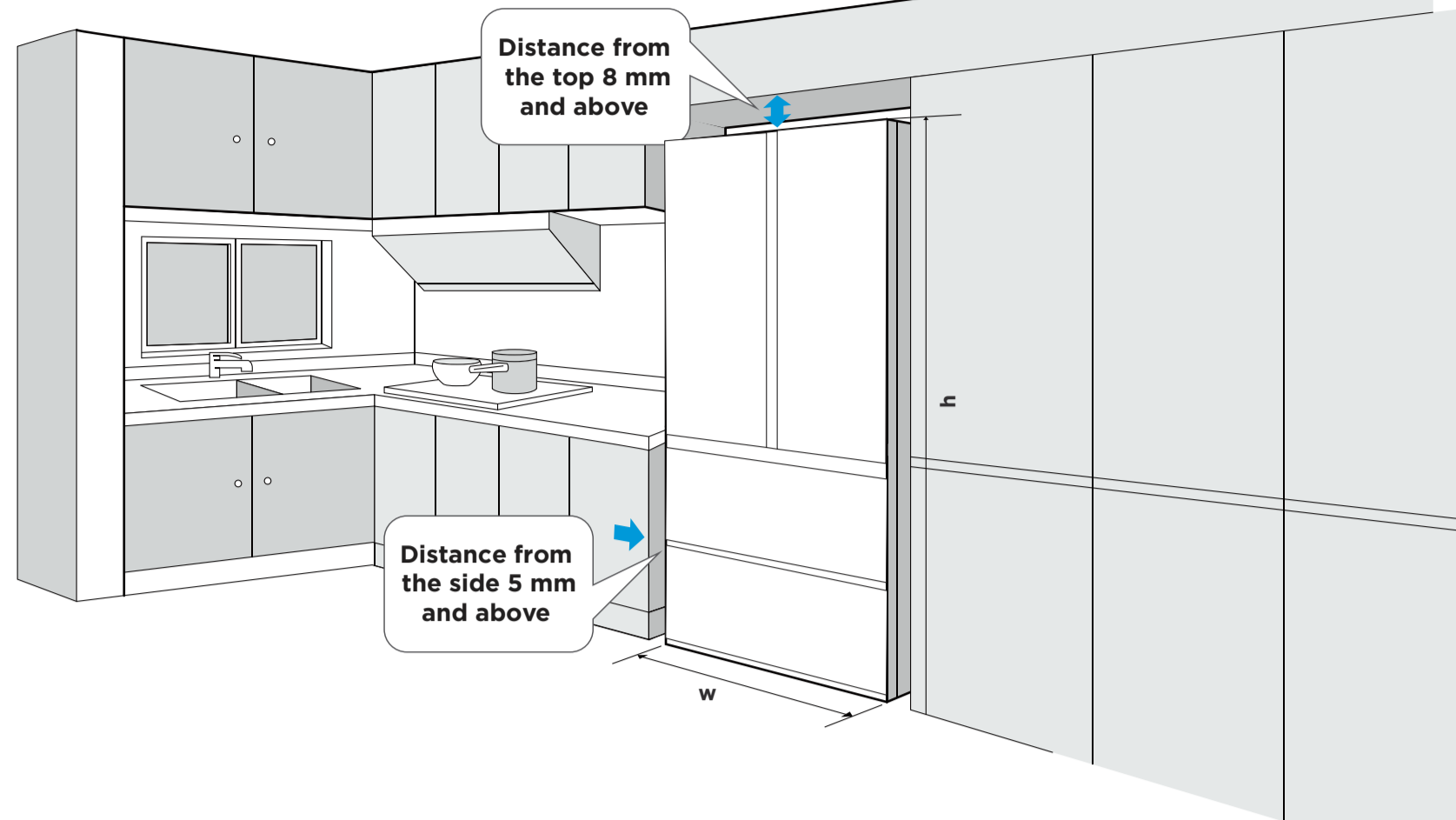


| Wireless network module    | MWB-S-WB01                    |
|----------------------------|-------------------------------|
| Standard                   | IEEE 802.11b/g/n              |
| Antenna Type               | Printed PCB antenna           |
| Frequency Band             | 2400-2483.5 MHz               |
| Operating Temperature      | 0 °C - 85 °C / 32 °F - 185 °F |
| Operation Humidity:        | 10% - 85%                     |
| Maximum Transmission Power | <20 dBm                       |
| Power Input                | DC5V/500mA                    |

# Product Installation

## Space requirement diagram

To ensure the normal operation of the refrigerator, enough space shall be reserved around the refrigerator to maintain air circulation. A distance greater than or equal to 8mm shall be reserved at the top of the refrigerator, and a distance greater than or equal to 5mm shall be reserved on both sides.



| A   | B    | C   | C1  | D   | E    | F   | G   |
|-----|------|-----|-----|-----|------|-----|-----|
| 753 | 1910 | 600 | 540 | 910 | 1150 | 753 | 944 |

Notice: All dimensions in mm

## Leveling feet

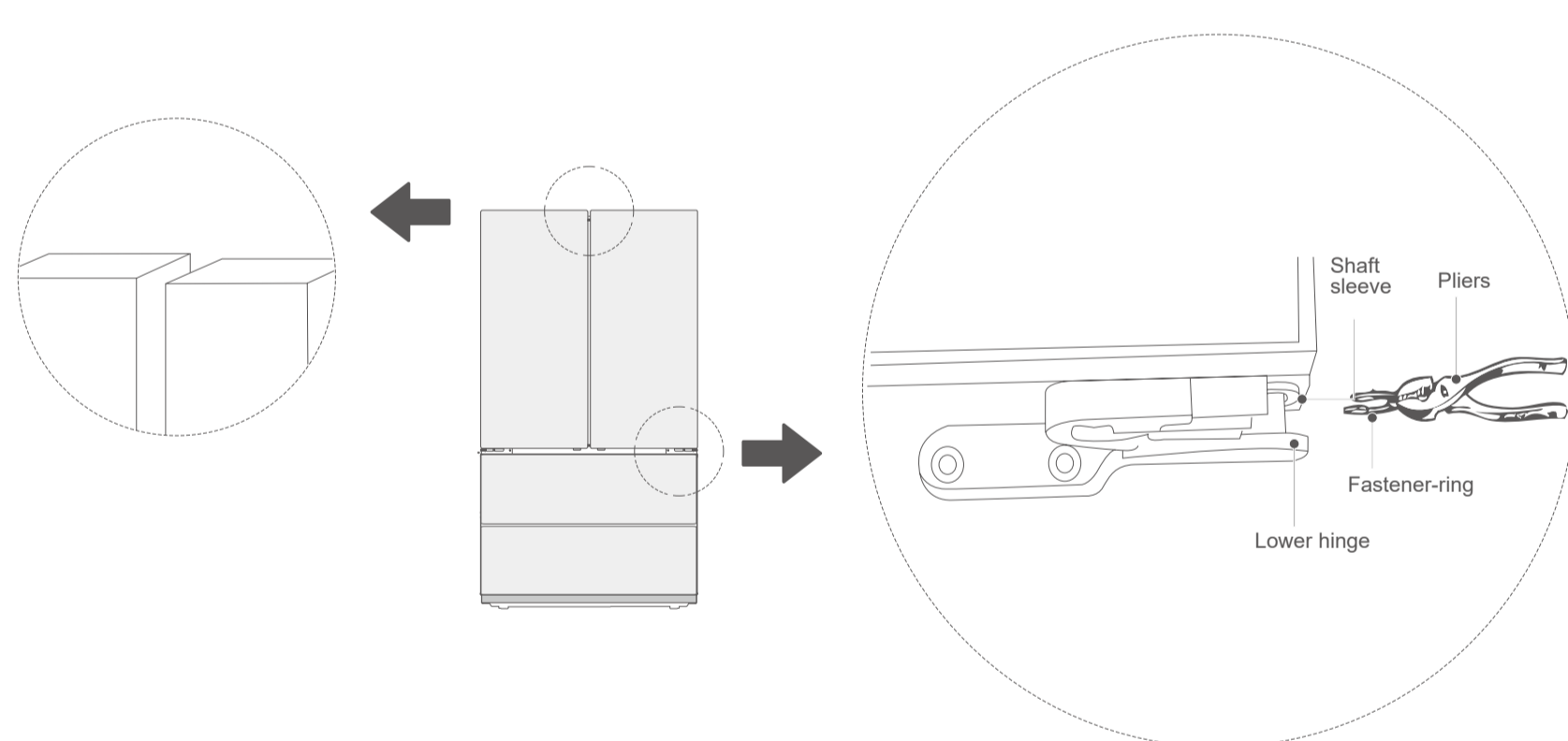
- To avoid vibration, the appliance must be leveled.
- If required, adjust the leveling feet to compensate for the uneven floor.
- The front should be slightly higher than the rear to aid in door closing.
- Leveling feet can be turned easily by tipping the cabinet slightly.
- Turn the leveling feet counter clockwise ↺ to raise the unit, clockwise ↻ to lower it.

## Aligning the Doors

### Tools to be provided by the user

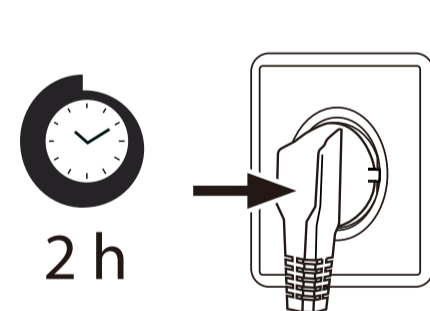


Pliers



## Connecting the appliance

After installing the product, please let it stay for more than 2 hours before turning on the power, otherwise it will lead to a decrease in cooling capacity or a damage to the product.



Allow the appliance to run empty for 24 hours so the compartment can cool to the appropriate temperature.

### • | CAUTION

The refrigerator should always be plugged into its own individual electrical outlet which has a voltage rating that matches the rating plate.

**WARNING:** When positioning the appliance, ensure the supply cord is not trapped or damaged.

## Ambient Temperature

Depending on the climate class, this refrigerator is intended to be used at an ambient temperature range as specified in the following table.

The product may not operate properly at temperatures outside of the specific range.

You can find the climate class on the product label.

| Climate Class | Ambient Temperature |
|---------------|---------------------|
| SN            | +10 °C to +32 °C    |
| N             | +16 °C to +32 °C    |
| ST            | +16 °C to +38 °C    |
| T             | +16 °C to +43 °C    |

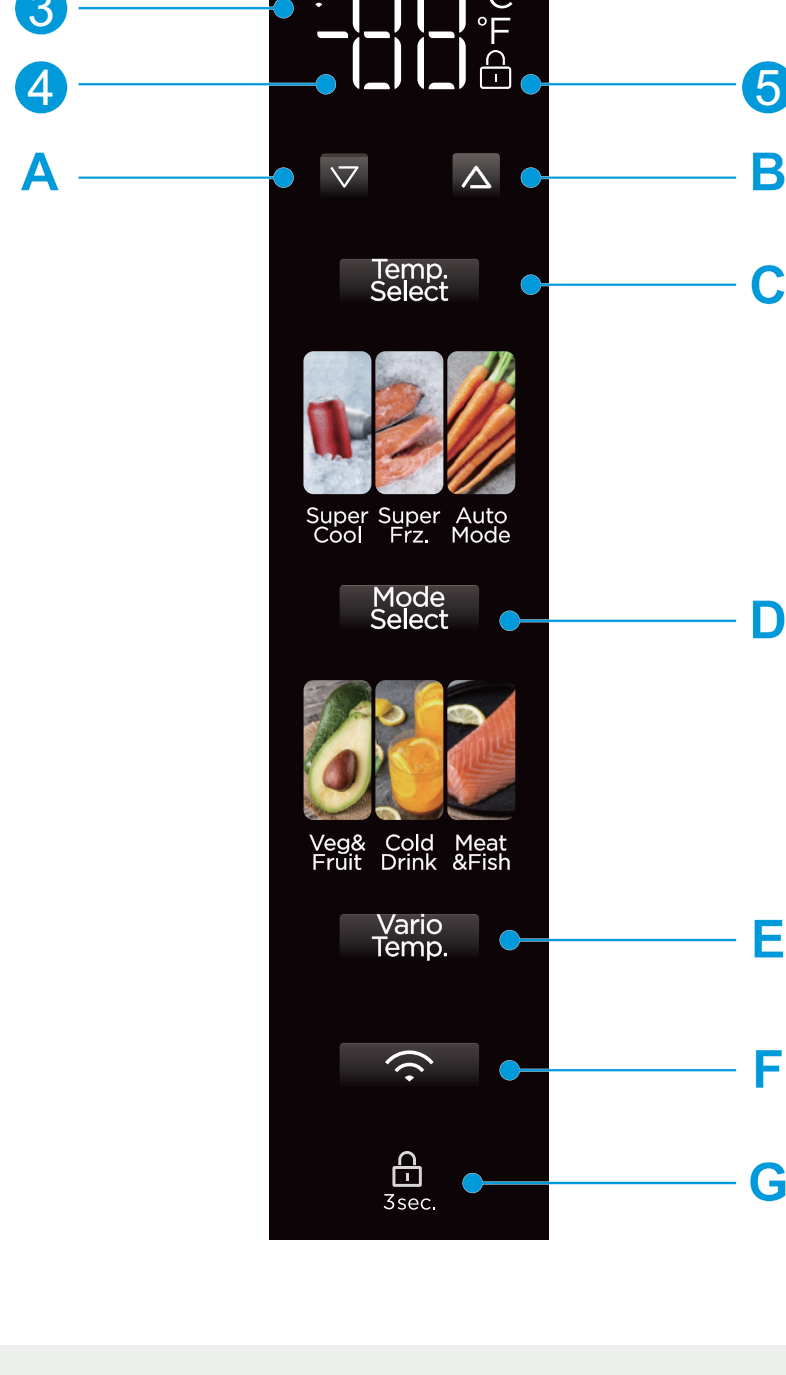
**If you have any doubts regarding installation, please turn to the vendor, to our customer service or to the nearest Authorised Service Centre.**

### • | Tips

The cooling performance and power consumption of the refrigerator may be affected by the ambient temperature, the door-opening frequency, and the location of the refrigerator. We recommend adjusting the temperature settings as appropriate.

# Product Operation

## Control panel



### Icons

- 1 Refrigerator Icon
- 2 Freezer icon
- 3 Wireless network icon
- 4 Temperature display icon
- 5 Lock and unlock icon

### Buttons

- A Temperature-down button
- B Temperature-up button
- C Temperature zone selection
- D Mode selection button
- E Variable temperature selection
- F Wireless network button
- G Lock and unlock button

### • | Attention

**Differences:** Due to technical changes and different models, some of the illustrations in this manual may differ from your model.

## Operation Instruction

### a| Unlock and lock

- In the locked state, press and hold the [Lock/Unlock] button for 3s to enter the unlocked state, and the lock buzzer will sound. In the unlocked state, press and hold the [Lock/Unlock] button for 3s to enter the locked state, and the lock buzzer will sound.

### b| Refrigerator Chamber Temperature Setting

Press the temperature zone selection button, and the refrigeration temperature zone indicator lights up. You can press “▽” or “△” button to adjust the temperature of the refrigerator chamber.

### c| Freezer Chamber Temperature Setting

Press the temperature zone selection button, and the freezer temperature zone indicator lights up. You can press “▽” or “△” button to adjust the temperature of the freezer chamber.

### d| Refrigeration OFF/ON

Press the [Temperature Zone Selection] button to select the refrigeration temperature zone (indicated by the illuminated refrigeration zone indicator light), and then press and hold the [Temperature Zone Selection] button. When the temperature display shows “--”, it indicates that the refrigeration temperature zone has been closed, and the setting will take effect after locking.

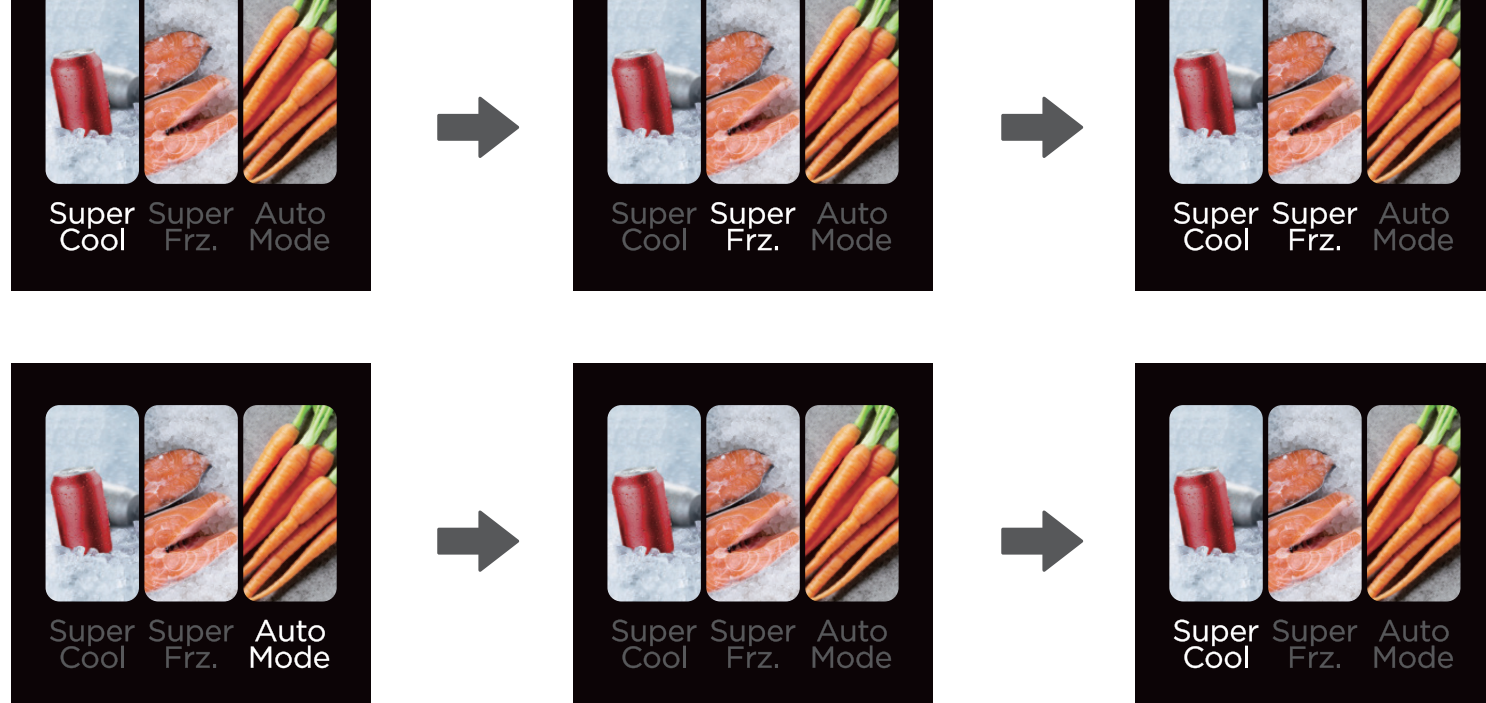
When the refrigeration temperature zone is closed, press the [Temperature Zone Selection] button to select the refrigeration temperature zone, and then press and hold the [Temperature Zone Selection] button. When the temperature returns to normal display, it means that the refrigeration temperature zone is activated, and the setting will take effect after locking.

### e| Door Opening Alarm

When the refrigerator’s refrigerator door remains open continuously for 120 seconds, the refrigerator emits a brief alarm sound to signal that the door is not closed. Please promptly close the door or press any key on the display screen to silence the alarm.

### f| Quick Cooling/Quick Freezing Mode Setting

After unlocking, press the [Mode Selection Function] button to cycle through the following modes in a continuous loop.



When refrigeration is turned off, the mode will cycle through the following modes in a continuous loop.



### g| Variable Temperature Function Setting

After unlocking, click the [Variable Temperature Function] button, and the display area (fruits and vegetables, beverage, meat) will light up in a cycle. Select the corresponding mode, which will take effect after locking.



### • | Attention

The super freeze function is designed to maintain the nutritional value of the food in the freezer. It can freeze the food in the shortest time. If a large amount of food is frozen at one time, it is recommended that the user turn on the super freeze function and put the food in. At this time, the freezing speed of the freezer compartment is increased, which can quickly freeze the food, effectively lock the nutrition of the food, and facilitate storage. The optimal temperature setting for food storage: Fridge: 4°C (39°F); Freezer: -18°C (-0.4°F)

### h| Fault indication

The following warnings appearing on the control panel indicate corresponding faults of the refrigerator. Though the refrigerator may still have refrigerator and freezing function with the following faults, the user shall contact a maintenance specialist for maintenance, so as to ensure normal use of the refrigerator.

| Fault Code | Fault Description  |
|------------|--|
| E1         | The temperature sensor in the refrigerating chamber fault            |
| E2         | The temperature sensor in the freezer chamber fault                  |
| E3         | Variable temperature chamber temperature sensor fault                |
| E5         | The defrosting sensor in the freezer chamber fault                   |
| E6         | The communication between display board and main control board fault |
| E7         | The ambient temperature sensor fault                                 |
| EH         | The ambient humidity sensor fault                                    |

### i| Changing the light

Any replacement or maintenance of the LED lamps is intended to be made by the manufacturer, its service agent or similar qualified person.

### • | Attention

This product contains a light source of energy efficiency class (F).

# Maintenance Tips

## Overall cleaning

- Disconnect the appliance from the electrical supply before undertaking any routine maintenance. Allow at least 5 minutes before restarting the appliance, as frequent starting may damage the compressor.
- Do not use mechanical devices or other means to accelerate the defrosting process, other than those recommended by the manufacturer.
- Do not try to repair, disassemble or modify the appliance by yourself. In case of repair please contact our customer service.
- Eliminate the dust on the back of the unit at least once in the year to avoid hazard by fire, as well as increased energy consumption.
- Check the door gasket regularly to make sure there are no debris. Clean the door gasket with a soft cloth dampened with soapy water or diluted detergent.
- The interior of the product should be cleaned regularly to avoid odor.
- Use a soft cloth or sponge to clean the inside of the product, with two tablespoons of baking soda and a quart of warm water. Then rinse with water and wipe clean. After cleaning, open the door and let it dry naturally before turning on the power.
- For areas that are difficult to clean in the product (such as narrow sandwiches, gaps or corners), it is recommended to wipe them regularly with a soft rag, soft brush, etc. and when necessary, combined with some auxiliary tools (such as thin sticks) to ensure no contaminants or bacteria accumulation in these areas.
- Wipe the outer surface of the product with a soft cloth dampened with soapy water, detergent, etc., and then wipe dry.
- Do not use hard brushes, clean steel balls, wire brushes, abrasives (such as toothpastes), organic solvents (such as alcohol, acetone, Isoamyl acetate, etc.), boiling water, acid or alkaline items, which may damage the fridge surface and interior. Boiling water and organic solvents such as benzene may deform or damage plastic parts.
- Do not rinse directly with water or other liquids during cleaning to avoid short circuits or affect electrical insulation after immersion.



### • | Notes:

The appliance shall run continuously once it is started. Generally, the operation of the appliance shall not be interrupted; otherwise the service life may be impaired

## Defrosting

Although this appliance automatically defrosts, a layer of frost may occur on the freezer compartment's interior walls if the freezer door is opened frequently or kept open too long. If the frost is too thick, choose a time when the supply of food stocks are low and proceed as follows:

1. Remove existing food and accessories baskets, unplug the appliance from the mains power and leave the doors open. Ventilate the room thoroughly to accelerate the thawing process.
2. When defrosting is completed, clean your freezer as described above.

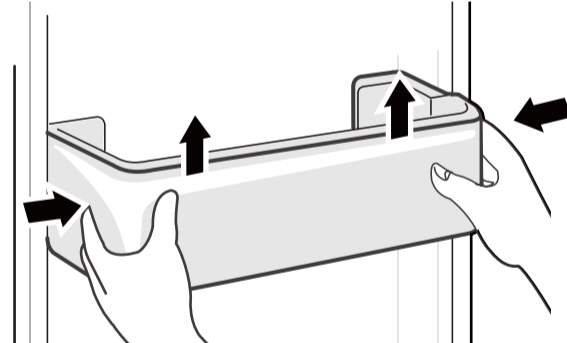
### • | CAUTION!

Don't use sharp objects to remove frost from the freezer. Only after the interior completely dry should the appliance be switched back on and plugged back into the mains socket

## Cleaning of door tray

According to the direction arrow in the figure below, use both hands to squeeze the tray, and push it upward, then you can take it out.

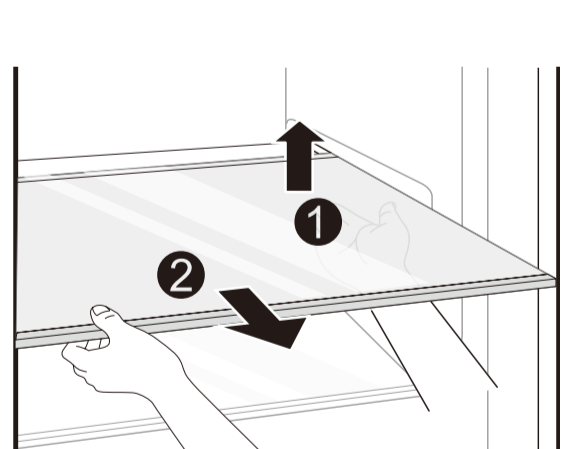
After washing the tray having been taken out, you can adjust its installing height in accordance with your requirement.



## Cleaning of glass shelf

As the innermost part of the refrigerator liner where contacting the shelves has a backstop, you shall raise the shelves upward, then you can be able to take it out.

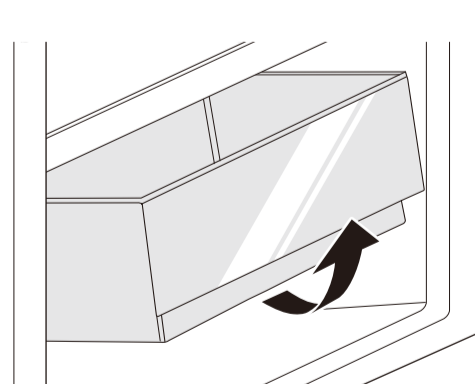
Adjust or clean the shelves according to your requirement.



## Cleaning the vegetable drawer

Remove the contents of the drawer. Hold the handle of the vegetable drawer and pull it out completely until it stops.

Lift the vegetable drawer up and remove it by pulling it out.



### • | Notes:

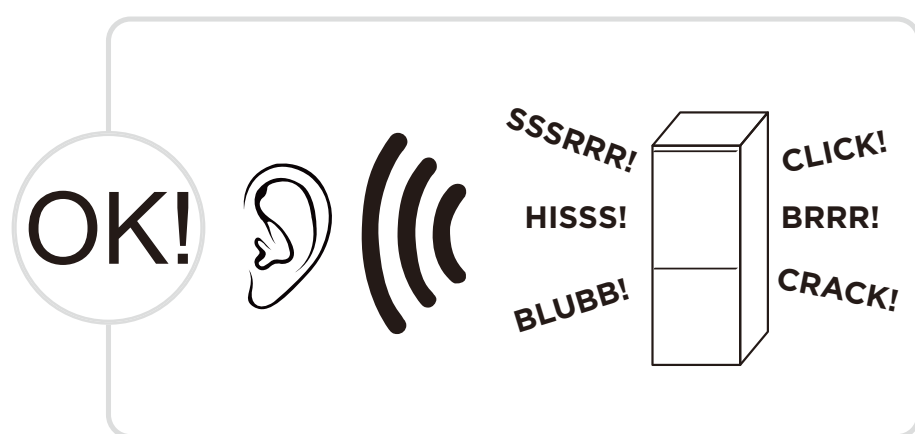
**Differences:** Due to technical changes and different models, some of the illustrations in this manual may differ from your model.

# Troubleshooting

**You may try to solve the following simple problems by yourself. If they cannot be solved, please contact the after-sales department.**

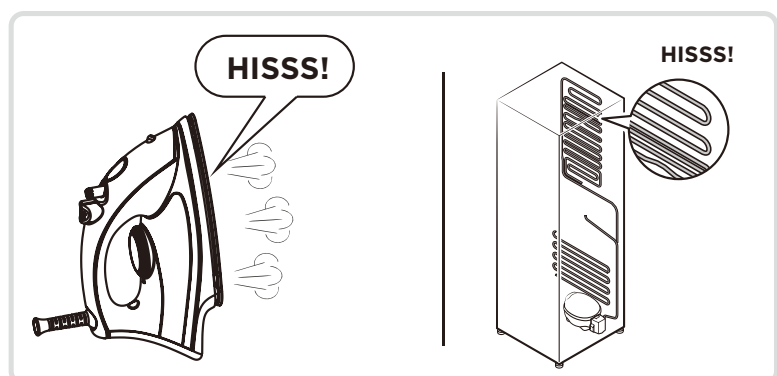
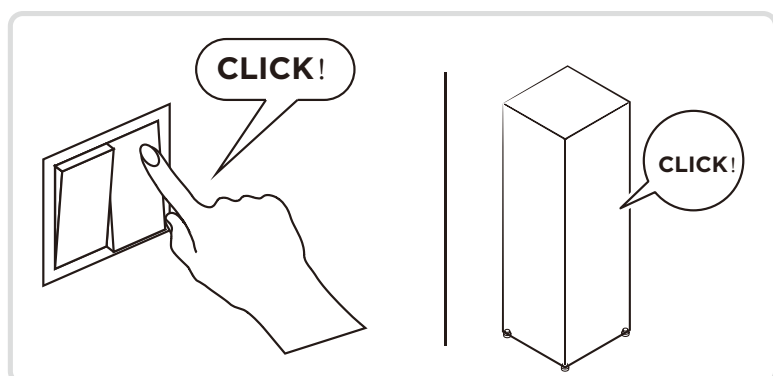
|                                       |   |
|---------------------------------------|---|
| Failed operation                      | <ul style="list-style-type: none"> <li>• Check whether the appliance is connected to power or whether the plug is in well contact</li> <li>• Check whether the voltage is too low</li> <li>• Check whether there is a power failure or partial circuits have tripped</li> </ul>   |
| Odor                                  | <ul style="list-style-type: none"> <li>• Odorous foods shall be tightly wrapped</li> <li>• Check whether there is any rotten food</li> <li>• Clean the inside of the refrigerator</li> </ul>  |
| Long-time operation of the compressor | <ul style="list-style-type: none"> <li>• Long operation of the refrigerator is normal in summer</li> <li>• when the ambient temperature is high It is not suggestible having too much food in the appliance at the same time</li> <li>• Food shall get cool before being put into the appliance</li> <li>• The doors are opened too frequently</li> </ul> |
| Light fails to get lit                | <ul style="list-style-type: none"> <li>• Check whether the refrigerator is connected to power supply and whether the illuminating light is damaged</li> <li>• Have the light replaced by a specialist</li> </ul>  |
| Door can not be properly closed       | <ul style="list-style-type: none"> <li>• The door is stuck by food packages Too much food is placed</li> <li>• The refrigerator is tilted.</li> </ul>   |
| Loud noises                           | <ul style="list-style-type: none"> <li>• Check whether the floor is level and whether the refrigerator is placed stably</li> <li>• Check whether accessories are placed at proper locations</li> </ul>  |
| Door seal fails to be tight           | <ul style="list-style-type: none"> <li>• Remove foreign matters on the door seal</li> <li>• Heat the door seal and then cool it for restoration</li> <li>• (or blow it with an electrical drier or use a hot towel for heating)</li> </ul>  |
| Water pan overflows                   | <ul style="list-style-type: none"> <li>• There is too much food in the chamber or food stored contains too much water,resulting in heavy defrosting</li> <li>• The doors are not closed properly, resulting in frosting due to entry of air and increased water due to defrosting</li> </ul>  |
| Hot housing                           | <ul style="list-style-type: none"> <li>• Heat dissipation of the built-in condenser via the housing, which is normal When housing becomes hot due to high ambient temperature, storage of too much food or shutdown of the compressor is shut down, provide sound ventilation to facilitate heat dissipation</li> </ul>                                   |
| Surface condensation                  | <ul style="list-style-type: none"> <li>• Condensation on the exterior surface and door seals of the refrigerator is normal when the ambient humidity is too high. Just wipe the condensate with a clean towel.</li> </ul>   |
| Abnormal noise                        | <ul style="list-style-type: none"> <li>• Buzz: The compressor may produce buzzes during operation, and the buzzes are loud particularly upon start or stop. This is normal.</li> <li>• Creak: Refrigerant flowing inside of the appliance may produce creak, which is normal.</li> </ul>  |

**Do you hear these abnormal sounds as below? Usually these sounds are normal.**



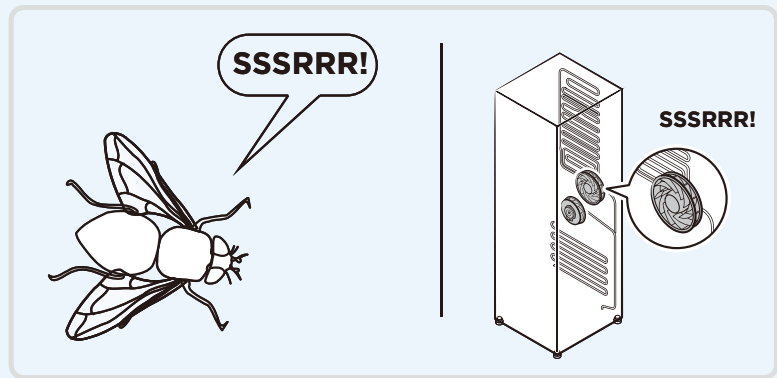
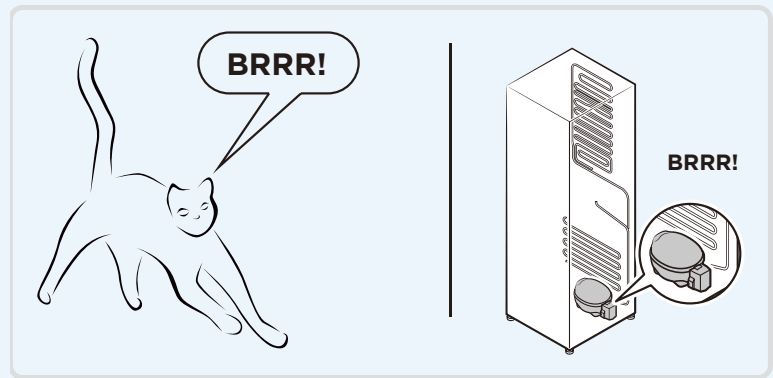
**CLICK:** Some electrical parts in the refrigerator, such as electric valve will make this noise when working. This is normal.

**HISS:** When the refrigerant flows into the evaporator, it will make this noise. This is normal.



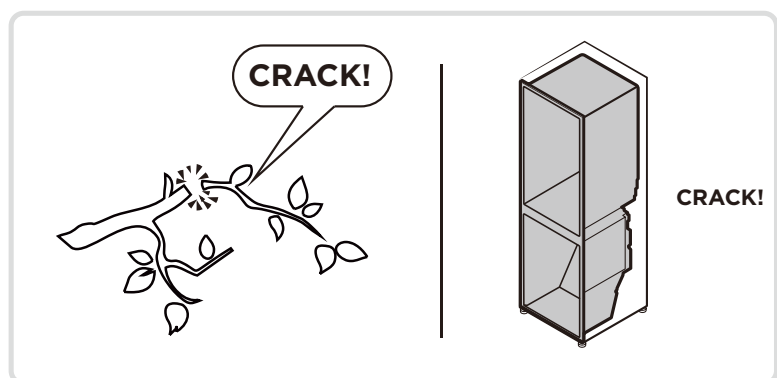
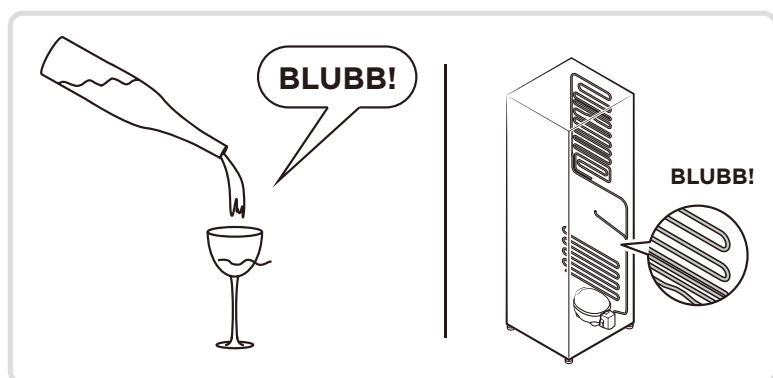
**BRRR:** The compressor will make this noise when working, and the buzzes are loud particularly upon start or stop. This is normal.

**SSRRR:** The fan motor in the No frost refrigerator will make this noise when working. This is normal.



**BLUBB:** Refrigerant flowing through the pipes in the refrigerator will make this noise. This is normal.

**CRACK:** Cracking sound or broken ice sound: the overall structure of the refrigerator, air duct frost will be with the thermal expansion and contraction of the expansion sound, these are also normal physical phenomenon.



# Tips & Tricks

## Storing food

### Freezer compartment

The freezer compartment is designated for the low-temperature freezing of food, long-term storage of frozen food, and for the production of ice cubes.

Do not put fresh and frozen food next to each other. The frozen food may thaw.

When freezing large amounts of fresh food (such as meat, fish or chopped meat), please divide them into several small pieces before putting in, so that they can be quickly frozen and pick up easily.

Abide by the storage times recommended by food manufacturers on the packages, there is no information on the packaging, food should not be stored frozen for longer than three months from the date of purchase.

When purchasing frozen food, make sure that it was frozen at a suitable temperature and that the packaging is not damaged.

Frozen food should be kept in suitable individual packages to ensure that adjacent food cannot be contaminated. Consume thawed and defrosted foods immediately, do not refreeze them.

In case of prolonged power failure or malfunction of the appliance, remove the stored frozen food and check whether they are still edible, then store them in a sufficiently cool place or in another appliance.

To defrost food, remove it from the freezer and let it defrost at room temperature or in the refrigerator. To defrost food quickly, you can use the defrost function on your microwave, for example.

If you only want to defrost part of a pack, remove the portion you need and immediately close the rest of the pack. In this way, you will avoid "freezer burn" and will reduce ice formation on the remaining foods.

### Refrigerator compartment

The Refrigerator compartment is the ideal storage location for ready meals, cakes and pastries, preserved food, condensed milk, milk, cheese, spreads, sauces, dips and eggs.

The freshness at point of purchase is important for the shelf-life of your food. In principle, the fresher the produce when placed in the crisper drawers, the longer it stays fresh. Therefore, when buying food, always pay attention to the degree of freshness.

Never put warm foods in the fridge compartment. These should first cool down at room temperature and then be placed so as to ensure adequate air circulation in the fridge compartment.

Meat and clean fish (packed in a package or plastic foil) can be placed in the fridge compartment, which can be used in 1-2 days.

Fruit and vegetables without packaging can be placed in the part designated for fresh fruit and vegetables.

### • | Notes:

Storage of too much food during operation after the initial connection to power may adversely affect the freezing effect of the refrigerator.

### Storage times and temperature

**Note:** Overlong storage or storage at inappropriate freezing temperature may cause a quality loss or spoiled foods, which causes food waste, is inedible and may cause food poisoning. The minimum temperature in most cases should be -18°C or colder. Follow the maximum recommended storage times below:

- Stew, ice cream, sausages, bread: 2-6 months.
- Fish, shrimp, lamb, meat: 4-8 months.
- Vegetables, fruits, poultry, beef: 6-12 months.

## Tips for energy saving

Do not place the appliance near cookers, radiators or other heat sources. If the ambient temperature is high, the compressor will run more frequently and for longer, resulting in increased energy consumption.

Ensure that there is sufficient ventilation at the base of the appliance, on the sides of the appliance and at the back of the appliance.

Please also observe the spacing dimensions in the chapter **"Installation"**.

An evenly filled refrigerator/freezer compartment contributes to optimal energy use.

Allow warm food to cool before placing it in the refrigerator/freezer compartment. Food that has already cooled down increases energy efficiency.

Allow frozen food to defrost in the refrigeration compartment. The coldness of the frozen food reduces the energy consumption in the refrigerator compartment and thus increases the energy efficiency.

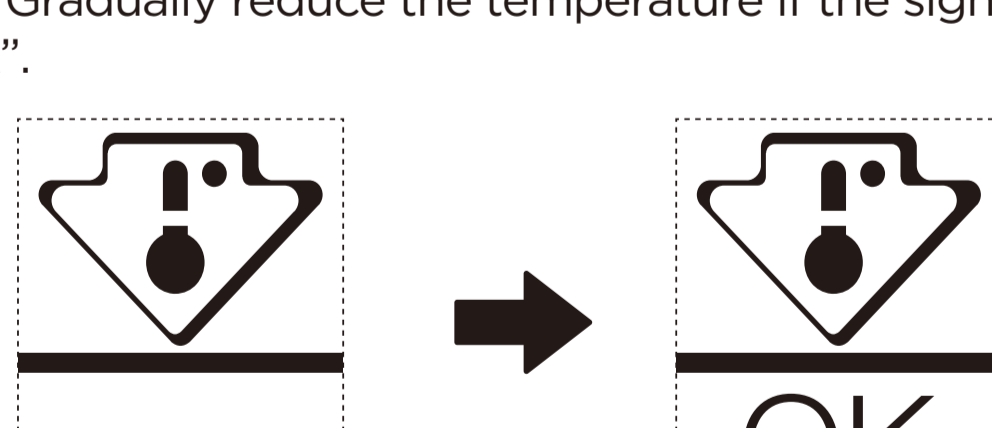
Setting the temperature no colder than necessary contributes to optimal energy use.

The door gaskets of your appliance must be perfectly intact so that the doors close properly and energy consumption is not increased unnecessarily.

## Coldest zone in the refrigerator

### OPTIONAL: OK-temperature indicator

The OK-temperature indicator can be used to determine temperatures below +4°C. Gradually reduce the temperature if the sign does not indicate "OK".



To ensure the temperature in this area, do not change the positioning of the shelf. In forced air refrigerators (equipped with a fan or No Frost models), the symbol of the coldest zone is not represented because the temperature inside is homogeneous.

### Temperature indicator setting

To help you set your refrigerator well, it is equipped with a temperature indicator that will monitor the average temperature in the coldest zone.

**WARNING:** This indicator is intended to work only with your refrigerator, do not use it in another refrigerator (in fact, the coldest zone is not the same), or for any other use.

### Checking the temperature in the coldest zone

With the temperature indicator, you can check regularly that the temperature of the coldest zone is correct. Indeed, the internal temperature of the refrigerator depends on several factors such as the ambient temperature of the room, the amount of food stored and the frequency of door opening. Take these factors into consideration when setting the device.

When the indicator shows « OK », this means that your thermostat is well adjusted and the internal temperature correct.

If the indicator of temperature turns WHITE, this means that the temperature is too high; in this case, increase the refrigerator temperature control setting and wait for 12 hours before performing a new visual inspection of the indicator. When fresh food has been introduced or the door has been left open, it is possible for the indicator of temperature to turn WHITE after a while.