



NA75D3030AS

# Gas cooktop

## user manual

ENGLISH

imagine the possibilities

Thank you for purchasing this Samsung product.  
To receive more complete service, please register your product at  
[www.samsung.com/register](http://www.samsung.com/register)

**SAMSUNG**

# Preface

---

Thank you for choosing a Samsung gas cooktop.

To use this appliance correctly and prevent any potential risk, read these instructions before using the appliance.

Keep these instructions in a place where you can find them easily.

If you are unsure of any of the information contained in these instructions, please contact the Samsung customer care centre.

The manufacturer shall not be responsible for any damages to persons or property caused by incorrect installation or use of the appliance.

The appliance has been certified for use in countries other than those marked on the appliance.

The manufacturer also reserves the right to make any modifications to the products as may be considered necessary or useful, also in the interests of the user, without jeopardising the main functional and safety features of the products themselves.

The appliance is designed for a domestic environment and not a commercial one.

# Contents

---

## **Preface**

## **Safety Warning**

3-8

- 3 Safety Instructions
- 4 Installation
- 5 Child and People Safety
- 6 During Use
- 8 Cleaning and Service
- 8 Environmental Information

## **Instructions for use and maintenance**

9-16

- 9 Description of the appliance
- 13 How to Use the appliance
- 14 Safety and Energy saving advice
- 16 Cleaning and Maintenance



## **Technical instructions**

18-27

- 18 Using instructions
- 19 Positioning
- 20 Installing the appliance
- 21 Gas Connection
- 22 Electrical Connection
- 23 Gas Conversion
- 24 Engineers technical data
- 26 Burner Features
- 27 Trouble Shooting

# Safety Instructions

- Your safety is of the utmost importance to Samsung.
- Please take the time to read this Instruction Manual before installing or using the appliance.
- This instruction booklet must be kept with the appliance for any future reference.  
If the appliance is sold or transferred to another person, ensure the booklet is passed on to the new user.
- The manufacturer declines any liability should these safety measures not be observed.
- The following marks are made to be easily understood so that you can prevent any accident caused by misuse in advance, and use the appliance more conveniently.
- Read the following contents thoroughly and ensure you understand them.

 <b>Danger/Warning</b>	Neglect of this mark may result in severe personal injury or death.
 <b>Caution</b>	Neglect of this mark may result in minor personal injury or property damage.

## ■ The following marks are used in the Instruction Manual as follows:



Caution



No Access



No Fire Tool

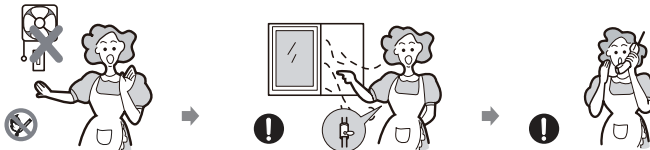


Must Do

## **Danger**

### ■ If gas seems to leak, take the actions as follow :

- Do not turn on the light.
- Do not switch on/off any electrical appliance and do not touch any electric plug.
- Do not use a telephone.
  - 1 Stop using the product and close the middle valve.
  - 2 Open the window to ventilate.
  - 3 Contact our service centre by using a phone outside.



\* The fuel gas contains mercaptan, so that you can smell the gas leak (smell of rotten garlic or egg) even where only 1/1000 of the gas is in the air.

## Warning

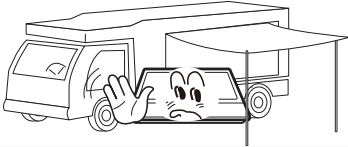
- This appliance shall be installed in accordance with regulations in force and only used in a well ventilated space.



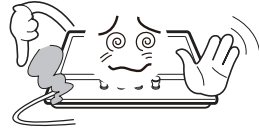
- Prior to installation, ensure that the gas and electrical supply complies with the type stated on the rating plate.



- This appliance is not intended for installing in road vehicles, caravans and similar vehicles etc.



- The gas pipe and electrical cable must be installed in such a way that they do not touch any parts or the appliance.

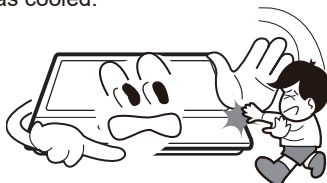


## Caution

- This appliance should be installed by a qualified technician or installer.
- The adjustment conditions for this appliance are stated on the label or data plate.
- Remove all packaging before using the appliance.
- After unpacking the appliance, make sure the product is not damaged and that the connection cord is in perfect condition. Otherwise, contact the dealer before installing the appliance.
- The adjacent furniture and all materials used in the installation must be able to withstand a minimum temperature of 85°C above the ambient temperature of the room it is located in, whilst in use.
- In the event of burner flames being accidentally extinguished, turn off the burner control and do not attempt to re-ignite the burner for at least one minute.
- The use of a gas cooking appliance results in the production of heat and moisture in the room in which it is installed. Ensure that the kitchen is well ventilated: keep natural ventilation holes open or install a mechanical ventilation device (mechanical extractor hood).
- Prolonged intensive use of the appliance may call for additional ventilation, for example opening of a window, or more effective ventilation, for example increasing the level of mechanical ventilation where present.

## **Warning**

- Do not allow children to play near or with the appliance.  
The appliance gets hot when it is in use.  
Children should be kept away until it has cooled.



## **Caution**

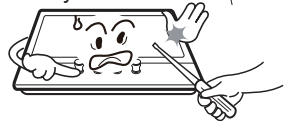
- This appliance is designed to be operated by adults.
- Children can also injure themselves by pulling pans or pots off the appliance.
- This appliance is not intended for use by children or other persons whose physical, sensory or mental capabilities or lack of experience and knowledge prevents them from using the appliance safely without supervision or instruction by a responsible person to ensure that they can use the appliance safely.

## Warning

- Only use the appliance for preparing food.



- Do not modify this appliance. Burner panel is not designed to operate from an external timer or separate remote control system.



- The use of a gas cooking appliance results in the production of heat and moisture in the room in which it is installed. Ensure that the kitchen is well ventilated : keep natural ventilation holes open or install a mechanical ventilation device (mechanical extractor hood).



- Do not use this appliance if it comes in contact with water. Do not operate this appliance with wet hands.



- The heating and cooking surfaces of the appliance become hot when they are in use, take all due precautions.



- Do not use large cloths, tea towels or similar as the ends could touch the flames and catch fire.



- Never leave the appliance unattended when cooking.



- Unstable or misshapen pans should not be used on the appliance as they can cause an accident by tipping or spillage.



# During Use

- Do not use or store flammable materials in the storage drawer near this appliance.



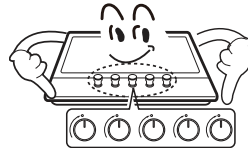
- Perishable food, plastic items and aerosols may be affected by heat and should not be stored above or below the appliance.



- Do not spray aerosols in the vicinity of this appliance while it is in operation.



- Ensure the control knobs are in the '●' position when not in use.



## **Caution**

- This appliance is intended for domestic cooking only. It is not designed for commercial or industrial purposes.
- Prolonged intensive use of the appliance may call for additional ventilation, for example opening of a window, or increasing the level of mechanical ventilation where present.
- Use heat-resistant pot holders or gloves when handling hot pots and pans.
- Do not let pot holders come near open flames when lifting cookware.
- Take care not to let pot holders or gloves get damp or wet, as this causes heat to transfer through the material quicker with the risk of burning yourself.
- Only ever use the burners after placing pots and pans on them. Do not heat up any empty pots or pans.
- Never use plastic or aluminium foil dishes on the appliance.
- When using other electrical appliances, ensure the cable does not come into contact with the appliance surfaces of the cooking appliance.
- If you have any mechanical parts eg. an artificial heart in your body, consult a doctor before using the appliance.
- Do not use a tea towel or similar materials in place of a pot holder. Such cloths can catch fire on a hot burner.
- When using glass cookware, make sure it is designed for top plate cooking. If the surface is made of glass-cracked, switch off the appliance to avoid defeat electrocution.
- To minimise the possibility of burns, ignition of flammable materials and spillage, turn cookware handles toward the side or center of the top plate without extending over adjacent burners.
- Always turn burner controls off before removing cookware.
- Carefully watch foods being fried at a high flame setting.
- Always heat fat slowly and watch as it heats.
- Foods for frying should be as dry as possible. Frost on frozen foods or moisture on fresh foods can cause hot fat to bubble up and over the sides of the pan.
- Never try to move a pan of hot fat, especially a deep fat fryer. Wait until the fat is completely cool.

## Warning

- Never use abrasive or caustic cleaning agents.



- This appliance should only be repaired or serviced by an authorised Service Engineer and only genuine approved spare parts should be used.



## Caution

- Before attempting to clean the appliance, it should be disconnected from the mains and cooled.
- You should not use a steam jet or any other high pressure cleaning equipment to clean the appliance.

# Environmental Information

- After installation, please dispose of the packaging with due regard to safety and the environment.
- When disposing of an old appliance, make it unusable, by cutting off the cable.



### **Correct Disposal of This Product (Waste Electrical & Electronic Equipment)**

- This marking shown on the product or its literature, indicates that it should not be disposed with other household wastes at the end of its working life. To prevent possible harm to the environment or human health from uncontrolled waste disposal, please separate this from other types of wastes and recycle it responsibly to promote the sustainable reuse of material resources.
- Household users should contact either the retailer where they purchased this product, or their local government office, for details of where and how they can take this item for environmentally safe recycling.
- Business users should contact their supplier and check the terms and conditions of the purchase contract. This product should not be mixed with other commercial wastes for disposal.

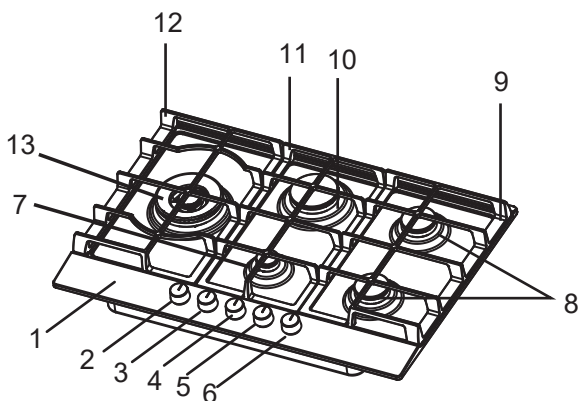
# Environmental Information

---

For information on Samsung's environmental commitments and product specific regulatory obligations e.g. REACH visit: [samsung.com/uk/aboutsamsung/samsungelectronics/corporatecitizenship/data\\_corner.html](http://samsung.com/uk/aboutsamsung/samsungelectronics/corporatecitizenship/data_corner.html)

## Description of the appliance

---



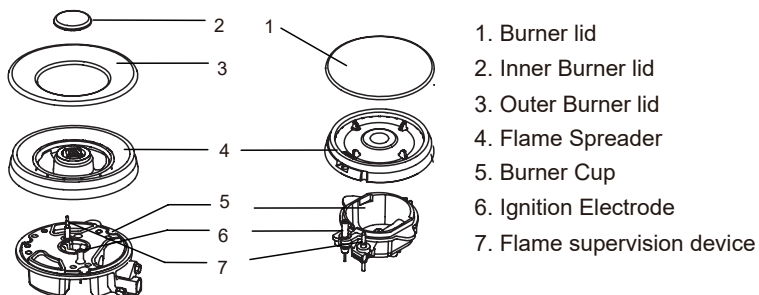
- |  |                                  |
|--|----------------------------------|
| 1.top plate                            | 8.semi-rapid burner              |
| 2.control knob for left burner         | 9.pan support right(cast iron)   |
| 3.control knob for middle-rear burner  | 10.rapid burner                  |
| 4.control knob for middle-front burner | 11.pan support middle(cast iron) |
| 5.control knob for right-rear burner   | 12.pan support left(cast iron)   |
| 6.control knob for right-front burner  | 13.triple burner                 |
| 7.auxiliary burner                     |                                  |

# Description of the appliance

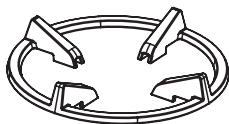
---

## Burner

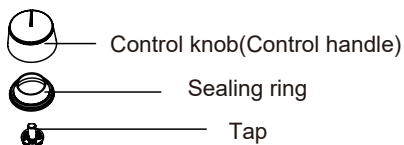
Triple Crown, Auxiliary, Semi-rapid and Rapid



## Wok pan support



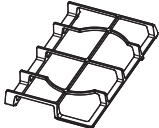
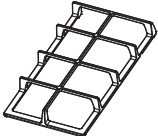
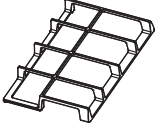
## Knob



# Description of the appliance

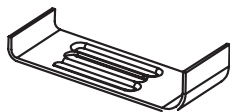
---

## Pan support

pan support	Burner	Model
 A line drawing of a triple pan support, which is a metal grid with three distinct rectangular sections for supporting cookware.	Triple	NA75D3030AS
 A line drawing of a Rapid Auxiliary pan support, featuring a grid with a larger central section and two smaller side sections.	Rapid Auxiliary	NA75D3030AS
 A line drawing of a Semi-rapid pan support, showing a grid with a large central section and two side sections, similar to the Rapid Auxiliary but with a different internal structure.	Semi-rapid	NA75D3030AS

# Description of the appliance

## Accessories



Bracket(4)



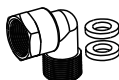
Sponge(4)



Screw(4)



Injector(5)



Tapered Connector and Gasket(1)



Instruction Manual(1)

## How to Use the appliance

### Turn on

#### 1 Preparation

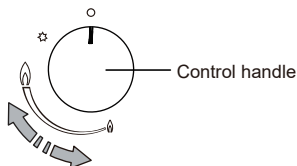
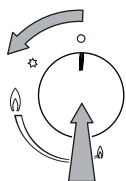
The following symbols will appear on the control panel, next to each control handle :

	Circle : gas off		Small flame : minimum setting
	Large flame : maximum setting		Ignition position



- The minimum setting is at the end of the anti-clockwise rotation of the control handle.
- All operation positions must be selected between the maximum and minimum position.
- The symbol on the control panel, next to the control handle will indicate which burner it operates.

#### 2 Ignition & Adjustment



# How to Use the appliance

---

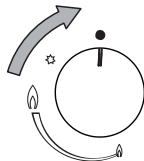
- Place a pot or a pan on the corresponding cooking position.
- Fully press down the control handle for the corresponding cooking position and turn it to the left, to the ignition position, and hold it there for a few seconds at most until the burner ignites.
- After igniting, keep the control handle pressed for about 5~8 seconds more because the heat sensor that opens the gas channel has to warm up first. Set control handle to the position you want.
- If the burner does not light, repeat the process.
- The flame size can be set continuously between maximum and minimum by slowly turning the control handle.



- If the igniters are dirty, this makes the burner harder to light, so you should keep them as clean as possible. Do this with a small brush and make sure that the ignition device is not hit or knocked violently.
- The flame supervision device shall not be operated for more than 15 seconds. If after 15 seconds the burner has not lit, stop operating the device and open the compartment door and/or wait at least one minute before attempting to reignite the burner.

## Turn off

### 3 Extinguishment



- Turn the control handle to clockwise, to setting ‘o’ (off position)



- Right after extinguishment, the appliance is still hot. Be careful not to burn yourself.



- This appliance is fitted with a flame failure safety device which cuts off the supply of gas to a burner if the flame goes out, for example if food has boiled over, or if there is a sudden draught.
- In the event of the burner flames being accidentally extinguished, turn off the burner control and do not attempt to re-ignite the burner for at least one minute.

# Safety and Energy saving advice

- The diameter of the bottom of the pan should correspond to that of the burner.

BURNERS	PANS	
	min.	max.
Triple-Crown	220mm	260mm
Rapid	180mm	220mm
Semi-Rapid	180mm	200mm
Auxiliary	120mm	180mm



■ Do not use cookware that overlaps the edge of the burner.

NO		YES	
	Do not use small diameter cookware on large burners. The flame should never come up the sides of the cookware.	Always use cookware that is suitable for each burner, to avoid wasting gas and discolouring the cookware.	
	Avoid cooking without a lid or with the lid half off - as this wastes energy	Place a lid on the cookware.	
	Do not use a pan with a convex or concave bottom.	Only use pots, saucepans and frying pans with a thick, flat bottom.	
	Do not place cookware on one side of a burner, as it could tip over. Do not use cookware with a large diameter on the burners near the controls, which when placed on the middle of the burner may touch the controls or be so close to them that they increase the temperature in this area and may cause damage.	Always place the cookware right over the burners, not to one side.	
	Never place cookware directly on top of the burner.	Place the cookware on top of the trivet.	
	Do not place anything, eg. flame tamer, asbestos mat, between pan and pan support as serious damage to the appliance may result.		
	Do not use excessive weight and do not hit the cooktop with heavy objects.	Handle cookware carefully when they are on the burner.	

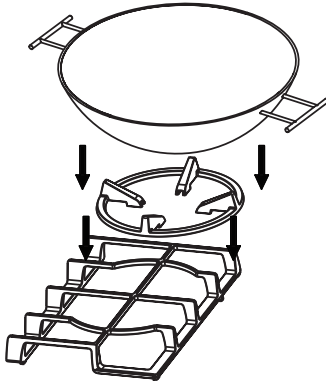


- It is not recommended to use roasting pans, frying pans or grill stones heated simultaneously on several burners because the resulting heat build-up may damage the appliance.
- Do not touch the top plate and trivet whilst in use for a certain period after use.



- As soon as a liquid starts boiling, turn down the flame so that it will barely keep the liquid simmering.

# Safety and Energy saving advice

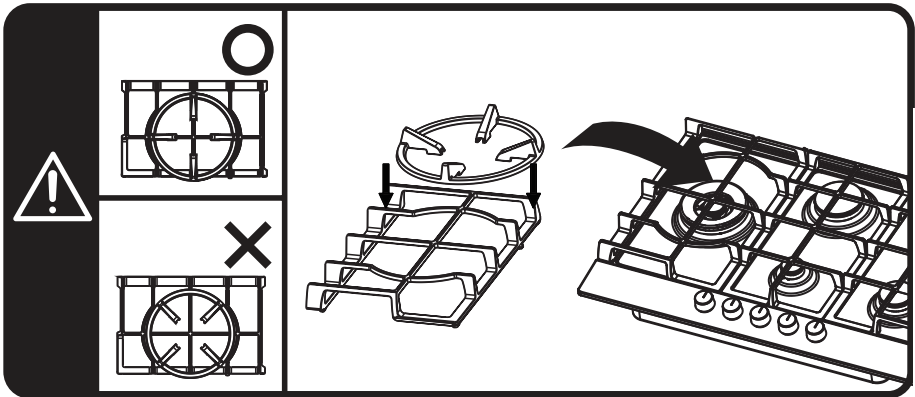


This "WOK PAN SUPPORT" allows you to use recept with a concave base.



- "WOK PAN SUPPORT" is mainly used for triple crown burner.
- The manufacturer declines all responsibility if this additional wok pan support is not used or are used incorrectly.
- Do not use other pan support for triple burner.

CONCAVE PAN	
Φ min.	Φ max.
120mm	200mm











Usage of Wok Pan Support .

# Cleaning and Maintenance



- Cleaning operations must only be carried out when the appliance is completely cool.
- The appliance should be disconnected from your mains supply before commencing any cleaning process.
- Clean the appliance regularly, preferably after each use.
- Abrasive cleaners or sharp objects will damage the appliance surface; you should clean it using water and a little washing up liquid.

Usable	Unusable
 Soft cloth  Neutral Detergent	 Nylon Brush  Metal Brush  Edible Oil  Acidic/Alkali Detergent  Abrasive  Thinner/Benzene

## Pan support, Control handles

- Take off the Pan support.
- Clean these and the control handles with a damp cloth, washing up liquid and warm water. For stubborn soiling, soak beforehand.
- Dry everything with a clean soft cloth.

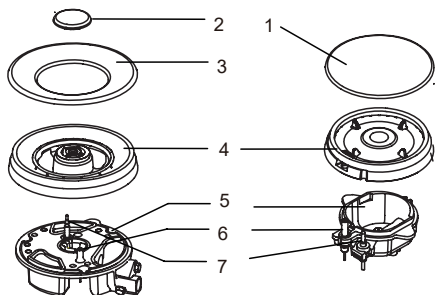
## Top plate

- Regularly wipe over the top plate using a soft cloth well wrung-out in warm water to which a little washing up liquid has been added.
- Dry the top plate thoroughly after cleaning.
- Thoroughly remove salty foods or liquids from the hob as soon as possible to avoid the risk of corrosion.
- Stainless steel parts of the appliance may become discoloured over time. This is normal because of the high temperatures. Each time the appliance is used these parts should be cleaned with a product that is suitable for stainless steel.

## BURNERS

- Remove the burner lids and Flame Spreaders by pulling them upwards and away from the top plate.
- Soak them in hot water and a little detergent or washing up liquid
- After cleaning and washing them, wipe and dry them carefully. Make sure that the flame holes are clean and completely dry.
- Wipe the fixed parts of the burner cup with a damp cloth and dry afterwards.
- Gently wipe the ignition device and flame supervision device with a well wrung-out cloth and wipe dry with a clean cloth.
- Before placing the burners back on the top plate, make sure that the injector is not blocked.

### ■ Re-assemble the Auxiliary, Semi-Rapid, Rapid and Triple-Crown burners as follows :



1. Place the flame spreader ( 4 ) on to the burner cup ( 5 ) so that the ignition device and the flame supervision device extend through their respective holes in the flame spreader.  
The flame spreader must click into place correctly.
2. Position the burner lid ( 1 , 2 , 3 ) on to the flame spreader ( 4 ) so that the retaining pins fit into their respective recesses.



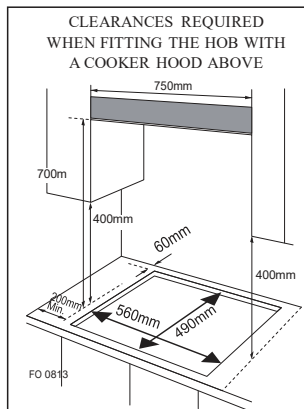
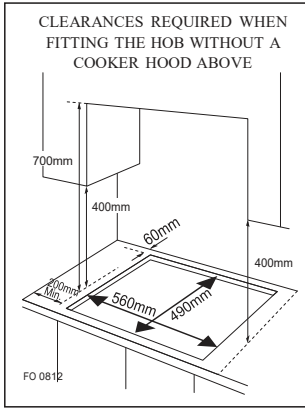
**Replace parts in the correct order after cleaning.**

- Do not mix up the top and bottom.
- The locating pins must fit exactly into the notches.

## **Warnings**

- Do not modify this appliance.
- This appliance must be installed by an authorised technician or installer.
- Prior to installation, ensure that the local distribution conditions (nature of the gas and gas pressure) and the adjustment of the appliance are compatible.
- The adjustment conditions for this appliance are stated on the label (or data plate).
- This appliance is not connected to a combustion products evacuation device. It should be installed and connected in accordance with current installation regulations. Particular attention should be given to the relevant requirements regarding ventilation.
- Before installing, turn off the gas and electricity supply to the appliance.
- All appliances containing any electrical components must be earthed.
- Ensure that the gas pipe and electrical cable are installed in such a way that they do not touch any parts of the appliance which may become hot.
- Gas pipe or connector shouldn't be bent or blocked by any other appliances.
- Check the dimensions of the appliance as well as the dimensions of the gap to be cut in the kitchen unit.
- The panels located above the work surface, directly next to the appliance, must be made of non-flammable material. Both the stratified surfacing and the glue used to secure it should be heat resistant, to prevent deterioration.
- Turn on appliance tap and light each burner.  
Check for a clear blue flame without yellow tipping.  
If burners show any abnormalities check the following :
  - Burner lid on correctly
  - Flame spreader positioned correctly
  - Burner vertically aligned with injector nipple
- A full operational test and a test for possible leakages must be carried out by the fitter after installation.
- The flexible hose shall be fitted in such a way that it cannot come into contact with a moveable part of the housing unit and does not pass through any space susceptible of becoming congested.
- Grease traps produced at the factory to meet the requirement of all life hobs.

# Positioning



## Cut out size

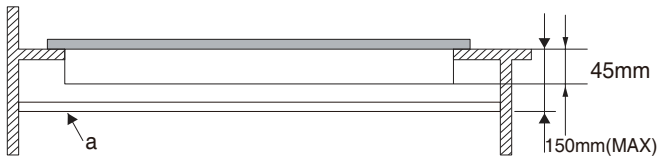
Width : 560mm

Depth : 490mm

Thickness : 30~50mm

### ■ This appliance is to be built into a kitchen unit or 600 mm worktop, providing the following minimum distances are allowed ;

- The cut-out position must be a minimum distance of 60mm from a rear wall.
- A minimum distance of 150mm must be left between the side edges of the appliance and any adjacent cabinets or walls.
- The minimum distance combustible material can be fitted above the appliance in line with the edges of the appliance is 400mm. If it is fitted below 400mm a space of 50mm must be allowed from the edges of the appliance.
- The minimum distance combustible material can be fitted directly above the appliance is 700mm.
- This panel(a) must be positioned at a maximum distance of 150mm below the worktop.
- This panel is not mandatory for application.



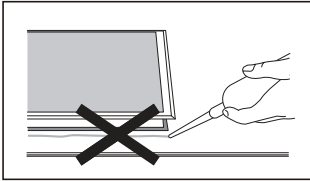
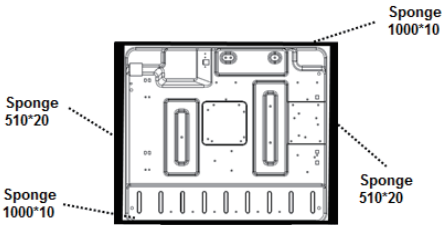
- An oven must have forced ventilation to install a hob above it.
- Check the dimensions of the oven in the installation manual.
- The cut out size must obey the indication.

# Installing the appliance

1. Remove the pan supports, the burner lid and flame spreader and carefully turn the appliance upside down and place it on a cushioned mat.

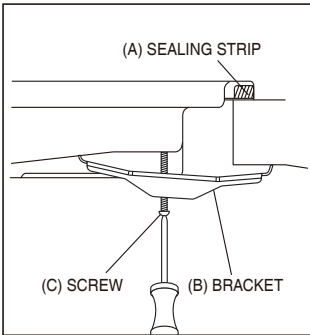
Take care that the Ignition devices and flame supervision devices are not damaged in this operation.

2. Apply the sponge provided around the edge of the appliance.
3. Do not leave a gap in the sealing agent or overlap the thickness.

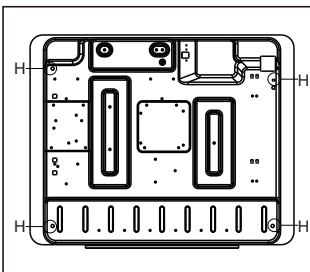


**Do not use a silicon sealant to seal the appliance against the aperture.**

**This will make it difficult to remove the appliance from the aperture in future, particularly if it needs to be serviced.**



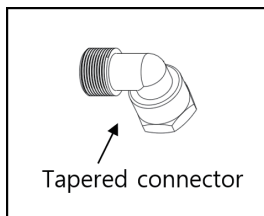
1. Place the bracket(B) over the holes that match the size of the screws. There are one set of screw holes in each corner of the hob(H). Slightly tighten a screw(C) through the bracket(B) so that the bracket is attached to the hob, but so that you can still adjust the position.
2. Carefully turn the hob back over and then gently lower it into the aperture hole that you have cut out.
3. On the underneath of the hob, adjust the brackets into a position that is suitable for your worktop. Then fully tighten the screws(C) to secure the hob into position.



# Gas Connection



- This appliance must be installed and connected in accordance with installation regulations in force in the country in which the appliance is to be used.
- This appliance is supplied to run on natural gas only and cannot be used on any other type of gas without modification. Conversion for use on LPG and other gases must only be undertaken by a qualified person.



- In the UK and Ireland, remove the Elbow assembled in the product and connect the tapered connector(R) enclosed with accessories.

- It is the law that all gas appliances are installed by competent persons in accordance with the current edition of the Gas Safety Installation and Use Regulations .
- It is in your interest and that of safety to ensure compliance with the law.
- In the UK, GASSAFE registered installers work to safe standards of practice. The hob must also be installed in accordance with the current edition of BS 6172. Failure to install the cooker correctly could invalidate the warranty, liability claims and lead to prosecution.



- You can obtain the connector and the gasket from your After-Sales Service. In France, you must use a tube or a pipe featuring the “NF Gaz” logo.

**You should check the local installation regulation regarding the permitted the use of certain type of flexible gas tube.**



- A full operational test and a test for possible leakages must be carried out by the fitter after installation.
- Access to the whole length of the connection hose must be possible and the gas hose must be replaced before its use before the end of service life (indicated on the hose).

# Electrical Connection

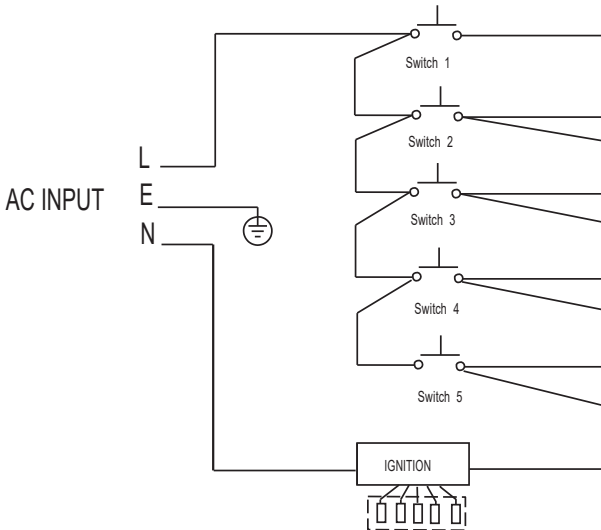
- This appliance must be earthed.
- This appliance is designed to be connected to a 220~240V, 50~60Hz AC electricity supply.
- The wires in the mains lead are coloured in accordance with the following code ;
  - Green/yellow = Earth
  - Blue = Neutral
  - Brown = Live



- The wire which is coloured green and yellow must be connected to the terminal which is marked with the letter E or by the earth symbol.



## ■ WIRING DIAGRAM



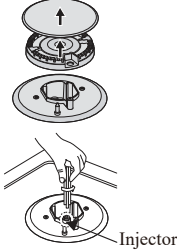
When the power cord is damaged it must be replaced by the manufacturer to produce, customer service agent or similarly qualified personnel.

# Gas Conversion



- Take precautions on the operations and adjustments to be carried out when converting from one gas to another.
- All work must be carried out by a qualified technician.
- Before you begin, turn off the gas and electricity supply to the appliance.

## 1 Change the injector of the burners.



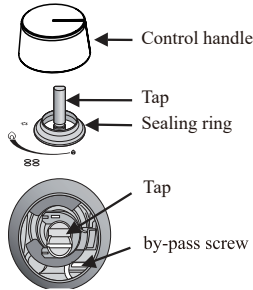
Remove the pan support, Burner lid and Flame spreader.

Unscrew the injector using a 7 mm box spanner and replace it with the stipulated injector for new gas supply. ( see Page 26.)

Carefully reassemble the all components.

After injectors are replaced, it is advisable to strongly tighten the injector in place.

## 2 Adjustment of minimum level of the flame



- ① Turn the taps down to minimum.
- ② Remove the control hands from taps.
- ③ Adjusting by pass screw
  - For converting 'natural' gas G20 into 'liquid' gas G30 the screw must be screws down fully tight
  - For converting back from G30 into G20, please rotate the screw in opposite direction to adjust the minimum level
  - Finally check the flame does not go out when quickly turning the tap from the maximum position to the minimum position.
- ④ Install the control handles on the taps.

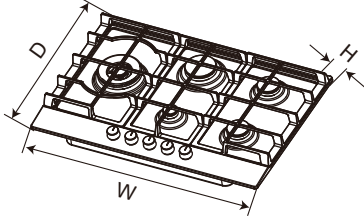


- Do not dismantle the tap shaft : in the event of a malfunction, change the whole tap.
- Before placing the burners back on the top place, make sure that the injector is not blocked.
- A full operational test and a test for possible leakages must be carried out after gas conversion. (such as soap water or gas detector)
- After completing conversion, a qualified technician or installer has to mark "V" on the right gas category to match with the setting in rating plate. Remove the previous setting "V" mark.

<b>SAMSUNG</b>		0359DP00129
		<b>UK CA</b>
Model:	S/N:	0359-24
<b>G20/20mbar</b>	220-240V 50-60Hz,Pmax 1W	
Σ Qn G20:	G30:	G31:
<input type="checkbox"/> G20/20mbar <input type="checkbox"/> G30/29mbar <input type="checkbox"/> G31/37mbar                    GB Cat.:II 2H3*		

## Product Information

Data determined according to standard EN 30-2-1 and Commission Regulations (EU) No 66/2014.

<b>SAMSUNG</b>	
Model	NA75D3030AS
Type of gas hob	Built-in gas hob
Pan Support	Cast Iron
Wok pan Support	Cast Iron
Top Plate	Stainless Steel
Control Handle	Silver Color
Weight	14.2kg (Include wok)
Dimension(W*D*H)	750*510*98
Ignition device	Continuous Ignition Type
Gas Connection	G1/2 thread
Electric supply	220-240V~50-60Hz
Burner Feature	Rapid (1), Semi-rapid (2), Auxiliary(1), Triple(1)?
Number of gas burners	5
$\sum Q_n$	11.8kW
Energy efficiency per gas burner (EE gas burner)	Triple(3.8kW) (Left):53.5%
	Rapid(3.0kW) (Middle Rear):54.8%
	Semi-rapid(2.0kW) (Right rear):56.1%
	Semi-rapid(2.0kW) (Right Front):56.0%
Energy efficiency for the gas hob (EE gas hob)	55.1 %

**Estimates show that a few simple steps can lead to energy savings of up to 50% of the total energy consumption of the appliance!**

Energy saving hints:

- Ensure the lid fits properly in order to save energy. Furthermore, if you use a glass lid you can effectively monitor the cooking process.
- Use as little water as possible when cooking.
- Use adequately sized pots and pans for the amount of food. For small quantities use pots and pans that are adapted to the amount of food. For example if you are preparing only 350 g of broccoli, use small cookware (diameter of bottom approx. 15 cm).
- Use pots and pans made of heat conducting materials; steel or enamelled cast-iron pans and pots will heat up more quickly and consume less energy than glass or ceramic cookware, for example.
- Use the lowest power setting that allows water to boil. Reduce the ongoing power setting as much as possible to keep the required temperature.
- Make sure the cookware is centred on the heating element

○ **APPLIANCE CLASS : Class 3**

○ **APPLIANCE CATEGORY :**

	<b>BE/FR</b>	<b>GB/IT/PT/LT/ES/CZ/SK</b>	<b>PL/DE</b>
Cat.	II 2E+3+	II 2H3+	II 2E3B/P
P(mbar)	20/25 - 28-30/37	20 - 28-30/37	20/25-37/50
	<b>HU/TR/SK/RO</b>	<b>NL</b>	<b>RU/KA/UKR</b>
Cat.	II 2H3B/P	II 2L3B/P	II 2E3B/P
P(mbar)	20-30	25 - 28-30	13-29

# Burner Features

Nominal hear input and rates see below at 15°C at 1013 mbar

COUNTRY	TYPE OF GAS	BURNER	Triple-Crown (3.8kW)		Rapid (3.0kW)		Semi-rapid (2.0kW)		Auxiliary (1.0kW)	
			Max	Min	Max	Min	Max	Min	Max	Min
GB,IT,FR, HU,BE,LT, NL,PT,ES, CZ,SK,RU, KZ,UKR, TR	G30 BUTANE 29 mbar	Injector make (1/100mm)	99		87		70		50	
		Nominal heat input (kW)(Hs)	3.80	1.95	3.00	0.81	2.00	0.65	1.00	0.41
		Nominal flow rates (g/h)	267	137	211	57	137	45	71	29
GB,IT,FR, HU,BE,LT, NL,PT,ES, CZ,SK	G31 PROPANE 37 mbar	Injector make (1/100mm)	99		87		70		50	
		Nominal heat input (kW)(Hs)	3.80	1.95	3.00	0.81	2.00	0.65	1.00	0.41
		Nominal flow rates (g/h)	254	130	199	54	135	44	68	27
DE,NL	G30 BUTANE 50 mbar	Injector make (1/100mm)	90		78		62		46	
		Nominal heat input (kW)(Hs)	3.80	1.95	3.00	0.81	2.00	0.65	1.00	0.41
		Nominal flow rates (g/h)	267	137	211	57	137	45	71	29
PL	G30 BUTANE 37 mbar	Injector make (1/100mm)	93		82		66		48	
		Nominal heat input (kW)(Hs)	3.80	1.95	3.00	0.81	2.00	0.65	1.00	0.41
		Nominal flow rates (g/h)	259	133	203	55	143	46	71	29
GB,IT,FR, HU,BE,LT, NL,PT,ES, CZ,SK,DE, PL,NL,TR	G20 NATURAL 20 mbar	Injector make (1/100mm)	141		130		106		78	
		Nominal heat input (kW)(Hs)	3.80	1.95	3.00	0.81	2.00	0.65	1.00	0.41
		Nominal flow rates (g/h)	361	185	271	73	190	62	91	39
RU,KZ, UKR	G20 NATURAL 13 mbar	Injector make (1/100mm)	168		145		115		85	
		Nominal heat input (kW)(Hs)	3.80	1.95	3.00	0.81	2.00	0.65	1.00	0.41
		Nominal flow rates (g/h)	450	230	340	90	235	77	113	48
NL	G25 NATURAL 25 mbar	Injector make (1/100mm)	154		130		110		79	
		Nominal heat input (kW)(Hs)	3.80	1.95	3.00	0.81	2.00	0.65	1.00	0.41
		Nominal flow rates (g/h)	421	216	332	90	221	72	110	45

BURNER	Calibrated orifice 1/100mm (G30/29mbar)	Calibrated orifice 1/100mm (G30/50mbar)
Auxiliary	29	25
Semi-rapid	34	31
Rapid	43	39
Triple-Crown	68	63

GB: United Kingdom  
 IT : Italy  
 FR : France  
 HU: Hungary  
 BE : Belgium  
 LT : Lithuania  
 NL : Netherlands  
 UKR: Ukraine  
 TR: Turkish

PT: Portugal  
 ES: Spain  
 CZ: Czech Republic  
 SK: Slovakia  
 DE: Germany  
 PL: Poland  
 RU: Russian  
 KZ: Kazakhstan

TECHNICAL INSTRUCTION

# Trouble Shooting

- Repairs should be performed by a licensed technician only. Improper repair may result in considerable danger to you and others. If your cooktop needs repair, contact a SAMSUNG Service Centre or your dealer.
- However, some minor problems can be resolved as follows :

Problem	Probable cause	Solution
Not ignited	No Spark.	Check the electricity supply.
	The burner lid is badly assembled.	Assemble the lid correctly.
	The gas supply is closed.	Open the gas supply completely.
Badly ignited	The gas supply is not completely open.	Open the gas supply completely.
	The burner lid is badly assembled.	Assemble the lid correctly.
	The ignition plug is contaminated with alien substance.	Wipe alien substance with a dry cloth .
	The burners are wet.	Dry the burners lids carefully.
	The holes in the flame spreader are clogged.	Clean the flame spreader.
Noise made when combusted and ignited	The burner lid is badly assembled.	Assemble the burner lid correctly.
Flame goes out when in use.	The flame supervision device is contaminated with alien substance.	Clean the flame supervision device.
	Product being cooked has boiled over and extinguished the flame.	Turn off burner knob. Wait one minute and reignite zone.
	A strong draught may have blown the flame out .	Please turn off zone and check cooking area for draught such as open windows. Wait one minute and reignite zone
Yellow Flame	The holes in the flame spreader are clogged.	Clean the flame spreader.
	Different gas is used.	Check the gas used.
Unstable Flame	The burner lid is badly assembled.	Assemble the burner lid correctly.
Gas Smell	Gas leakage	Stop using the product and close the middle valve. Open the window to ventilate. Contact our service centre by using a phone outside.



- If problem is not solved, please contact the Samsung customer care centre.

# SAMSUNG

## QUESTIONS OR COMMENTS

COUNTRY	CALL	OR VISIT US ONLINE AT
AUSTRIA	0800-SAMSUNG(7267864, €0.07/min)	<a href="http://www.samsung.com/at">www.samsung.com/at</a>
BELGIUM	02-201-24-18	<a href="http://www.samsung.com/be">www.samsung.com/be</a> (Dutch) <a href="http://www.samsung.com/be_fr">www.samsung.com/be_fr</a> (french)
DENMARK	70 70 19 70	<a href="http://www.samsung.com/dk">www.samsung.com/dk</a>
FINLAND	030-6227 515	<a href="http://www.samsung.com/fi">www.samsung.com/fi</a>
FRANCE	01 48 63 00 00	<a href="http://www.samsung.com/fr">www.samsung.com/fr</a>
GERMANY	0180 6 SAMSUNG bzw. 0180 6 7267864* [HHP] 0180 6 M SAMSUNG bzw. 0180 6 67267864* (*0,20 €/Anruf aus dem dt. Festnetz, aus dem Mobilfunk max. 0,60 €/Anruf)	<a href="http://www.samsung.com/de">www.samsung.com/de</a>
ITALIA	800-SAMSUNG(800.7267864) [HHP] 800.Msamsung (800.67267864)	<a href="http://www.samsung.com/it">www.samsung.com/it</a>
CYPRUS	8009 4000 only from landline,toll free	<a href="http://www.samsung.com/gr">www.samsung.com/gr</a>
GREECE	80111-SAMSUNG(80111 726 7864) only from land line (+30)210 6897691 from mobile and land line	
LUXEMBURG	261 03 710	<a href="http://www.samsung.com/be_fr">www.samsung.com/be_fr</a>
NETHERLANDS	0900-SAMSUNG(0900-7267864)(€0,10/Min)	<a href="http://www.samsung.com/nl">www.samsung.com/nl</a>
NORWAY	815 56480	<a href="http://www.samsung.com/no">www.samsung.com/no</a>
PORTUGAL	808 20 7267	<a href="http://www.samsung.com/pt">www.samsung.com/pt</a>
SPAIN	003490217678 [HHP] 0034902167267	<a href="http://www.samsung.com/es">www.samsung.com/es</a>
SWEDEN	0771 726 7864 (0771-SAMSUNG)	<a href="http://www.samsung.com/se">www.samsung.com/se</a>
SWITZERLAND	0800 726 78 64 (0800 - SAMSUNG)	<a href="http://www.samsung.com/ch">www.samsung.com/ch</a> (German) <a href="http://www.samsung.com/ch_fr">www.samsung.com/ch_fr</a> (french)
U.K.	0330 SAMSUNG(7267864)	<a href="http://www.samsung.com/uk">www.samsung.com/uk</a>
EIRE	0818 717100	<a href="http://www.samsung.com/ie">www.samsung.com/ie</a>
POLAND	801-172-678* lub +48 22 607-93-33* Dedykowana infolinia do obsługi zapytań dotyczących telefonów komórkowych: 801-672-678* lub +48 22 607-93-33* * (koszt połączenia według taryfy operatora)	<a href="http://www.samsung.com/pl">www.samsung.com/pl</a>
ROMANIA	*8000 (apel in retea) 08008-726-78-64 (08008-SAMSUNG) Apel GRATUIT	<a href="http://www.samsung.com/ro">www.samsung.com/ro</a>
TURKEY	444 77 11	<a href="http://www.samsung.com/tr">www.samsung.com/tr</a>
AUSTRALIA	1300 362 603	<a href="http://www.samsung.com/au">www.samsung.com/au</a>
RUSSIA	8-800-555-55-55	<a href="http://www.samsung.com/ru">www.samsung.com/ru</a>
GEORGIA	0-800-555-555	<a href="http://www.samsung.com">www.samsung.com</a>
ARMENIA	0-800-05-555	
AZERBAIJAN	0-88-55-55-555	
KAZAKHSTAN	8-10-800-500-55-500(GSM:7799)	<a href="http://www.samsung.com/kz_ru">www.samsung.com/kz_ru</a>
UZBEKISTAN	00-800-500-55-500 (GSM: 7799)	<a href="http://www.samsung.com">www.samsung.com</a>
KYRGYZSTAN	00-800-500-55-500 (GSM: 9977)	<a href="http://www.samsung.com">www.samsung.com</a>
TADJIKISTAN	8-10-800-500-55-500	<a href="http://www.samsung.com">www.samsung.com</a>
Mongolia	7-495-363-17-00	
BELARUS	810-800-500-55-500	
MOLDOVA	0-800-614-40	
UKRAINE	0-800-502-000	<a href="http://www.samsung.com/ua">www.samsung.com/ua</a> (Ukrainian) <a href="http://www.samsung.com/ua_ru">www.samsung.com/ua_ru</a> (Russian)

Language		REACH phrase
IT	Istruzioni di montaggio e d'uso	Per maggiori informazioni sull'impegno ecologico di Samsung e gli obblighi normativi specifici del prodotto es. REACH, WEE, Batterie visitare la pagina: <a href="https://samsung.com/uk/aboutsamsung/samsungelectronics/corporatecitizenship/data_corner.html">samsung.com/uk/aboutsamsung/samsungelectronics/corporatecitizenship/data_corner.html</a>
DE	Montage- und Gebrauchsanweisung	Weitere Informationen zum Engagement von Samsung für die Umwelt und zu produktspezifischen Auflagen wie z. B. REACH, WEEE, Batterien finden Sie unter <a href="https://samsung.com/uk/aboutsamsung/samsungelectronics/corporatecitizenship/data_corner.html">samsung.com/uk/aboutsamsung/samsungelectronics/corporatecitizenship/data_corner.html</a>
ES	Montaje y modo de empleo	Para obtener información sobre los compromisos ambientales de Samsung y las obligaciones reglamentarias específicas del producto, como REACH, WEEE, baterías visite: <a href="https://samsung.com/uk/aboutsamsung/samsungelectronics/corporatecitizenship/data_corner.html">samsung.com/uk/aboutsamsung/samsungelectronics/corporatecitizenship/data_corner.html</a>
FR	Instructions pour l'installation et mode d'emploi	Pour obtenir des informations sur les engagements environnementaux de Samsung et sur les obligations réglementaires spécifiques à l'appareil (par ex. la réglementation REACH, la directive DEEE, la norme relative aux batteries), rendez-vous sur : <a href="https://samsung.com/uk/aboutsamsung/samsungelectronics/corporatecitizenship/data_corner.html">samsung.com/uk/aboutsamsung/samsungelectronics/corporatecitizenship/data_corner.html</a>
EN	Instruction on mounting and use	For information on Samsung's environmental commitments and product specific regulatory obligations e.g. REACH, WEEE, Batteries, visit : <a href="https://samsung.com/uk/aboutsamsung/samsungelectronics/corporatecitizenship/data_corner.html">samsung.com/uk/aboutsamsung/samsungelectronics/corporatecitizenship/data_corner.html</a>
PT	Instruções para instalação e utilização	Para obter informações sobre os compromissos ambientais da Samsung e sobre as obrigações regulamentares específicas de produtos, por exemplo, o regulamento REACH, WEEE, baterias, visite: <a href="https://samsung.com/uk/aboutsamsung/samsungelectronics/corporatecitizenship/data_corner.html">samsung.com/uk/aboutsamsung/samsungelectronics/corporatecitizenship/data_corner.html</a>
PL	Instrukcja montażu i obsługi	Aby dowiedzieć się więcej o deklaracjach środowiskowych firmy Samsung oraz o konkretnych zobowiązaniach wynikających z przepisów dotyczących produktu, np. rozporządzenie REACH, WEEE, dotyczące baterii, odwiedź: <a href="https://samsung.com/uk/aboutsamsung/samsungelectronics/corporatecitizenship/data_corner.html">samsung.com/uk/aboutsamsung/samsungelectronics/corporatecitizenship/data_corner.html</a>
CS	Návod na montáž a používání	Více informací o ochraně životního prostředí a regulační povinnosti týkající se konkrétních výrobků společnosti Samsung, například REACH, WEEE a pro baterie naleznete na webové stránce: <a href="https://samsung.com/uk/aboutsamsung/samsungelectronics/corporatecitizenship/data_corner.html">samsung.com/uk/aboutsamsung/samsungelectronics/corporatecitizenship/data_corner.html</a>
SK	Návod k montáži a užití	Viac informácií o ochrane životného prostredia a regulačných povinnostiach týkajúcich sa konkrétnych výrobkov spoločnosti Samsung, napríklad REACH, OEEZ alebo batérií, nájdete na webovej stránke: <a href="https://samsung.com/uk/aboutsamsung/samsungelectronics/corporatecitizenship/data_corner.html">samsung.com/uk/aboutsamsung/samsungelectronics/corporatecitizenship/data_corner.html</a>
DA	Bruger- og monteringsvejledning	Du kan finde informationer om Samsungs miljøforpligtelser og produktspecifikke lovgivningsmæssige forpligtelser, som f.eks. REACH, WEEE, batterier, på: <a href="https://samsung.com/uk/aboutsamsung/samsungelectronics/corporatecitizenship/data_corner.html">samsung.com/uk/aboutsamsung/samsungelectronics/corporatecitizenship/data_corner.html</a>
NO	Instrukser for montering og bruk	Ønsker du informasjon om Samsungs miljøengasjement og produktspecifikke lovpålagteforpliktelser, f.eks. REACH, WEEE, batterier se: <a href="https://samsung.com/uk/aboutsamsung/samsungelectronics/corporatecitizenship/data_corner.html">samsung.com/uk/aboutsamsung/samsungelectronics/corporatecitizenship/data_corner.html</a>
FI	Asennus- ja käyttöohjeet	Lisätietoja Samsungin ympäristösitoumuksista ja tuotekohtaisista lainsäädännöllisistä velvollisuuksista (esim. REACH, WEEE, akut) on osoitteessa <a href="https://samsung.com/uk/aboutsamsung/samsungelectronics/corporatecitizenship/data_corner.html">samsung.com/uk/aboutsamsung/samsungelectronics/corporatecitizenship/data_corner.html</a>
SV	Monterings- och bruksanvisningar	Besök följande sida om du vill veta mer om Samsungs miljöengagemang och om produktspecifika lagenliga skyldigheter (t.ex. REACH, WEEE, batterier): <a href="https://samsung.com/uk/aboutsamsung/samsungelectronics/corporatecitizenship/data_corner.html">samsung.com/uk/aboutsamsung/samsungelectronics/corporatecitizenship/data_corner.html</a>
HU	Felszerelési és használati utasítás	További információkért a Samsung környezetvédelmi kötelezettségvállalásairól és a termékspecifikus szabályozási kötelezettségeiről (pl. REACH, WEEE, Akkumulátorok) látogasson el a <a href="https://samsung.com/uk/aboutsamsung/samsungelectronics/corporatecitizenship/data_corner.html">samsung.com/uk/aboutsamsung/samsungelectronics/corporatecitizenship/data_corner.html</a> oldalra.



