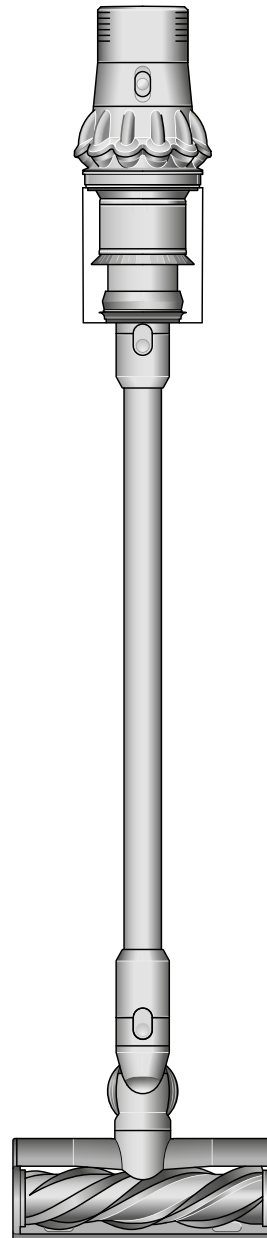


# dyson cyclone v10

## User manual

SV12 JN.00000 PN.000000-00-00  
00.00.00 VERSION NO.01



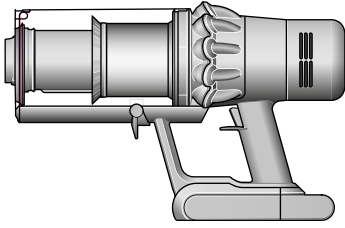
---

In the box  
Getting started  
Caring for your floors  
Charging your machine  
Emptying your bin  
Cleaning your bin  
Clearing blockages  
Clearing obstructions from your  
Motorbar™ cleaner head

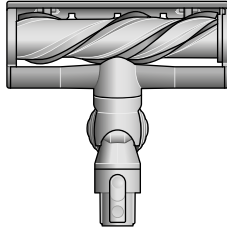
Clearing blockages from your  
Mini motorised tool  
Clearing blockages from your  
Hair screw tool  
Washing your filter  
Washing your Fluffy™ brush bars  
Cleaning your tools  
Looking after your machine

# In the box

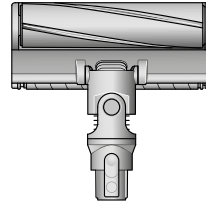
Your machine will come with one or more of these cleaner heads – not all will be included.



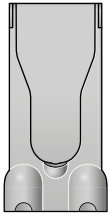
**Vacuum cleaner**



**Motorbar™ cleaner head**  
De-tangling vanes automatically clear wrapped hair from the brush bar as you clean.



**Fluffy™ cleaner head**  
Soft woven nylon removes large debris, while anti-static carbon fibre filaments extract fine dust from hard floors.



**Wall dock**  
The Dyson cordless vacuum drops into the wall-mounted charging dock, ready for your next clean.



**Wand clip**  
Clips to your vacuum's wand to hold tools.



**Charger**  
Charges your vacuum with or without a dock.



**Wand**

Some tools may not be included.

You can buy additional tools at [www.dyson.com](http://www.dyson.com).



**Combination tool**  
Two tools in one – wide nozzle and brush, for quick switching between cleaning and dusting tasks around your home or car.



**Crevice tool**  
Engineered for precise cleaning around tricky edges and into hard-to-reach narrow spaces.



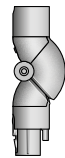
**Extension hose**  
Adds up to 61cm of flexible reach to any tool attachment, to clean up high or down low in your home or car.



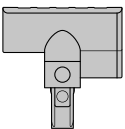
**Flexi crevice tool**  
Extends and bends. For hard-to-reach places around your home and car.



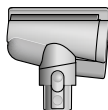
**Up-top adaptor**  
Bends and locks at different angles. Fits any compatible tool for effective cleaning in hard-to-reach high areas of your home.



**Low-reach adaptor**  
Bends to comfortably reach down low. Engineered to clean further under low furniture by adjusting the wand angle up to 90°.



**Mini motorised tool**  
Motorised brush bar, concentrated in a smaller head to remove stubborn dirt from mattresses, upholstery and stairs.



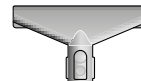
**Hair screw tool**  
Anti-tangle conical brush bar spirals hair off and into the bin. Motor-driven cleaning for smaller spaces.



**Soft dusting brush**  
Enclosed in a skirt of soft nylon bristles for gentle, vacuum-assisted dusting of delicate objects and surfaces.



**Stubborn dirt brush**  
Stiff nylon bristles dislodge ground-in dirt from coarse carpets, high traffic areas and car interiors.

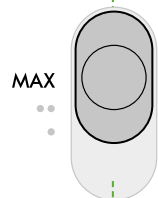
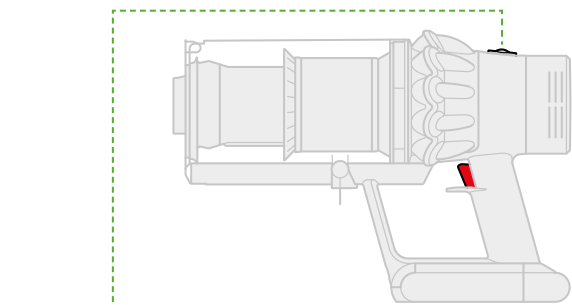


**Fabric and mattress tool**  
Removes dust, dirt and allergens from mattresses and upholstery.

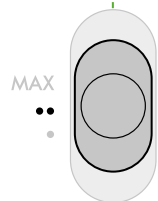
# Getting started

## Power modes

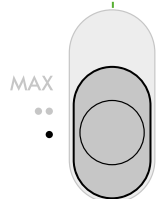
The right power when you need it.  
Three modes to choose from, to suit  
any task on any floor type.



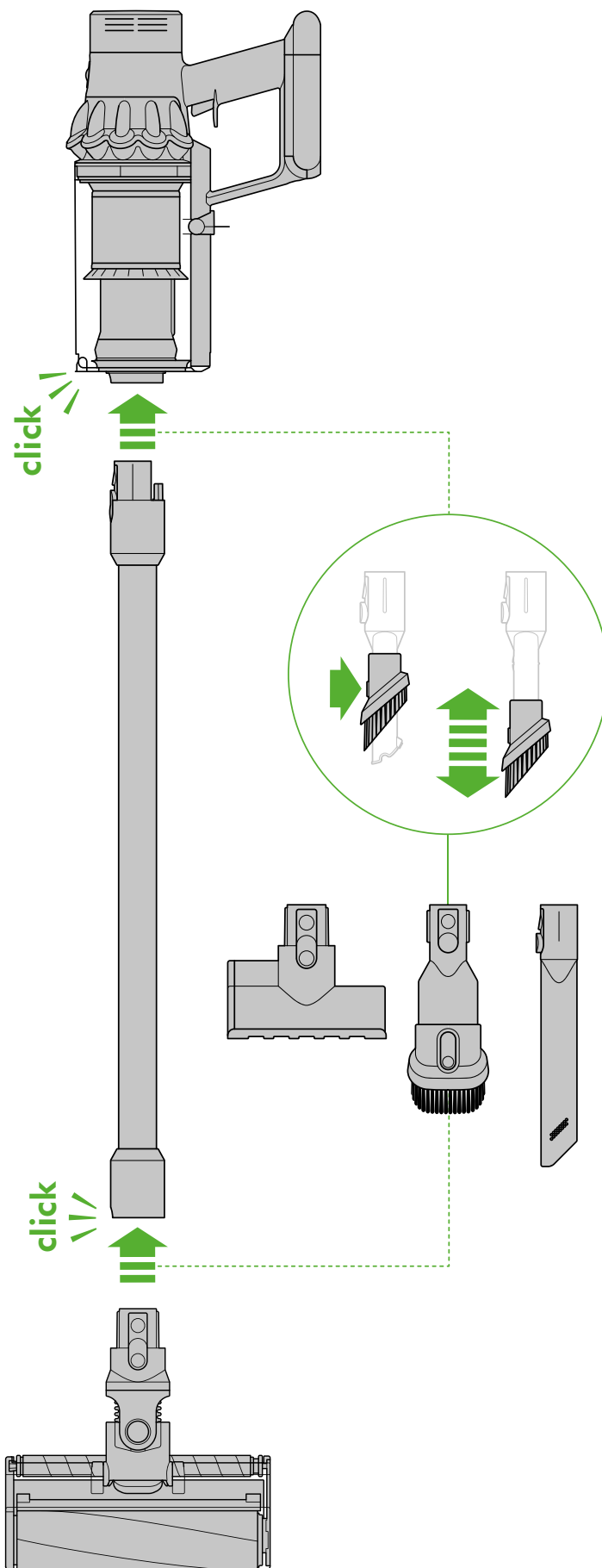
**Maximum suction**  
Intensive cleaning for  
ground-in dirt.



**Suction mode 2**  
The optimum balance of  
power and run time.



**Suction mode 1**  
Maximum run time for  
longer cleans.



# Caring for your floors

Check that the underside of the cleaner head or tool is clean and free from any objects that may cause damage.

Before vacuuming your flooring, rugs, and carpets, check the manufacturer's recommended cleaning instructions.

The brush bar on your machine can damage certain carpet types and floors. Some carpets will fuzz if a rotating brush bar is used when vacuuming. If this happens, we recommend vacuuming without the motorised floor tool and consulting with your flooring manufacturer.

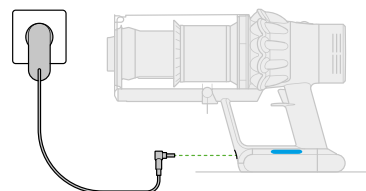
---

## Charging your machine

Connect to the charger either directly or in the dock.

Your machine won't operate or charge if the ambient temperature is below 5°C (41°F). This is designed to protect both the motor and battery.

The LED lights on your machine will tell you the level of charge.



Charging, low charge.



Charging, medium charge.



Charging, nearly full.

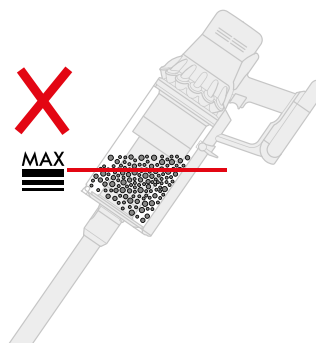


Fully charged.



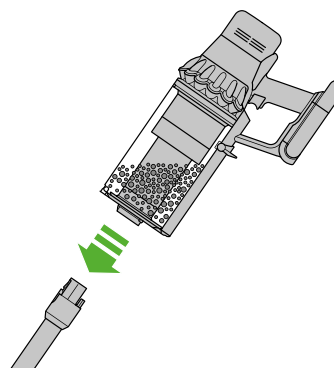
# Emptying your bin

Empty as soon as the dirt reaches the MAX level – don't overfill. Using your machine when the dirt is above the MAX line may affect the performance and require more frequent filter washing.



## Remove your wand

Press the red wand release button, on the top of the wand, and pull the wand away from the bin.

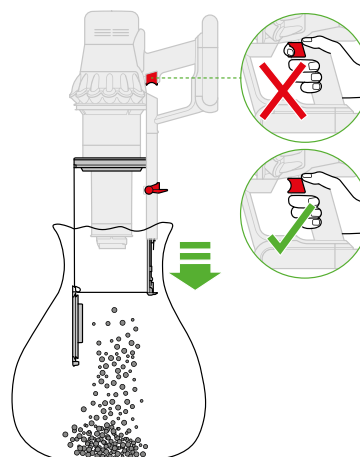


## Release the dirt

Hold the machine over the bin, pointing downwards.

Firmly push the red bin release button. The bin will slide down, cleaning the shroud as it goes, and the bin base will open.

The bin base won't open if the red bin release button isn't pushed down all the way.

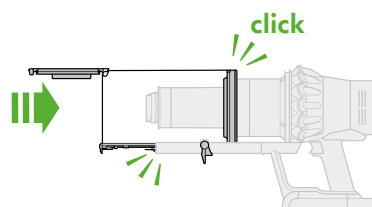


## Minimise dust contact

Cover your bin tightly in a dust proof bag while you empty. Remove your bin carefully, seal the bag tightly and dispose.

## Close the bin

Push the bin base upwards until your bin and bin base click into place.



# Cleaning your bin

## Remove your bin

If it is necessary to clean your bin, empty it as shown in the 'Emptying your bin' section.

Press the red button located on the bin runner to release the bin and slide your bin off the runner.

Only use a damp, lint-free cloth to clean your bin.

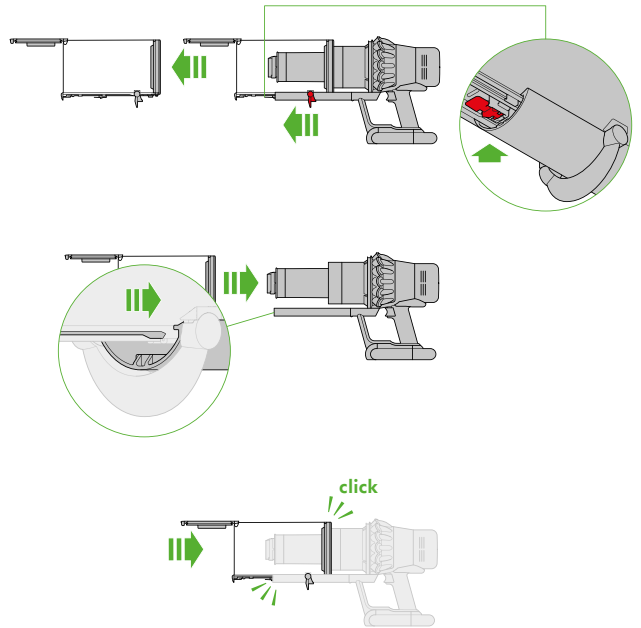
Make sure that your bin and seals are completely dry before replacing.

## Refit your bin

Insert the spine on to the bin runner.

Close your bin by pushing the bin base upwards until the bin and bin base click into place.

Your bin isn't dishwasher safe and the use of detergents, polishes or air fresheners to clean your bin isn't recommended, as it may damage your machine.



# Clearing blockages

Disconnect your machine from the charger before looking for blockages. Be careful not to touch the power button and be aware of sharp objects.

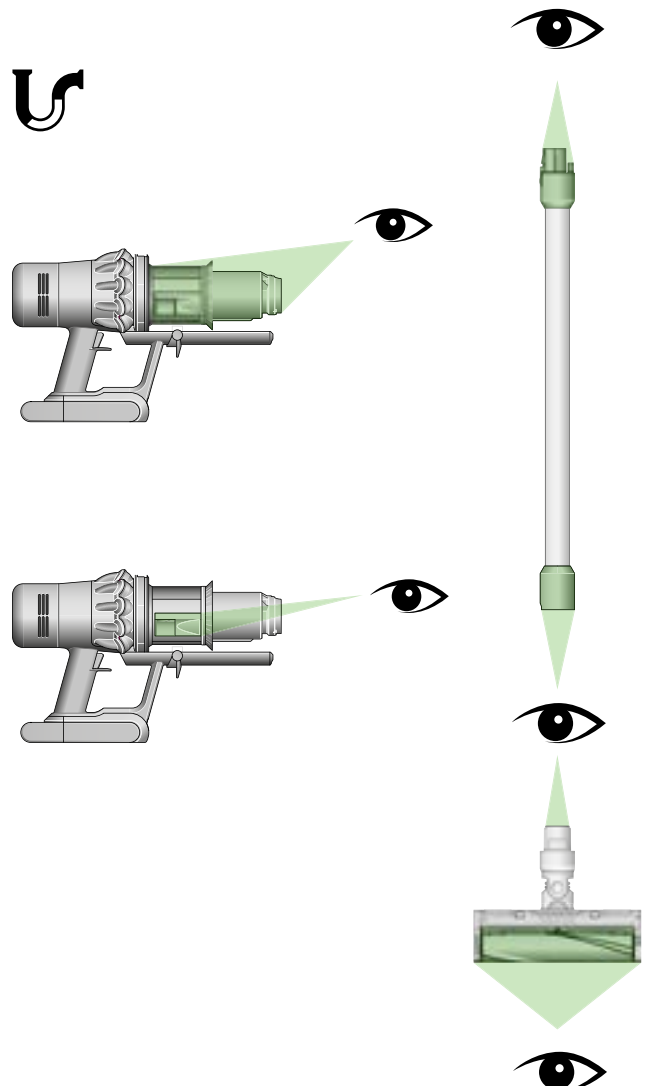
Leave your machine to cool down before looking for blockages.

Don't use your machine when looking for blockages as this could cause injury.

If your machine detects a blockage, the motor will pulse six times. You won't be able to use your machine until the blockage has been cleared.

If you try to use your machine when the motor is pulsing, it will automatically cut out.

Leave your machine to cool down before looking for blockages and, for your safety, take care not to touch the trigger.



# Clearing obstructions from your Motorbar™ cleaner head

Your Motorbar™ cleaner head doesn't have a washable brush bar. To maintain optimum performance, check your brush bar regularly and clear any obstructions.

Make sure your machine is disconnected from the charger and take care not to touch the trigger.



## Remove your brush bar

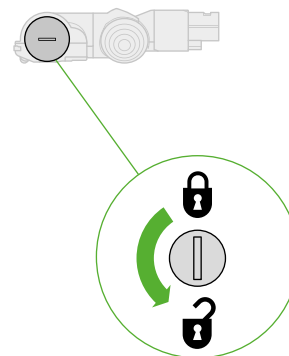
Don't put any part of your machine in a dishwasher or use detergents, polishes or air fresheners.

Press the cleaner head release button on the end of the wand. Place the cleaner head upside down.

Use a coin to unlock the end cap.

Twist the end cap and remove it from your brush bar. Don't wash the end cap.

Slide your brush bar out of the cleaner head.



## Look for obstructions

Clear any debris from your brush bar.

Check inside the cleaner head and remove any debris or blockages.

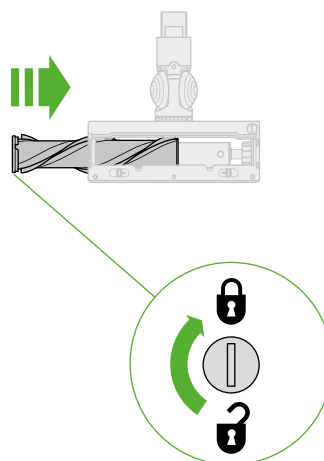
Your Motorbar™ cleaner head and brush bar aren't washable. Wipe over with a damp lint-free cloth.

## Replace your brush bar

Push the end cap back on to your brush bar and slide it back into the cleaner head.

Turn the end cap into the locked position.

Your cleaner head isn't washable and should only be wiped over with a damp lint-free cloth.



# Clearing blockages from your Mini motorised tool

Your Mini motorised tool doesn't have a washable brush bar. To maintain optimum performance, check your brush bar regularly and clear any obstructions.

Make sure your machine is disconnected from the charger and take care not to touch the trigger.

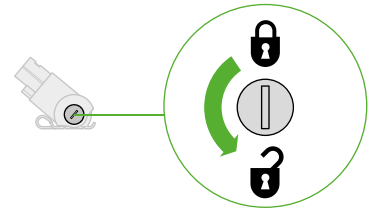
## Remove your brush bar

Don't put any part of your machine in a dishwasher or use detergents, polishes or air fresheners.

Use a coin to unlock the end cap.

Twist the end cap and remove it from your brush bar. Don't wash the end cap.

Slide your brush bar out of the cleaner head.

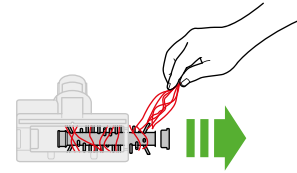


## Look for obstructions

Clear any debris from your brush bar.

Check inside the cleaner head and remove any debris or blockages.

Your Mini motorised tool and brush bar aren't washable. Wipe over with a damp lint-free cloth.

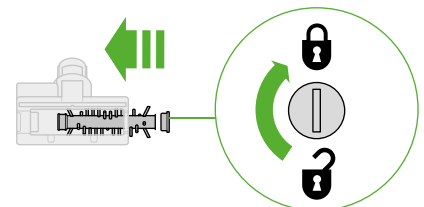


## Replace your brush bar

Push the end cap back on to your brush bar and slide it back into the cleaner head.

Turn the end cap into the locked position.

Your cleaner head isn't washable and should only be wiped over with a damp lint-free cloth.





# Clearing blockages from your Hair screw tool

Your Hair screw tool doesn't have a washable brush bar. To maintain optimum performance, check your brush bar regularly and clear any obstructions.

Make sure your machine is disconnected from the charger and take care not to touch the trigger.

## Remove the cover and brush bar

Remove the Hair screw tool from the wand or machine.

Push the base plate open. Press the red lever down to release the cleaner head cover.

Pull the cleaner head cover off the main body of the tool.

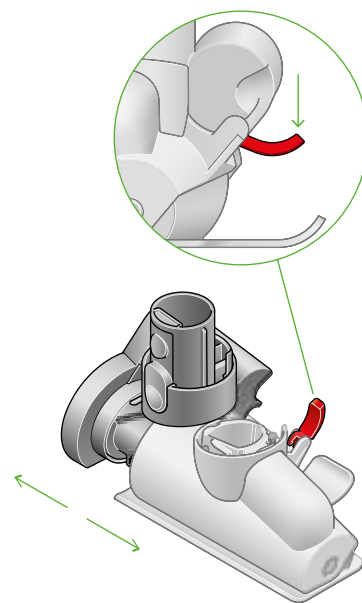
## Look for obstructions

Pull your brush bar firmly to remove it from the main body.

Check and remove any obstructions from all three parts of your Hair screw tool.

Your Hair screw tool isn't washable. Wipe over with a damp lint-free cloth.

Don't put any part of your machine in a dishwasher or use detergents, polishes or air fresheners.

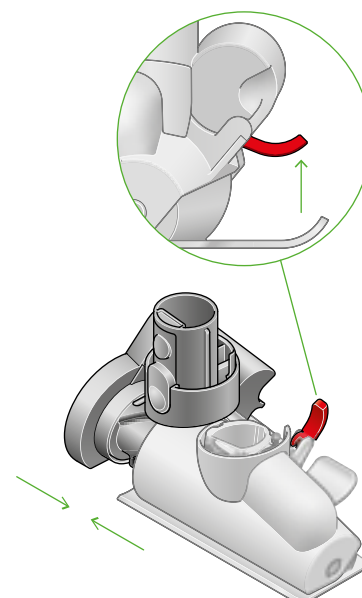


## Re-assemble Hair screw tool

Put your brush bar back into position and press firmly until it clicks back into position.

Check the red locking lever is in the unlocked position. Align the cleaner head cover with the guide on the main body. Push it down until it clicks into position.

Push the red locking lever up until it clicks into position and push the base plate back into place.



# Washing your filter

Wash your filter at least once a month to maintain optimum suction power.

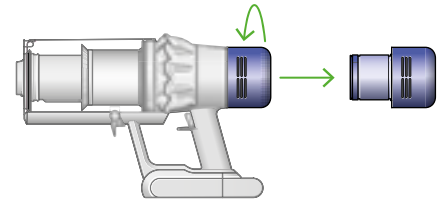
The filter LED will illuminate on the top of your battery when the filter needs cleaning. This LED will flash if the filter isn't fitted correctly.

For more information and support videos for your machine go online: [www.dyson.com/support](http://www.dyson.com/support)

## Twist off your filter

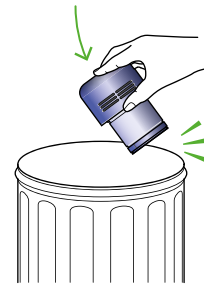
Twist your filter anti-clockwise and pull it away from your machine.

FILTER  
FILTRE  
FILTRO



## Tap your filter

Before washing your filter, tap it gently over a bin to remove any loose dust and debris.



## Wash your filter

Wash with warm, running tap water – gently rubbing your filter with your fingers to remove the dirt.

## Fill and shake

Fill the filter with warm tap water.

Place your hand over the open end of the filter and shake it firmly to remove trapped dirt and debris.

Repeat these steps until the water runs clear.



## Shake and dry

Empty the filter and shake firmly to remove excess water.

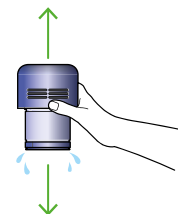
Keep shaking until there's no water coming from the filter.

Place your filter end up, as shown.

Place the filter on its end and leave to dry for at least 24 hours in a well ventilated, warm place.

Don't dry your filter in a tumble dryer, microwave or near a naked flame.

Important: your filter must be completely dry before you put it back into the machine. Your machine could be damaged if used with a damp filter.



# Washing your Fluffy™ brush bars

Your machine has two washable brush bars. To maintain optimum performance, check and wash your brush bars regularly.

Make sure your machine is disconnected from the charger and take care not to touch the trigger.

## Remove your brush bars

Don't put your brush bars in a dishwasher, washing machine, tumble dryer, oven, microwave or near a naked flame.

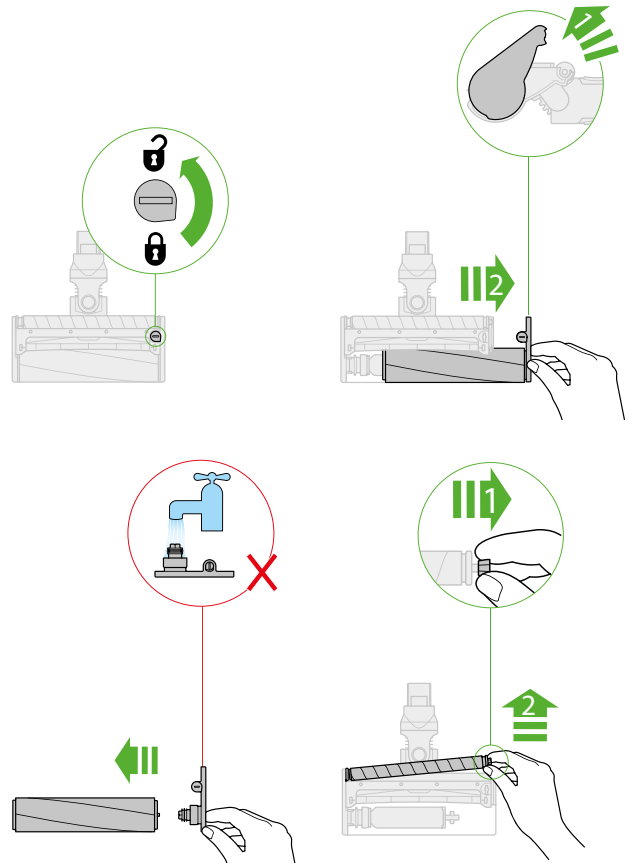
Only use cold water to wash your brush bars and don't use any detergents.

Turn the cleaner head upside down. Use a coin to turn the end cap lock 180° anticlockwise until it clicks into the unlocked position.

Push the end cap up to the open position and slide the brush bar out of the cleaner head.

Remove the end cap from the brush bar and don't wash it.

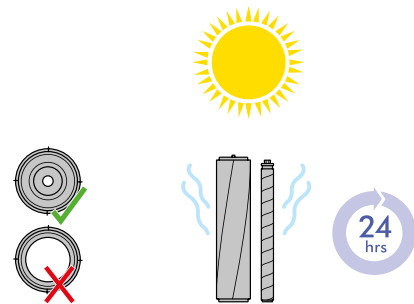
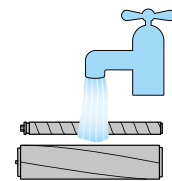
Lift the smaller brush bar out of the cleaner head.



## Wash and dry your brush bars

Hold your brush bars under running water and gently rub to remove any lint or dirt.

Stand your brush bars upright as shown. Leave to dry completely for at least 24 hours.

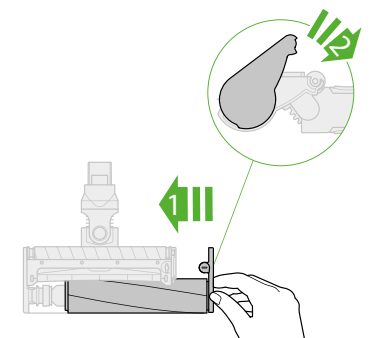
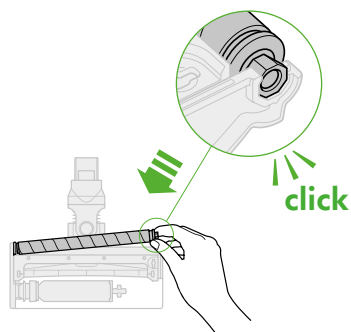


Before replacing, check that your brush bars are completely dry. Refit your small brush bar first, insert the round end into place and then push down the octagonal end until it clicks into place.

Reattach the end cap to your main brush bar.

Slide your main brush bar into the cleaner head. Push the end cap back down to the closed position.

Turn the end cap lock 180° clockwise to the locked position. Check that the fastener and brush bars are all securely in place.



# Cleaning your tools

Don't put any part of your machine in a dishwasher or use detergents, polishes or air fresheners.

Wipe with a damp, lint-free cloth, without touching the connector end.

Make sure your tools are completely dry before using.



Combination tool



Crevice tool



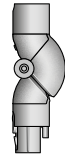
Extension hose



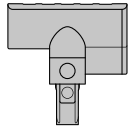
Flexi crevice tool



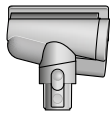
Up-top adaptor



Low-reach adaptor



Mini motorised tool



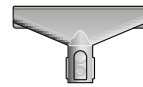
Hair screw tool



Soft dusting brush



Stubborn dirt brush



Fabric and mattress tool

# Looking after your machine

To always get the best performance from your machine, it's important to clean it regularly and check for blockages.

## Look after your machine

If your machine is dusty, wipe with a damp lint-free cloth.

Check for blockages in the cleaner head, tools and main body of your machine.

Wash your filter regularly and leave to dry completely.

Don't use detergents or polishes to clean your machine.

## Look after your battery

To get the best performance and life from your battery, use Eco mode.

Your machine won't operate or charge if the ambient temperature is below 5°C (41°F). This is designed to protect both the motor and battery.

## Diagnostic lights

If you see a diagnostic light on your machine, call Dyson for assistance.

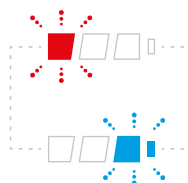
Battery fault.



Main body fault.



Charger fault.



## Your serial numbers

You can find your serial numbers on your machine, battery and charger. Use your serial number to register.