

Vybra

Oscillator Fan Manual

SKU: VS001-OfG EAN: 5060663690388 (GRAPHITE)

SKU: VS001-Of EAN: 5060663690272 (ARCTIC)



Before using your unit, please read these instructions and keep them for future reference

Vybra Solutions Ltd, 5 Kingsway, Andover, UK

sales@vybrasolutions.co.uk

+44(0) 330 100 5206

vybrasolutions.co.uk



1. Important Safety Information

WARNING

When using electrical appliances, basic precautions should always be followed to reduce the risk of fire, electrical shock and injury.

1. Only use this appliance for the purposes described in the instruction manual.
2. Only connect this product to main power compliant with the information on the power plate.
3. Do not cover this product with objects to avoid overheating or fire.
4. Confirm the power is compliant with the label.
5. Do not use if the power cord is not damaged in any way.
6. Do not fold or pull the power cord hard.
7. Changing the power cord must be performed by professionals.
8. Do not place this product right under a power socket.
9. Do not use this product in bathroom or near a pool.
10. Keep children away from this product while it is working.
11. Please unplug when moving this product or power supply breaks.
12. Do not insert fingers or objects into the product.
13. Do not unplug the plug with wet hands
14. Never submerge the product, power cord or plug into water.



CORRECT DISPOSAL OF THE PRODUCT

This marking indicates that this product should not be disposed of with other household waste throughout the UK. To prevent possible harm to the environment or human health from uncontrolled waste disposal, recycle it responsibly to promote the sustainable reuse of material resources.

2. Technical Information

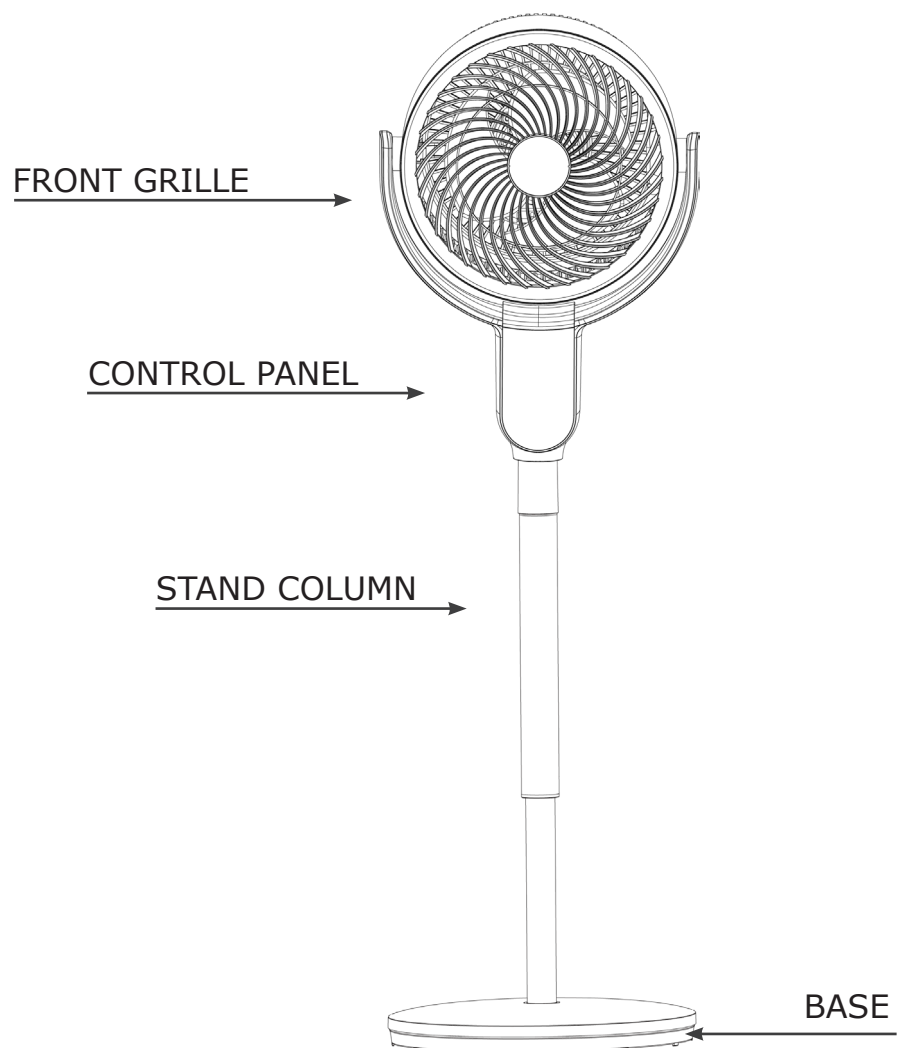
SKU & EAN	Voltage	Power	Frequency	Control
VS001-OFG - 5060663690388	220-240V	50W	50-60Hz	Remote with battery

3. Installation Instructions

Please follow these instructions when using this product:

1. Carefully unpack the product and all accessories.
 - *Keep the package materials out of reach of children.
 - *Carefully check for any external damage.
2. Remove the screw stem from the bottom of the column.
3. Put the column into the hole of the base.
4. Fasten the screw.
5. Install the main part by rotating it into the column.
6. Before connecting the product, please check that:
 - *The main power source is corresponds with the information on the power plate.
 - *The socket and power cord are suitable for this product.
 - *The plug of power cord fits in the socket.
 - *The product is placed on a stable and flat surface

4. Structural Diagram



5. Control Panel Instructions

The unit can be controlled by either the remote or pressing the buttons on the control panel.

ON/OFF key:

The product turns **ON** or **OFF** when pressing this button.

Speed button:

Speed increases one level by touching the speed key on the panel or speed button on the remote accordingly - 3 speeds in one cycle.

Timer button:

Press this button when the power is **ON** and the timer increases by one hour intervals until 12 hours is reached.

The unit will turn off automatically when the time set is up.

To cancel or reset the timer - press this key continuously until it displays '00'.

Oscillation button:

The unit's head will turn **ON** horizontally when pressing the oscillation button. It will turn **OFF** when pressed again.

The vertical swing turns **ON** when held for 3 seconds, and turns **OFF** by holding for 3 seconds.

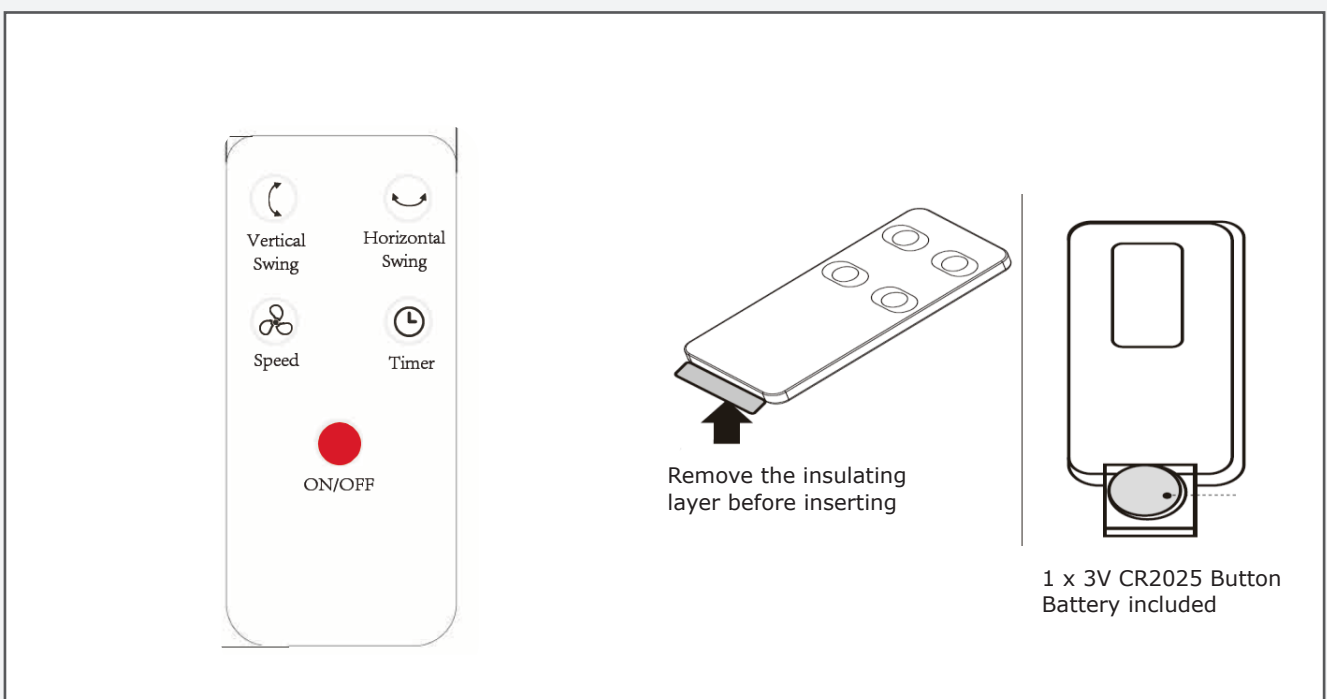
- **DO NOT** move the fan head by hand.

Screen off Function:

The indicator lights on the screen will go out after 3 minutes without operation.

The screen will awaken when any key is pressed.

- Functions on the Remote are the same as the manual control panel on the unit.
- The control distance of the Remote is about 5 meters.
- Remove batteries when not in use for a long period of time.



6. Cleaning and Storage

Turn **OFF** the product and unplug from the socket before cleaning or maintenance.

Cleaning the exterior:

- Use a clean, soft cloth with neutral solvent to clean the exterior.
- Do not use corrosive or alkaline solvent to clean this product.
- Do not clean the inside of this product (circuit board, motor, etc.) with any solvent
- Ensure no water gets into the control circuit as this will cause a short circuit.
- Do not submerge the product, power cord or plug into water in any circumstances.
- Please pack up this product carefully for storage if this product is not used for a long period of time.

Product Features:

- Adjustable height pole
- 3 Speeds Control: - Low / Medium / High
- Vertical rotation angle of 90°
- Oscillation angle of 65°
- 1 to 12 hour Timer
- Remote control with battery included
- Room Temperature display
- Digital Screen display
- Auto off Screen in 3 minutes
- Removable easy to clean Grille
- Overheat protection for the motor
- Suitable for rooms up to 30m²

7. Height Adjustment Instructions

- On the main pole, locate the 'stem screw' on the stand column
- Holding the pole securely, unscrew the stem screw
- The inner pole will now slide up and down to your desired height
- Once in the right place, tighten the stem screw to secure

8. Electrical Diagram

