



Siemens
CM678G4S6B
Compact oven with microwave

Predecessor:
CM678G4S1B

Successor:

EAN code:
4242003751893

sales programme:

iQ700

Brand Value Class: IQ700
Compact oven with microwave
CM678G4S6B

Design

- Stainless steel control dial
- Bar handle
- Drop down oven door, softClose, softOpen
- Cavity inner surface: Enamel anthracite
- Full colour display

Key features

- activeClean cleaning
- 5.7" TFT touchDisplay Plus
- Digital display
- Digital temperature display with proposal
Actual temperature display
Heating-up indicator
Sabbath setting
- bakingSensor
roastingSensor Plus
- Electronic door lock
Control panel lock
Automatic safety switch off
Residual heat indicator
start button
Door contact switch

Features

- Electronic oven clock timer
- LED illumination
- Maximum door temperature 30 °C
- Microwave top door
- 3 shelf positions
- Smooth enamelled oven interior
- Integral cooling fan

Programmes/functions

- Compact oven with microwave with 15 heating methods:
4D hot air, hotairEco, conventional oven, Conventional heat ECO, hot air grilling, full width grill, half width grill, intensive hot air, coolStart, bottom heat, intensive conventional heat, low temperature cooking, keep warm, dehydrate, plate warming
- Fast pre-heating function
- cookControl Plus

Performance/technical information

- 45 litres
- Temperature range 30 °C - 300 °C
- Max. Power: 1000 W; 5 Microwave power settings (90 W,180 W,360 W,600 W,1000 W) with Inverter (MW)
- Maximum door temperature 30 °C

Included accessories

2 x combination grid, 1 x universal pan

Optional accessories

- HZ6PCC0 Cookbook

Alternative colors available

Technical Data

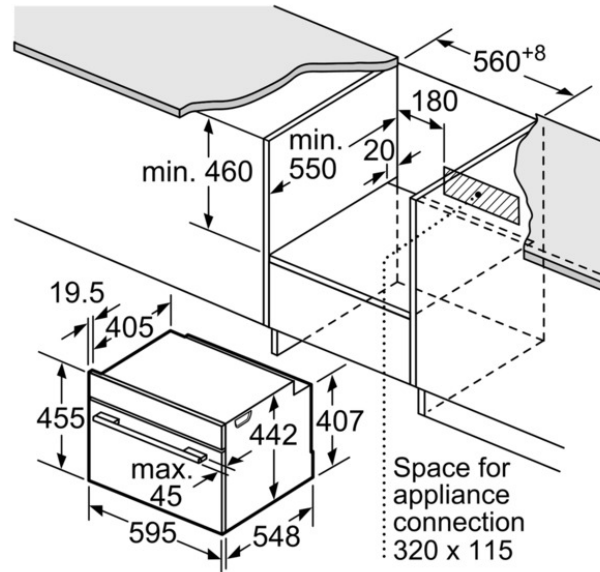
Characteristics

Type of micro-wave oven : MW-Combi
Control panel : Electronic
Color / Material Front : Stainless steel
Dimensions of the product (mm) : 455 x 595 x 548
Cavity dimensions (mm) : 237.0 x 480 x 392.0
Length of electrical supply cord (cm) : 120
Net weight (kg) : 38.0
Gross weight (kg) : 41.0
EAN code : 4242003751893

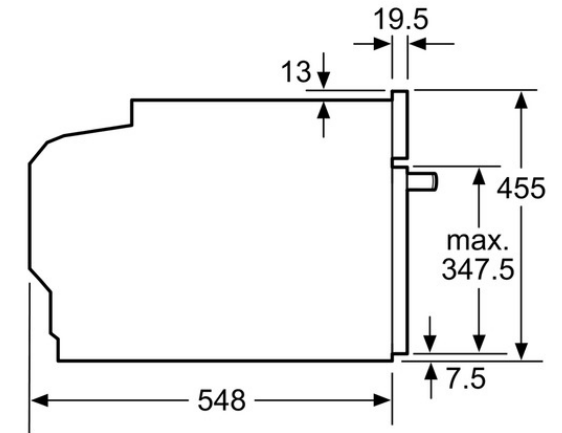
Consumption and connection features

Max. microwave power (W) : 1000
Connection rating (W) : 3650
Current (A) : 16
Nominal power (kW) : 220-240
Frequency (Hz) : 60; 50
Plug type : no plug

iQ700
 Brand Value Class: IQ700
 Compact oven with microwave
 CM678G4S6B



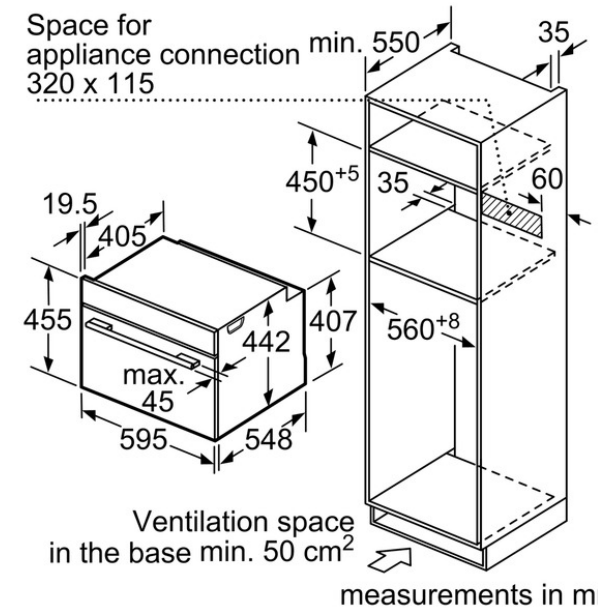
measurements in mm



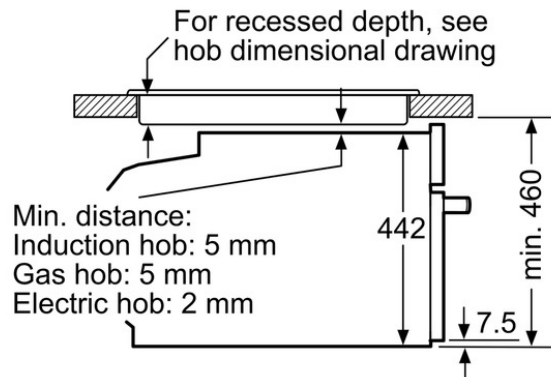
measurements in mm

Installation with a hob.

If the compact appliance will be installed underneath a hob, the following worktop thicknesses (including substructure if necessary) must be taken into account.



measurements in mm



measurements in mm

Hob type	min. worktop thickness	
	fitted	flush
Induction hob	42 mm	43 mm
Full surface induction hob	48 mm	53 mm
Gas hob	37 mm	47 mm
Electric hob	28 mm	30 mm