



iQ100
EB6B5PB60
60 cm, hob, Stainless steel

Design

- Easy to clean Stainless steel surface.
- cast iron finish pan supports with rubber feet
- Standard

Special features

- Design co-ordinated control dials
- Ignition via control dials

Power and size:

- 4 burner gas hob including:
- 4 gas
- Front left: High-speed burner - 3 KW
- Rear left: Standard burner - 1.7 KW
- Rear right: Standard burner - 1.7 KW
- Front right: Economy burner - 1 KW

Safety Features

- Factory set for connection to mains gas
- Flame failure safety device

Accessories

- LPG jets (28-30/37mbar) included

Technical information

- Power cord length 100 cm

Included accessories

Optional accessories

Alternative colors available

Technical Data

Characteristics

Product name/family : gas hob w integrated controls
 Construction type : Built-in
 Source of energy : Gas
 Total number of positions that can be used at the same time : 4
 Required niche size for installation (HxWxD) : 43 x 560-560 x 480-490
 Width (mm) : 580
 Dimensions of the product (mm) : 43 x 580 x 510
 Net weight (kg) : 10.0
 Gross weight (kg) : 11.0
 Residual heat indicator : without
 Control panel : right
 Basic surface material : Stainless steel
 Color of surface : Stainless steel
 Color of frame : Stainless steel
 Approval certificates : CE
 Length of electrical supply cord (cm) : 100
 EAN code : 4242003687062

Consumption and connection features

Electrical connection rating (W) : 1
 Gas connection rating (W) : 7400
 Current (A) : 3
 Nominal power (kW) : 220-240
 Frequency (Hz) : 50; 60

60 cm
 width

Siemens
 EB6B5PB60
 Gas hob with integrated controls

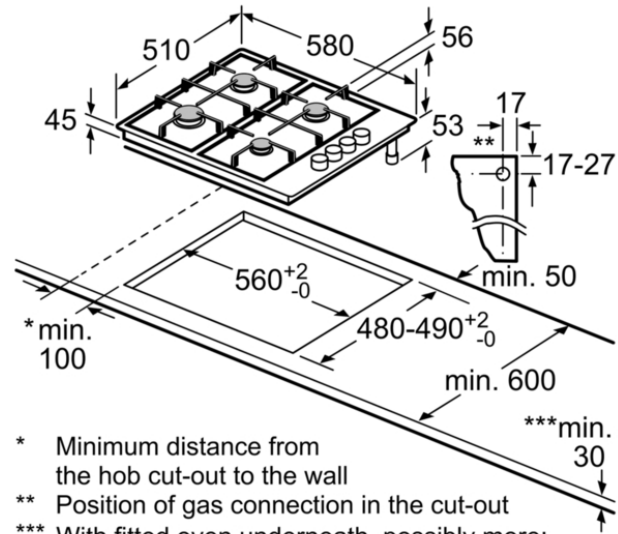
Predecessor:

Successor:

EAN code:
 4242003687062

sales programme:

iQ100
 EB6B5PB60
 60 cm, hob, Stainless steel



- * Minimum distance from the hob cut-out to the wall
 - ** Position of gas connection in the cut-out
 - *** With fitted oven underneath, possibly more; see space requirements for the oven
- measurements in mm