

iQ500
EC9A5SB90
90 cm, hob, Stainless steel

Design

- Easy to clean Stainless steel surface.
- Cast iron pan supports
- High efficiency burner set

Special features

- Step Flame technology - 9 steps
- Design co-ordinated control dials
- Ignition via control dials

Power and size:

- 5 burner gas hob including:
- 1 dual control wok burner
- 4 gas + wok (Left)
- Right rear: High-speed burner 3 KW
- Left: Wok burner 5 KW
- Center rear: 1.75 KW
- Center front: Economy burner 1 KW
- Right front: Standard burner 1.75 KW

Safety Features

- Factory set for connection to mains gas
- Flame failure safety device

Accessories

- LPG jets (28-30/37mbar) included

Technical information

- 150 cm Cable

Included accessories

Optional accessories

Technical Data

Characteristics

Product name/family : gas hob w integrated controls
 Construction type : Built-in
 Source of energy : Gas
 Total number of positions that can be used at the same time : 5
 Required niche size for installation (HxWxD) : 45 x 850-852 x 490-502
 Width (mm) : 915
 Dimensions of the product (mm) : 45 x 915 x 520
 Net weight (kg) : 18.0
 Gross weight (kg) : 20.0
 Residual heat indicator : without
 Control panel : Front
 Basic surface material : Stainless steel
 Color of surface : Stainless steel
 Color of frame : Stainless steel
 Approval certificates : CE
 Length of electrical supply cord (cm) : 150
 EAN code : 4242003742259

Consumption and connection features

Electrical connection rating (W) : 2
 Gas connection rating (W) : 12500
 Current (A) : 3
 Nominal power (kW) : 220-240
 Frequency (Hz) : 60; 50

Alternative colors available

Siemens
 EC9A5SB90
 Gas cooktop, autarkic

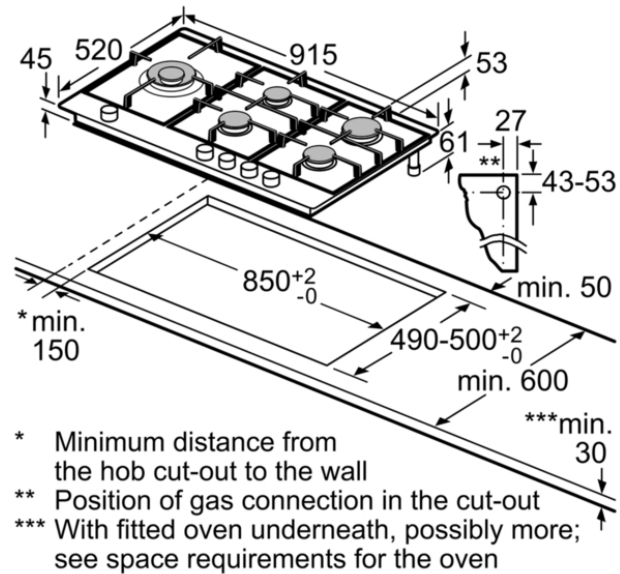
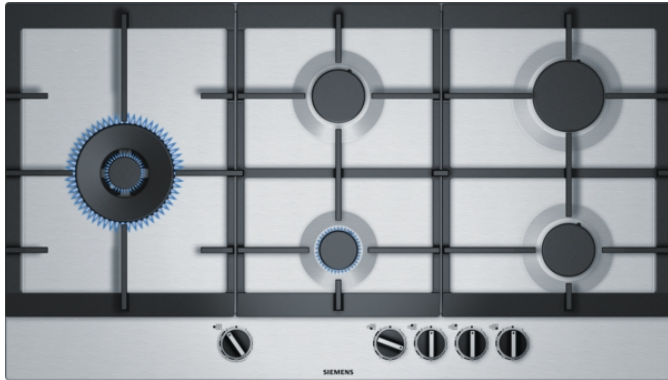
Predecessor:
 EC945TB91E

Successor:

EAN code:
 4242003742259

sales programme:

iQ500
EC9A5SB90
90 cm, hob, Stainless steel



- * Minimum distance from the hob cut-out to the wall
- ** Position of gas connection in the cut-out
- *** With fitted oven underneath, possibly more; see space requirements for the oven

measurements in mm