



H11WE60N0G
Microwave oven
Stainless steel

Features

- Microwave oven
- 7 automatic programmes, Memory function
- 5 power level microwave
90-180-360-600-800 Watts
- Maximum Microwave power level: 800 W

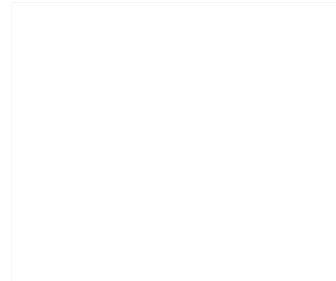
Special features

- 1 recipe memory position
- 25.5 cm Glass turntable

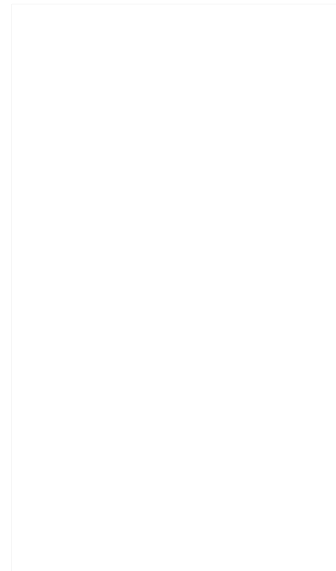
Design

- Electronic control
- Stainless steel interior
- Open Door button
- Retractable
- Digital cl. with time display
- Round light
- Large 20 litre stainless steel interior
- Left-hand
- 60-cm wall cupboard, Tall housing

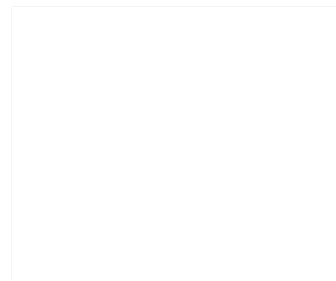
Included accessories



Optional accessories



Alternative colors available



Technical Data

Characteristics

Type of micro-wave oven : MW only
 Type of control : Electronic
 Color / Material Front : Stainless steel
 Dimensions of the product (mm) : 382 x 594 x 317
 Cavity dimensions (mm) : 221.0 x 308.0 x 298.0
 Length of electrical supply cord (cm) : 130
 Net weight (kg) : 17.0
 Gross weight (kg) : 18.0
 EAN code : 4242004177401

Consumption and connection features

Maximum micro-wave power (W) : 800
 Connection rating (W) : 1270
 Current (A) : 10
 Voltage (V) : 230-240
 Frequency (Hz) : 50
 Plug type : GB plug

Neff
 H11WE60N0G
 Built-in microwave oven

EAN code:
 4242004177401

Predecessor:

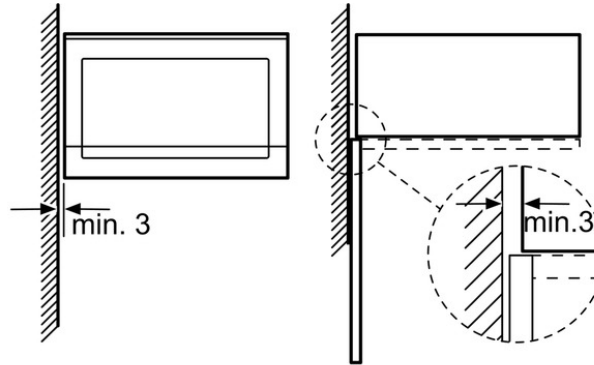
sales programme:

Successor:

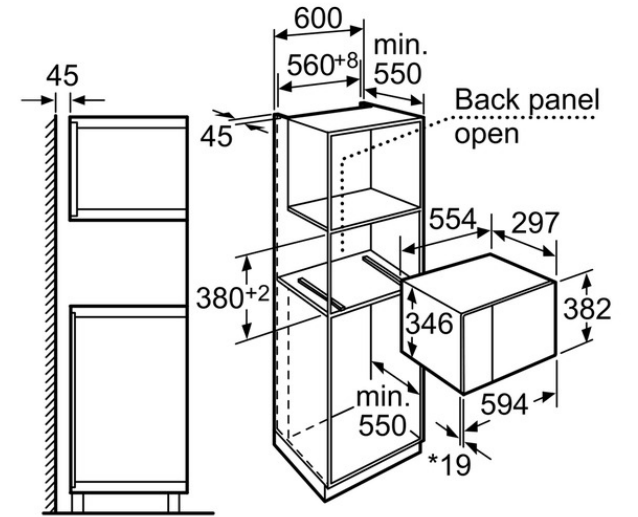
H11WE60N0G
Microwave oven
Stainless steel



Microwave,
corner installation

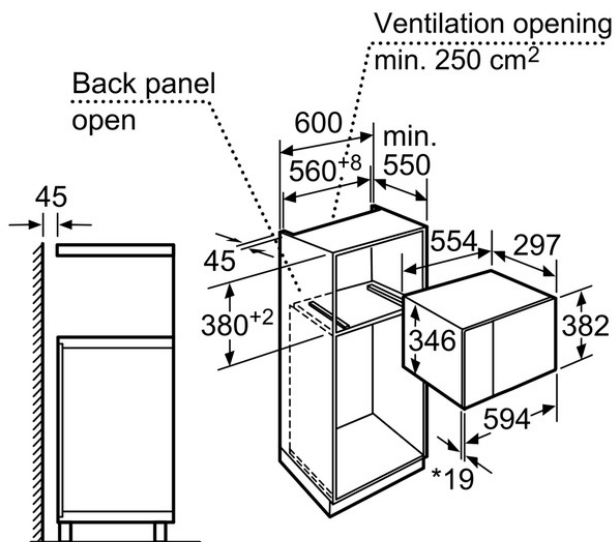


Measurements in mm



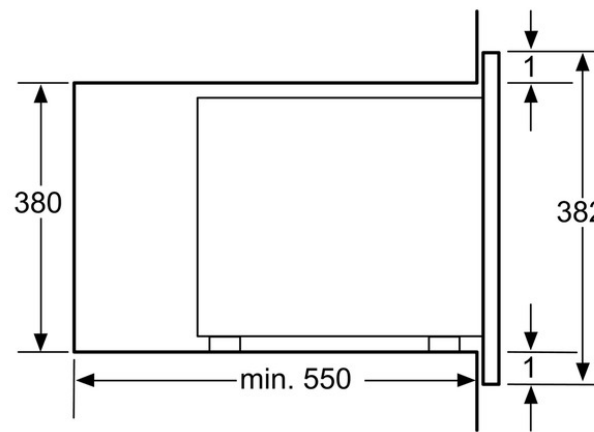
* 20 mm for metal fascias

measurements in mm



* 20 mm for metal fascias

measurements in mm



measurements in mm