



BOSCH



Bosch
HMT75M551B
Microwave

Predecessor:

Successor:

EAN code:
4242002491677

sales programme:

Serie | 4
HMT75M551B brushed steel
Compact microwave oven

Key features

- Electronic control

Design

- 1 retractable control dial
- Push buttons
- Left hinged door
- Side opening door with viewing window

Features

- Electronic clock timer
- 1 interior light
- Stainless steel interior

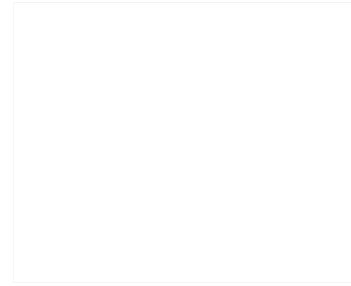
Programmes/functions

- microwave
- 3 weight automatic cooking programmes
- 4 weight automatic defrost programmes
- 1 memory function

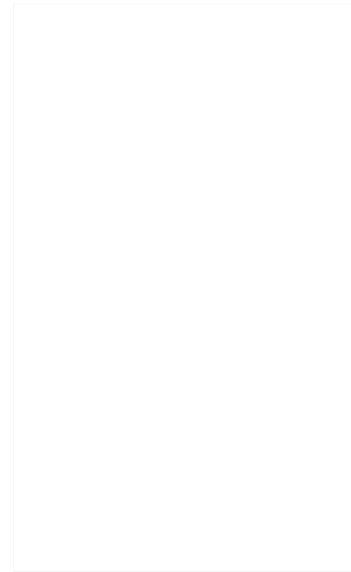
Performance/technical information

- Large 17 litre stainless steel interior
- Turntable distribution
- 245 mm turntable diameter
- 5 power levels: 800 W, 600 W, 360 W, 180 W, 90 W
- User-friendly electronics: extremely easy and comfortable operation
- For installation into a 50 cm wide wall unit (min. 30 cm deep)

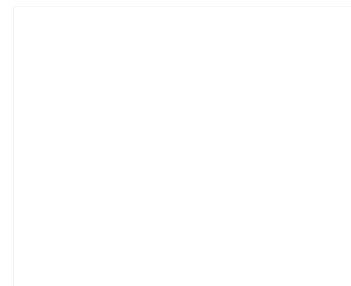
Included accessories



Optional accessories



Alternative colors available



Technical Data

Characteristics
 Type of micro-wave oven : MW only
 Type of control : Electronic
 Color / Material Front : Stainless steel
 Dimensions of the product (mm) : 280 x 453 x 320
 Cavity dimensions (mm) : 194.0 x 290 x 285.0
 Length of electrical supply cord (cm) : 130
 Net weight (kg) : 14.0
 Gross weight (kg) : 16.0
 EAN code : 4242002491677

Consumption and connection features
 Maximum micro-wave power (W) : 800
 Connection rating (W) : 1270
 Current (A) : 10
 Voltage (V) : 230
 Frequency (Hz) : 50
 Plug type : GB plug



BOSCH

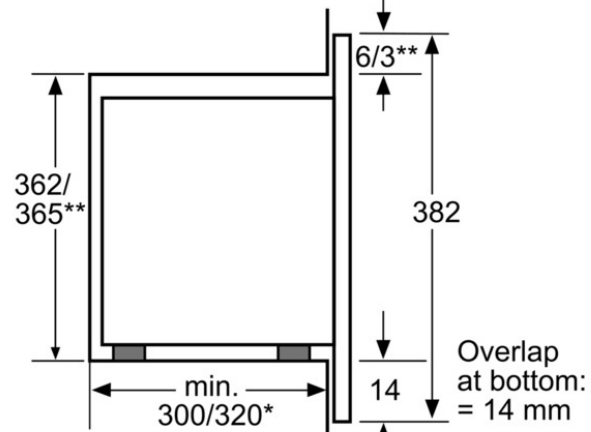
Serie | 4
HMT75M551B brushed steel
Compact microwave oven



Microwave ovens

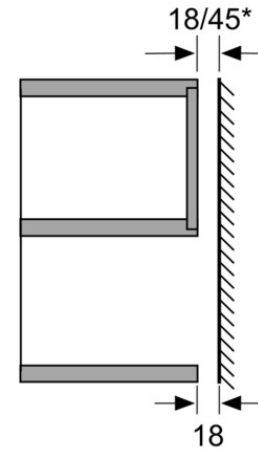
Overlap of frame surround

Overlap at top:
Recess 362 = 6 mm
Recess 365** = 3** mm



* = value for appliances with grill

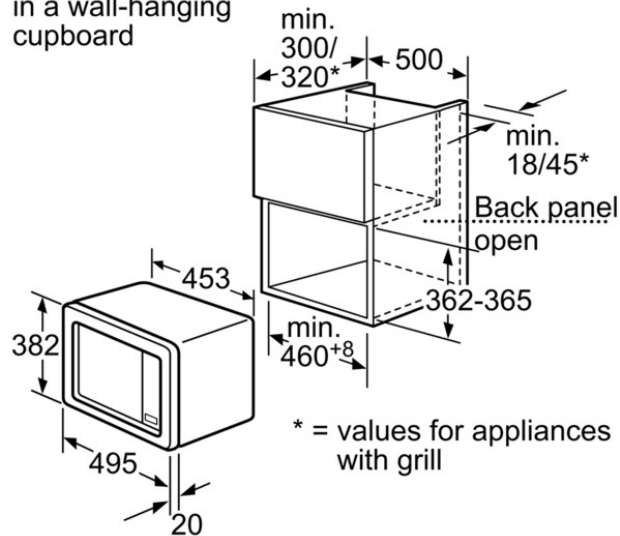
Measurements in mm



* = value for appliances with grill

Measurements in mm

Microwave ovens in a wall-hanging cupboard



* = values for appliances with grill

Measurements in mm