

**Warming drawer**  
**N17HH10N0B**  
**Stainless steel**

**Programmes/functions**

- Food warming and defrosting (3 settings)
- Cookware and utensil warming (1 setting)

**Features**

- Can accommodate up to:
  - 12 plates
  - 64 espresso cups
- Temperature control in 4 levels: ca. 30°C - 80°C (glass surface temperature)
- Easy to clean heated ceramic glass base
- Cool door

**Design**

- Push-Pull opening mechanism
- Telescopic pull-out drawer

**Performance/technical information**

- 20 litres
- Weight capacity 25kg
- Length of mains cable: 150 cm
- Connected load: 0.81 kW
- Appliance dimension (hxwx): 140 mm x 596 mm x 548 mm
- Niche dimension (hxwx): 140 mm x 560 mm - 568 mm x 550 mm

**Included accessories**

**Optional accessories**

- Z11SZ60X0 SeamlessCombination 45 + 14cm

**Alternative colors available**

**Technical Data**

**Characteristics**

Construction type : Built-in  
 Color / Material Front : Stainless steel  
 Maximum number of plates : 12  
 Maximum number of espresso cups : 64  
 Dimensions of the product (mm) : 140 x 596 x 548  
 Required niche size for installation (HxWxD) : 140 x 560 x 550  
 EAN code : 4242004184584

**Consumption and connection features**

Electrical connection rating (W) : 810  
 Current (A) : 10  
 Voltage (V) : 220-240  
 Frequency (Hz) : 50; 60  
 Plug type : GB plug

◀60▶

Neff  
 N17HH10N0B  
 Warming drawer

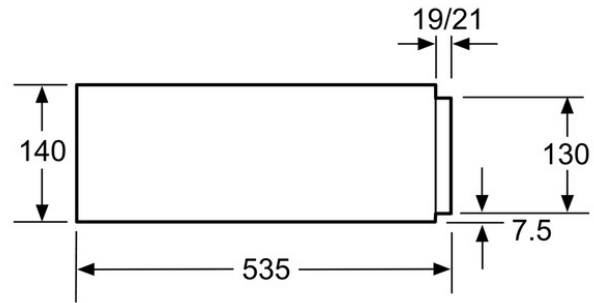
Predecessor:  
 N21H45N0GB

Successor:

EAN code:  
 4242004184584

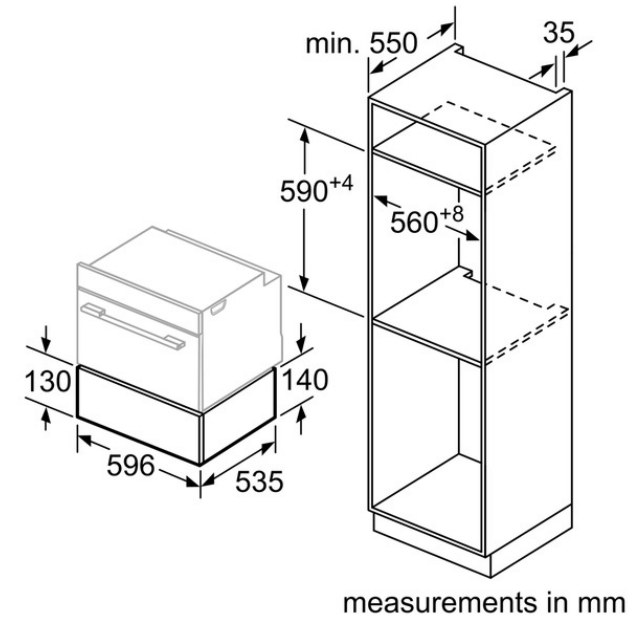
sales programme:

Warming drawer  
N17HH10N0B  
Stainless steel



Compact ovens with an appliance height of 455 mm can be installed above a warming drawer. An intermediate floor is not required.

measurements in mm



measurements in mm