



# BOSCH



**Serie | 4**  
**PGP6B5B60**  
**60 cm, hob, Stainless steel**

**Design**

- Stainless steel

**Special features**

- Design co-ordinated control dials
- Ignition via control dials
- cast iron finish pan supports with rubber feet

**Power and size:**

- 4 gas burners:
- Left rear: Standard burner 1.75 KW
- Right rear: high-speed burner 3 KW
- Left front: standard burner 1.75 KW
- Right front: economy burner 1 KW

**Safety Features**

- Flame failure safety device
- Pre-set for natural gas

**Technical information**

- Power cord length 100 cm

**Accessories**

- LPG jets included. Connection to 28-30/37 mbar bottled gas

**Included accessories****Optional accessories****Alternative colors available****Technical Data****Characteristics**

Product name/family : gas hob w integrated controls  
 Installation type : Built-in  
 Heating type : Gas  
 Total number of positions that can be used at the same time : 4  
 Required niche size for installation (HxWxD) : 45 x 560-562 x 480-492  
 Width (mm) : 582  
 Dimensions of the product (mm) : 45 x 582 x 520  
 Net weight (kg) : 8.0  
 Gross weight (kg) : 9.0  
 Residual heat indicator : without  
 Location of control panel : Hob front  
 Basic surface material : Stainless steel  
 Color of surface : Stainless steel  
 Color of frame : Stainless steel  
 Approval certificates : CE  
 Length of electrical supply cord (cm) : 100  
 EAN code : 4242002955346

**Consumption and connection features**

Electrical connection rating (W) : 1  
 Gas connection rating (W) : 7500  
 Current (A) : 3  
 Voltage (V) : 220-240  
 Frequency (Hz) : 60; 50

Bosch  
 PGP6B5B60  
 Gas cooktop, autarkic

Predecessor:

Successor:

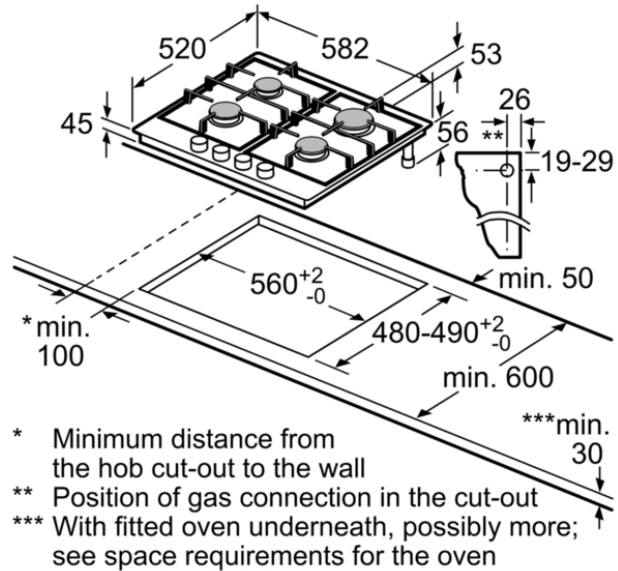
EAN code:  
 4242002955346

sales programme:



# BOSCH

Serie | 4  
PGP6B5B60  
60 cm, hob, Stainless steel



- \* Minimum distance from the hob cut-out to the wall
- \*\* Position of gas connection in the cut-out
- \*\*\* With fitted oven underneath, possibly more; see space requirements for the oven

measurements in mm