



BOSCH



Bosch
SMV40C00GB
Dishwasher fully integrated

Predecessor:

Successor:

EAN code:
4242002862071

sales programme:

Serie | 2

SMV40C00GB black
ActiveWater Dishwasher 60cm
Fully integrated

Performance

- Energy Efficiency Class: A+
- Capacity: 12 place settings
- Energy consumption in Eco 50 programme: 290 kWh per year, based on 280 standard cleaning cycles
- Water consumption in Eco 50 programme: 3920 litres per year, based on 280 standard cleaning cycles
- Programme time in Eco 50 programme: 210 minutes
- A rated performance for washing and A for drying
- Noise level dB (A) re 1pW: 54 dB
- Energy consumption in Eco 50 programme: 1.02 kWh
- Water consumption in Eco 50 programme: 14 litres

Programmes/functions

- 4 programmes: Normal 65 °C, Eco 50 °C, Quick Wash 45 °C, Pre Rinse
- 3 temperatures

Flexible design elements

- Light Grey baskets
- Cutlery basket in lower rack

Innovations and technology

- EcoSilence BLDC drive
- Curved spray arms
- Residual heat drying system
- ActiveWater hydraulic water system
- DosageAssist detergent dispenser
- Automatic detergent detection
- Load Sensor
- AquaMix - Glass protection system
- Large item spray head, steam protection plate
- AquaStop anti flood device with guarantee

Design features

- Stainless steel/Polinox interior
- Red Info light
- Stainless steel/Polinox interior
- Push button top edge controls
- Colour of indicators: Red LED indicators
- LED salt refill indicator, LED rinse aid refill indicator
- Self cleaning filter system with 3 piece corrugated filter
- Dimensions (HxWxD): 81.5 x 59.8 x 55cm
- Efficiency information relates to the Eco 50 programme. This programme is suitable for cleaning normally soiled tableware and is the most efficient

Included accessories

baking-sheet spray head grey, vapor barrier plate

Optional accessories

- SMZ5000 Dishwashing aid set
- SMZ5001 Baby care kit

Alternative colors available

Technical Data

Characteristics

Water consumption (l) : 14.0
 Construction type : Built-in
 Height of removable worktop (mm) : 815
 Required niche size for installation (HxWxD) : 815-875 x 600 x 550
 Depth with open door 90 degree (mm) : 1155
 Adjustable feet : Yes - front only
 Maximum adjustability feet (mm) : 60
 Adjustable plinth : both horizontal and vertical
 Net weight (kg) : 34.0
 Gross weight (kg) : 36.0
 Connection rating (W) : 2400
 Current (A) : 13
 Voltage (V) : 220-240
 Frequency (Hz) : 50; 60
 Length of electrical supply cord (cm) : 175
 Plug type : GB plug
 Length inlet hose (cm) : 165
 Length outlet hose (cm) : 190.0
 EAN code : 4242002862071

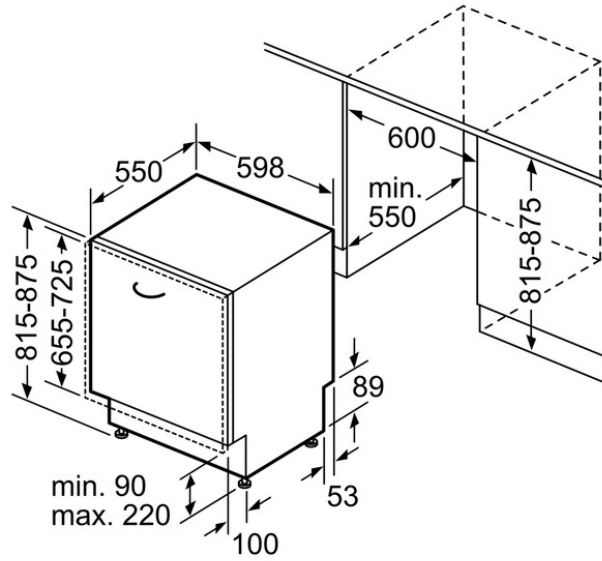
Consumption and connection features

Number of place settings : 12
 Energy efficiency class - NEW (2010/30/EC) : A+
 Energy consumption annual (kWh/annum) - NEW (2010/30/EC) : 290
 Energy consumption (kWh) : 1.02
 Power consumption in left-on mode (W) - NEW (2010/30/EC) : 0.10
 Power consumption in off-mode (W) - NEW (2010/30/EC) : 0.10
 Water consumption annual (l/annum) - NEW (2010/30/EC) : 3920
 Drying performance : A
 Reference programme : Eco
 Total cycle time of reference programme (min) : 210
 Noise level (dB(A) re 1 pW) : 54
 Installation type : Full-integrated

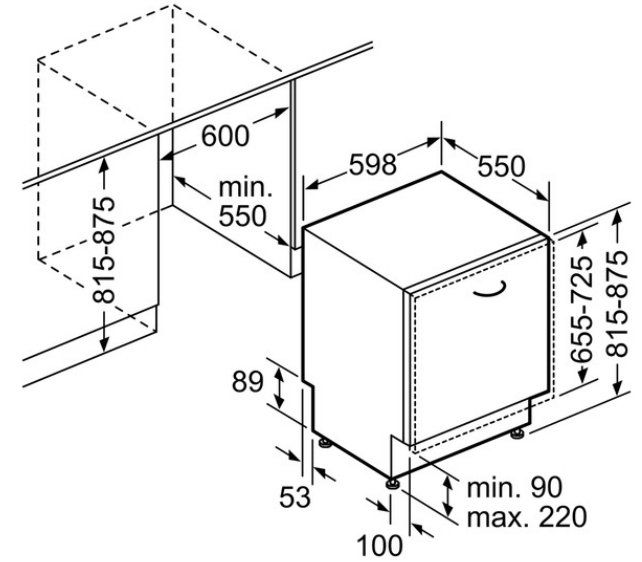


BOSCH

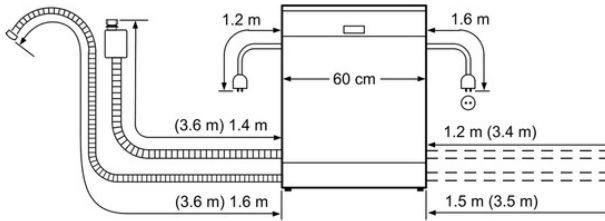
Serie | 2
 SMV40C00GB black
 ActiveWater Dishwasher 60cm
 Fully integrated



measurements in mm



measurements in mm



() values with extension kit