

**T26DS49N0**  
60 cm, hob, Stainless steel

**Design**

- Stainless steel

**Special features**

- Step valve 9 steps
- Design co-ordinated control dials
- Ignition via control dials
- black cast iron pan supports with protective rubber feet

**Power and size:**

- 4 burner hob
- 4 gas
- Left rear: Standard burner 1.75 KW
- Right rear: High speed burner 3 KW
- Left front: Standard burner 1.75 KW
- Right front: Economy burner 1 KW

**Features**

- Flame failure safety device
- Factory set for connection to mains gas

**Technical information**

- 100 cm

**Accessories**

- LPG jets (28-30/37mbar) included

**Included accessories**

**Optional accessories**

**Alternative colors available**

**Technical Data**

**Characteristics**

Product name/family : gas hob w integrated controls  
 Construction type : Built-in  
 Energy input : Gas  
 Total number of positions that can be used at the same time : 4  
 Required niche size for installation (HxWxD) : 45 x 560-562 x 480-492  
 Width of the product (mm) : 582  
 Dimensions of the product (mm) : 45 x 582 x 520  
 Net weight (kg) : 10.0  
 Gross weight (kg) : 11.0  
 Residual heat indicator : without  
 Location of control panel : Hob front  
 Basic surface material : Stainless steel  
 Color of surface : Stainless steel  
 Color of frame : Stainless steel  
 Approval certificates : CE  
 Length of electrical supply cord (cm) : 100  
 EAN code : 4242004203384

**Consumption and connection features**

Electrical connection rating (W) : 2  
 Gas connection rating (W) : 7500  
 Current (A) : 3  
 Voltage (V) : 220-240  
 Frequency (Hz) : 60; 50

Neff  
T26DS49N0  
Gas hob

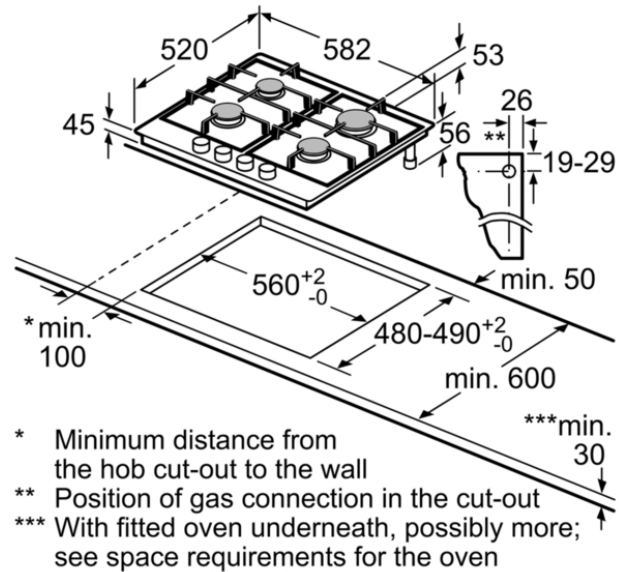
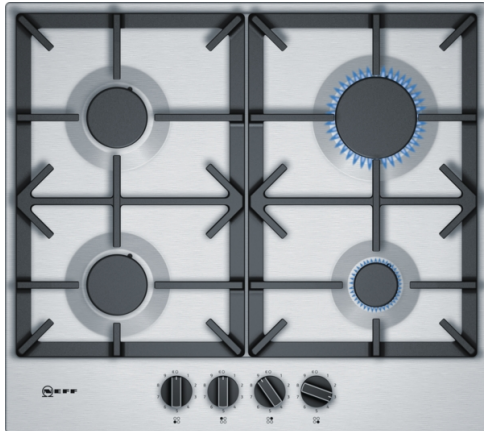
Predecessor:

Successor:

EAN code:  
4242004203384

sales programme:

T26DS49N0  
60 cm, hob, Stainless steel



- \* Minimum distance from the hob cut-out to the wall
  - \*\* Position of gas connection in the cut-out
  - \*\*\* With fitted oven underneath, possibly more; see space requirements for the oven
- measurements in mm