

Neff
T29DA69N0
Gas cooktop, autarkic

Predecessor:

Successor:

EAN code:
4242004203575

sales programme:

T29DA69N0
90 cm, hob, Stainless steel

Design

- Stainless steel

Special features

- FlameSelect with 9 steps
- LED display for each zone
- Design co-ordinated control dials
- Ignition via control dials
- black cast iron pan supports with protective rubber feet

Power and size:

- 5 burner hob
- 1 wok burner
- 4 gas + wok (Central Dual)
- Left rear: Standard burner 1.75 KW
- Right rear: High speed burner 3 KW
- Center: Wok burner 5 KW
- Left front: Economy burner 1 KW
- Right front: Standard burner 1.75 KW

Safety Features

- Flame failure safety device
- 1 stage
- Factory set for connection to mains gas

Technical information

- Power cord length 150cm

Accessories

- LPG jets (28-30/37mbar) included

Included accessories

Optional accessories

Alternative colors available

Technical Data

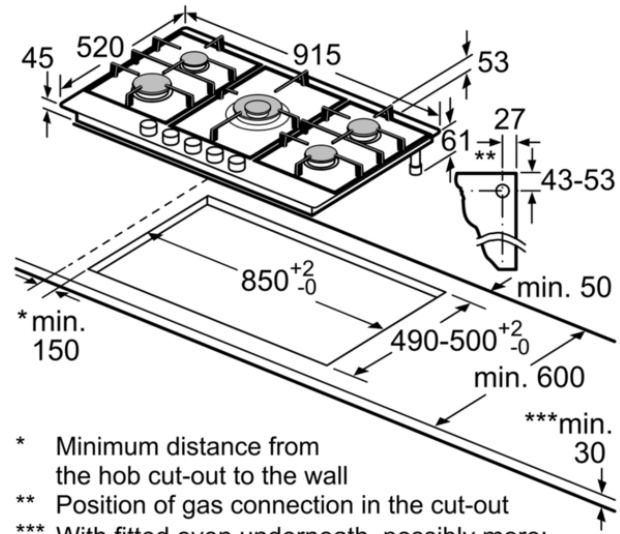
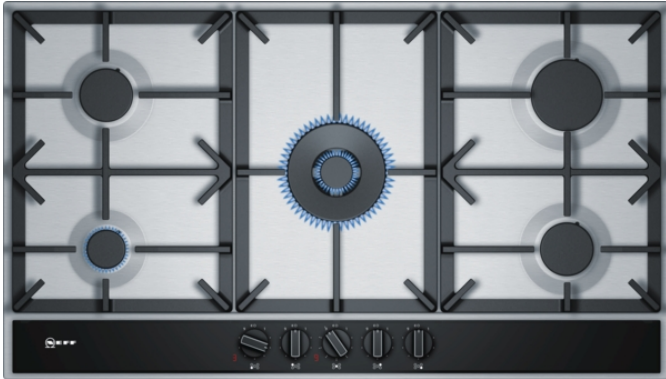
Characteristics

Product name/family : gas hob w integrated controls
Construction type : Built-in
Energy input : Gas
Total number of positions that can be used at the same time : 5
Required niche size for installation (HxWxD) : 45 x 850-852 x 490-502
Width of the product (mm) : 915
Dimensions of the product (mm) : 45 x 915 x 520
Net weight (kg) : 13.0
Gross weight (kg) : 14.0
Residual heat indicator : Separate
Location of control panel : Hob front
Basic surface material : Stainless steel
Color of surface : Stainless steel
Color of frame : Stainless steel
Approval certificates : CE
Length of electrical supply cord (cm) : 150
EAN code : 4242004203575

Consumption and connection features

Electrical connection rating (W) : 2
Gas connection rating (W) : 12500
Current (A) : 3
Voltage (V) : 220-240
Frequency (Hz) : 60; 50

T29DA69N0
90 cm, hob, Stainless steel



- * Minimum distance from the hob cut-out to the wall
 - ** Position of gas connection in the cut-out
 - *** With fitted oven underneath, possibly more; see space requirements for the oven
- measurements in mm