



**Monodraught** are the recognised market leaders in ultra-low carbon, low energy solutions for Natural Ventilation, Natural Cooling and Natural Lighting.

**WINDCATCHER®**, **SUNPIPE®** and **COOL-PHASE®** brands are synonymous with quality and innovation (ISO9001 & 14001) and are supported by our market leading design service.

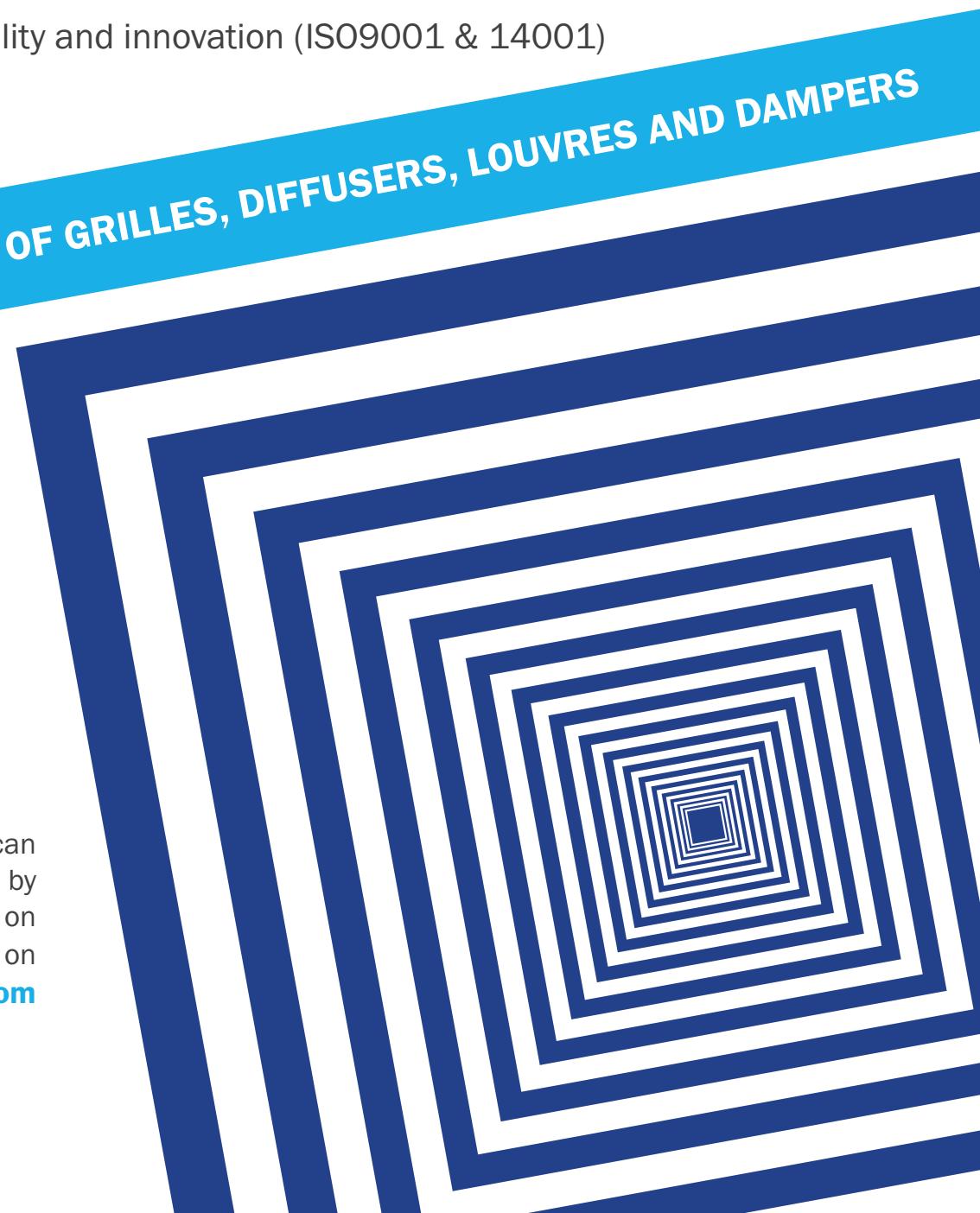
**Air-Precision** is an addition to Monodraught's portfolio including grilles, diffusers, external louvres and volume control dampers.

**PRODUCT RANGE OF GRILLES, DIFFUSERS, LOUVRES AND DAMPERS**

#### We are supporting this range with:

- £1 million of fast moving stock
- Bespoke manufacture with any standard RAL colour within 5 days
- 15 dedicated selection experts
- Designed with industry leading software
- Belimo actuators used throughout
- AA5 anodisation (ISO7599) utilised
- Market leading quality fully supported by a **10 year guarantee**

We are confident that we can beat any quotation you have by 10% so please contact us on **01494897700** or email us on **[air-precision@monodraught.com](mailto:air-precision@monodraught.com)**



Ancillaries

# Intumescent Fire Dampers - IFB60



Series IFB60 Intumescent fire dampers are 60 minute rated fire dampers.

Completely passive devices, during normal operation IFB60's have a free area of approximately 60%. Upon exposure to elevated temperatures, they expand to completely fill their aperture within approximately 5 minutes, creating a single, incombustible mass, preventing the spread of fire and hot smoke through the aperture for their rated time.

With no moving parts and a smooth plastic outer skin, IFB60's require no maintenance beyond a periodic wipe down with a damp cloth.

Suitable for use in vertical orientation in walls, doors and ducts.

Circular sizes up to and including 300 mm diameter are suitable for horizontal mounting.

Available in rectangular and circular sizes.

## Materials:

- Intumescent core
- Grey plastic outer skin

## Sizes:

- Rectangular:  
Minimum: 75 mm x 75 mm  
Maximum: 600 mm x 600 mm  
Available in 25 mm increments in either direction between the above sizes.
- Circular (sizes to suit spiral ducting):  
80, 100, 125, 150, 200, 250, 300, 350, 400, 450, 500 and 600 mm diameter.

## Depth:

- 40 mm

## Free Area:

- Approx 60%

## Finish:

- Grey plastic only

## Certifications:

Complete seal achieved withing approximately 5 minutes when tested in accordance with:

**BS476: pts. 20 and 22**

**BS EN 1364-1:2000**

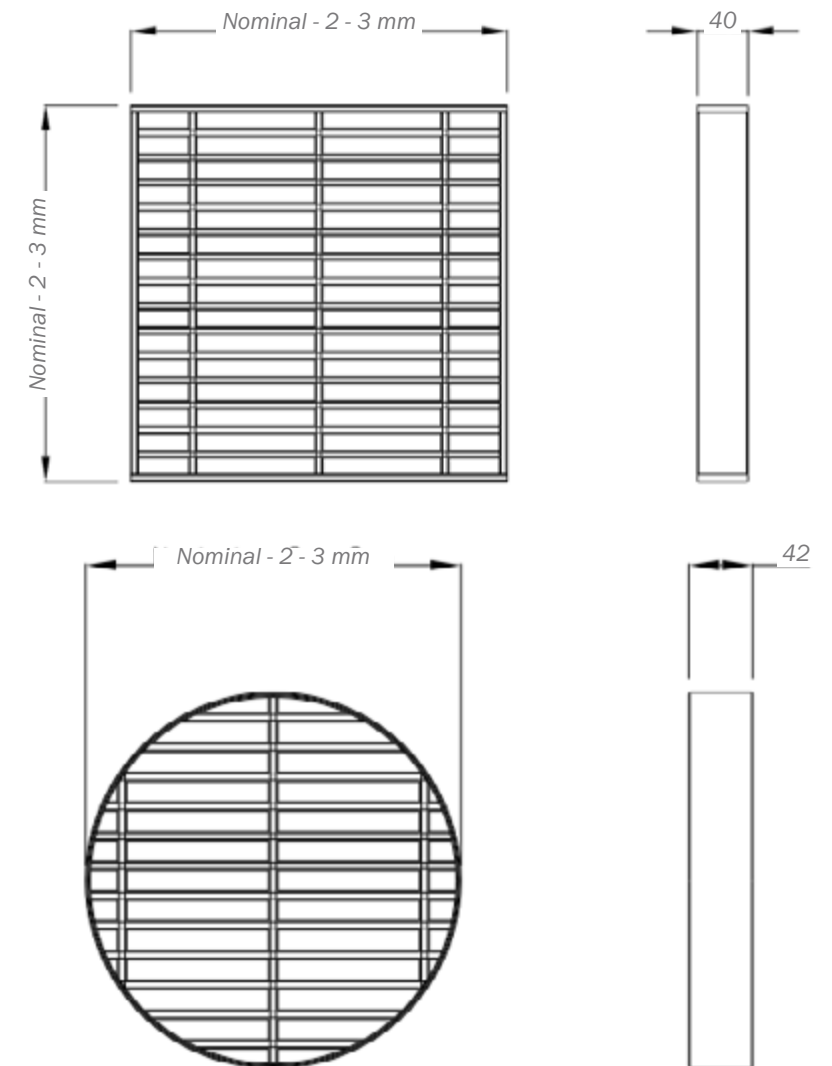
Confirmed to provide 60 minutes of fire protection when tested in accordance with the above standards.

IFB60 intumescent fire dampers are **Certifire** accredited.



## Technical Drawings:

Sizes are taken to be nominal and will have a tolerance (2 - 3 mm) removed to aid fitting.



## Cover Grilles:

Intumescent fire dampers are frequently used in fire doors. In these situations a cover grille is desirable on both sides of the door to hide the damper and the cut out itself. Monodraught uses the NV4 surface mounted non-vision grille specifically for these installations.

# Intumescent Fire Dampers - IFB120



Series IFB120 Intumescent fire dampers are 120 minute rated, heavy duty fire dampers.

IFB120 dampers differ from IFB60 units by making use of a steel outer skeleton. This assists in maintaining the damper's shape, bracing it against the deforming forces which can twist and crush ductwork during fire.

With no moving parts and a smooth steel outer skin, IFB120' require no maintenance beyond a periodic wipe down with a damp cloth.

Suitable for use in both vertical and horizontal applications.

Can be manufactured in sections to suit sizes over 600 mm high/ wide/ diameter.

Available in rectangular and circular sizes.

## Materials:

- Intumescent core
- Galvanised steel outer skin

## Sizes:

- Rectangular:  
Minimum: 50 mm x 50 mm  
Maximum: 600 mm x 600 mm  
Available in any sizes between the above (no increments)  
Sizes above 600 mm x 600 mm are available and would be made in sections (joining tabs factory fitted)
- Circular (sizes to suit spiral ducting):  
80, 100, 125, 150, 200, 250, 300, 350, 400, 450, 500 and 600 mm diameter.

## Depth:

- 44 mm

## Free Area:

- Approx 60%

## Finish:

- Zintec steel only

## Certifications:

Complete seal achieved withing approximately 2 minutes when tested in accordance with:

**BS476: pts. 20 and 22**

**BS EN 1364-1:2000**

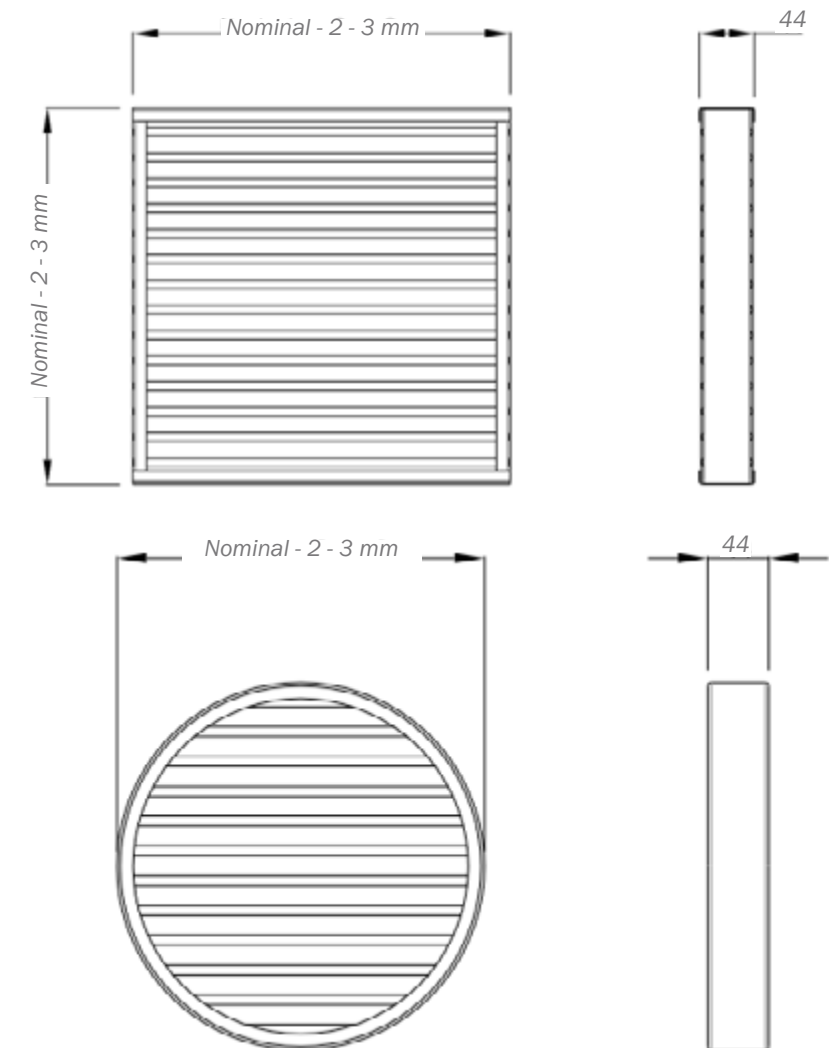
Confirmed to provide 120 minutes of fire protection when tested in accordance with the above standards.

IFB120 intumescent fire dampers are **Certifire** accredited.



## Technical Drawings:

Sizes are taken to be nominal and will have a tolerance (2 - 3 mm) removed to aid fitting.



## Cover Grilles:

Intumescent fire dampers are frequently used in fire doors. In these situations a cover grille is desirable on both sides of the door to hide the damper and the cut out itself. Monodraught uses the NV4 surface mounted non-vision grille specifically for these installations.

# Air Valves - AV



Air valves are an unobtrusive and simple to install air terminal, designed to handle low air volumes and suitable for performing both supply and extract functions.

Often seen in areas like bathrooms and kitchens, air valves benefit from either a stove enameled finish or a fully plastic construction, ensuring high levels of corrosion resistance.

All models have an adjustable centre core allowing adjustment of air volumes and cleaning.

Available in four models:

- **GEV:** Metal extract air valve
- **GSV:** Metal supply air valve
- **GEFV-CE:** CE marked fire rated extract air valve
- **PAV:** Plastic extract air valve

## Materials:

- GEV and GSV: Steel
- GEFV-CE: Steel with plastic parts
- PAV: Plastic with galvanised steel mounting ring

## Core:

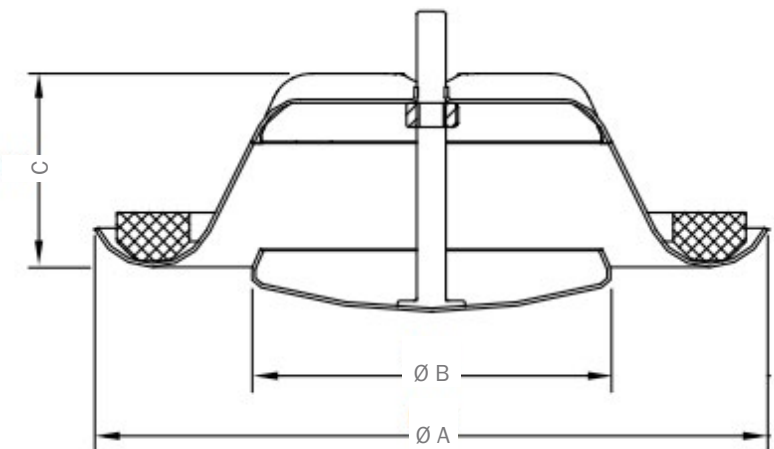
- Adjustable and removable to allow volume control and cleaning

## Fixings:

- Mounting ring and gasket seal

## Technical Drawings:

- **GEV - Metal extract air valve:**

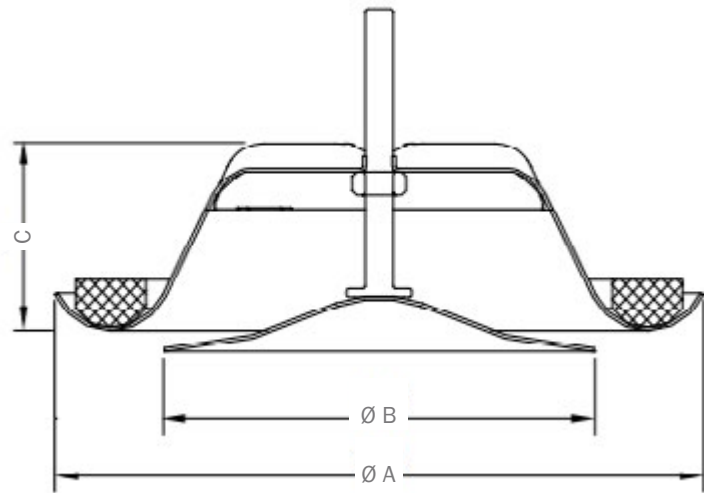


| SIZE | A (mm) | B (mm) | C (mm) |
|------|--------|--------|--------|
| 100  | 140    | 75     | 40     |
| 125  | 170    | 99     | 46     |
| 150  | 202    | 119    | 54     |
| 160  | 202    | 119    | 54     |
| 200  | 254    | 157    | 64     |

# Air Valves - AV

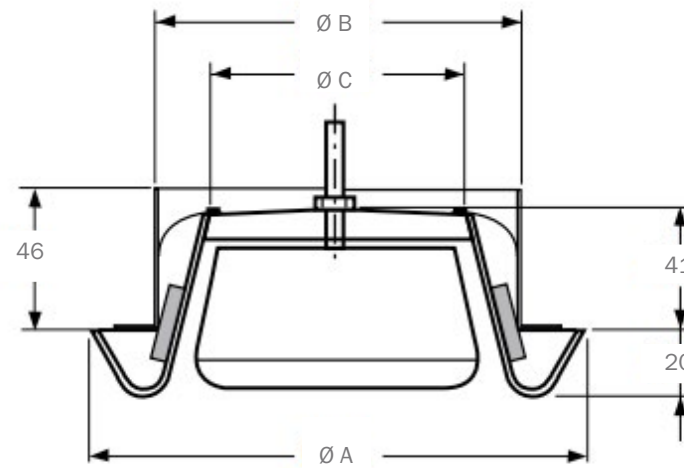
## Technical Drawings:

- **GSV - Metal supply air valve:**



| SIZE | A (mm) | B (mm) | C (mm) |
|------|--------|--------|--------|
| 100  | 140    | 92     | 40     |
| 125  | 170    | 111    | 46     |
| 150  | 202    | 135    | 54     |
| 160  | 202    | 194    | 54     |
| 200  | 254    | 194    | 64     |

- **PAV - Plastic extract air valve:**



| SIZE | A (mm) | B (mm) | C (mm) |
|------|--------|--------|--------|
| 100  | 145    | 100    | 70     |
| 125  | 160    | 125    | 95     |
| 150  | 190    | 150    | 116    |
| 160  | 200    | 160    | 125    |
| 200  | 243    | 200    | 170    |

- **GEFV-CE - CE Marked fire rated extract air valve:**

A fully certificated CE marked air valve, assessed against the requirements of EN 15650:2010 and with fire resistance as follows:

**Installation in flexible wall:**

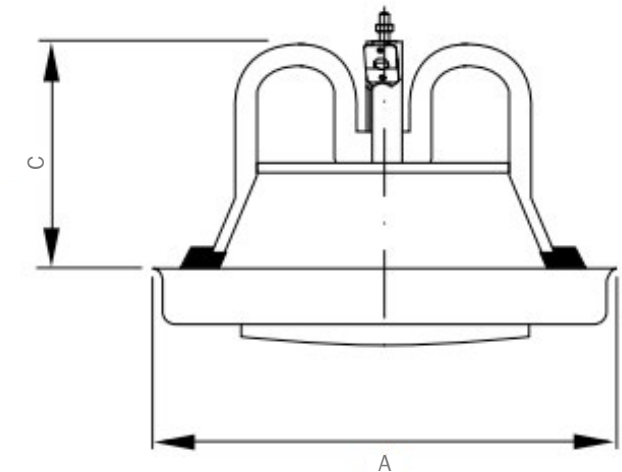
Integrity: E 60  
Smoke Leakage: E 45 S

**Installation in Rigid wall:**

Integrity: E 120  
Smoke Leakage: E 120 S

**Installation in Rigid Floor:**

Integrity: E 120  
Smoke Leakage: E 60 S



| SIZE | A (mm) | C (mm) |
|------|--------|--------|
| 100  | 134    | 74     |
| 125  | 160    | 85     |
| 150  | 191    | 89     |
| 160  | 191    | 89     |
| 200  | 241    | 107    |

# Air Valves - AV

## Quick Selection Data:

- GEV**

| SIZE | Air flow in l/s at sound levels |       |       |
|------|---------------------------------|-------|-------|
|      | 25 dB                           | 30 dB | 35 dB |
| 100  | 30                              | 37    | 45    |
| 125  | 46                              | 57    | 68    |
| 150  | 58                              | 70    | 81    |
| 160  | 64                              | 80    | 98    |
| 200  | 120                             | 140   | 170   |

- GSV**

| SIZE | Air flow in l/s at sound levels |       |       |
|------|---------------------------------|-------|-------|
|      | 25 dB                           | 30 dB | 35 dB |
| 100  | 20                              | 24    | 30    |
| 125  | 40                              | 48    | 57    |
| 150  | 59                              | 68    | 80    |
| 160  | 50                              | 58    | 65    |
| 200  | 80                              | 100   | 120   |

- PAV**

| SIZE | Air flow in l/s at sound levels |       |       |
|------|---------------------------------|-------|-------|
|      | 25 dB                           | 30 dB | 35 dB |
| 100  | 25                              | 29    | 34    |
| 125  | 33                              | 40    | 50    |
| 150  | 46                              | 56    | 66    |
| 160  | 50                              | 60    | 70    |
| 200  | 55                              | 65    | 78    |

- GEFV-CE**

| SIZE | Air flow in l/s at sound levels |       |       |
|------|---------------------------------|-------|-------|
|      | 25 dB                           | 30 dB | 35 dB |
| 100  | 28                              | 34    | 40    |
| 125  | 43                              | 50    | 59    |
| 150  | 61                              | 73    | 80    |
| 160  | 61                              | 73    | 80    |
| 200  | 69                              | 82    | 99    |

## Finish:

- Standard: White
- RAL: Polyester powder coated to RAL (GEV and GSV only)
- BS: Polyester powder coated to BS (GEV and GSV only)





# Plenum Boxes - PB



Plenum boxes are one of the basic components of any ventilation system, providing the link between ductwork and terminal.

Constructed from galvanised steel as standard, we can also manufacture plenums in stainless steel or aluminium if required.

A comprehensive range of options is available to enhance functionality or aid fitting including:

- **Fire Rating:**  
By increasing the material thickness to 1.2 mm and installing a 120 minute rated intumescent fire damper (not available with aluminium boxes).
- **Lining:**  
For both thermal and acoustic performance, plenum boxes can be internally lined with 10 mm pyrosorb type foam insulation. This can help to reduce cross-talk between rooms, absorb noise from fans or other machinery, and also thermally line the box to help avoid any problems with condensation.
- **Drop Rod Fixings:**  
Spot welded, pre-punched angle brackets to accept drop rods can be factory fitted, making installation quick and simple.

## Materials:

- Standard: 0.8 mm or 1 mm galvanised steel (thickness used will be based on size of box)
- Optional: Aluminium and stainless steel (grades 430, 304 and 316 available)

## Construction:

- CNC Press brake folded
- Any joints spot welded
- Spigot swaged and fully sealed

## Fixings:

- Standard: None
- Optional: Drop rod brackets

## Finish:

- Bare metal

## Options:

### Size (mm - width x height):

- Nominal size of grille/ diffuser/ louvre box is to be used with

### Series:

- SEPB: Side entry plenum box
- TEPB: Top entry plenum box
- FR - SEPB: Side entry plenum box - Fire rated
- FR - TEPB: Top entry plenum box - Fire rated

### Number of Spigots:

- 1: 1 Spigot
- 2C: 2 Spigots, adjacent sides (SEPB only)
- 2OP: 2 Spigots, opposite sides (SEPB only)

### Spigot Size:

- Width x height (state required)
- Diameter (state required)

### Volume Control Damper:

- Single blade damper mounted in the spigot/s

### Insulation:

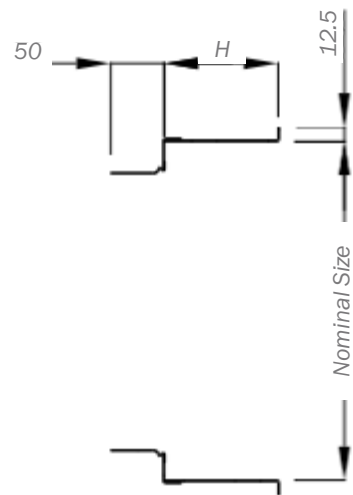
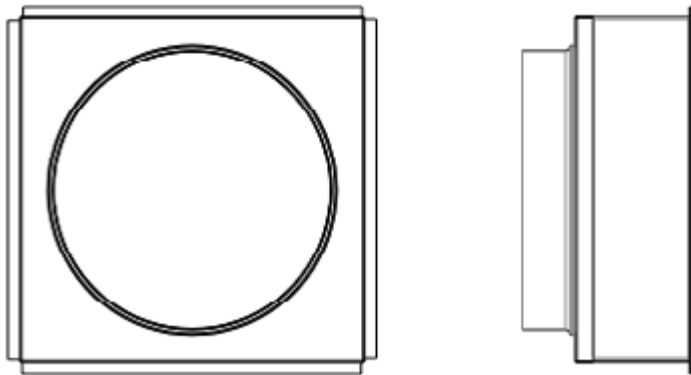
- Thermally and acoustically insulated



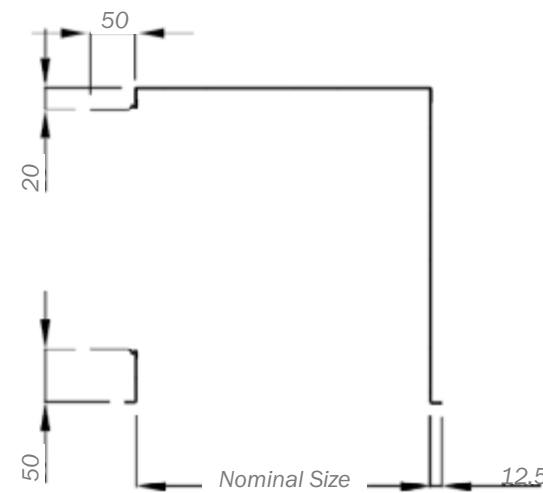
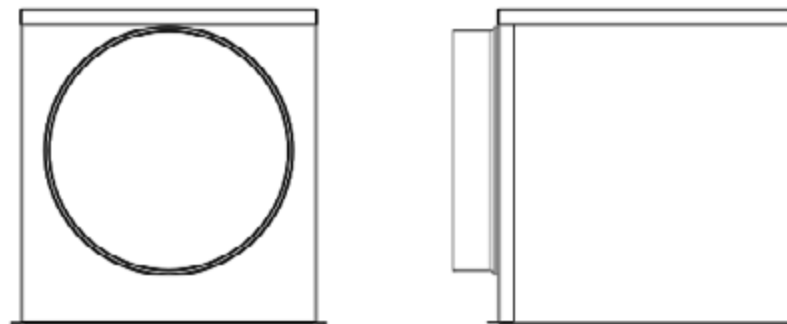
# Plenum Boxes - PB

## Technical Drawings:

- **TEPB - Top entry plenum box**



- **SEPB - Side entry plenum box**




12.5 mm Flanges shown are used on boxes to suit all terminals series' except CD and PPD.


**TEPB:** Dimension H is 100 mm as standard, 200 mm or 300 mm height are optional.


- **Fire rated plenum box**


With the addition of a 120 minute rated intumescent fire damper and the use of 1.2 mm galvanised or stainless steel, fire rated variants of both top and side entry plenum boxes can be supplied.

**Please note:** Box dimensions will vary slightly from those shown to accommodate the fire damper. Please contact our technical department for more information.

 Halifax House, High Wycombe  
Buckinghamshire, HP12 3SE

 +44 01494 897700

 +44 01494 532465

 [www.monodraught.com](http://www.monodraught.com)

 [info@monodraught.com](mailto:info@monodraught.com)

 Monodraught Ltd

 @MonodraughtLtd

 Monodraught Ltd

 **Monodraught**<sup>®</sup>  
*engineering delivered. naturally*

