



Monodraught are the recognised market leaders in ultra-low carbon, low energy solutions for Natural Ventilation, Natural Cooling and Natural Lighting.

WINDCATCHER[®], **SUNPIPE**[®] and **COOL-PHASE**[®] brands are synonymous with quality and innovation (ISO9001 & 14001) and are supported by our market leading design service.

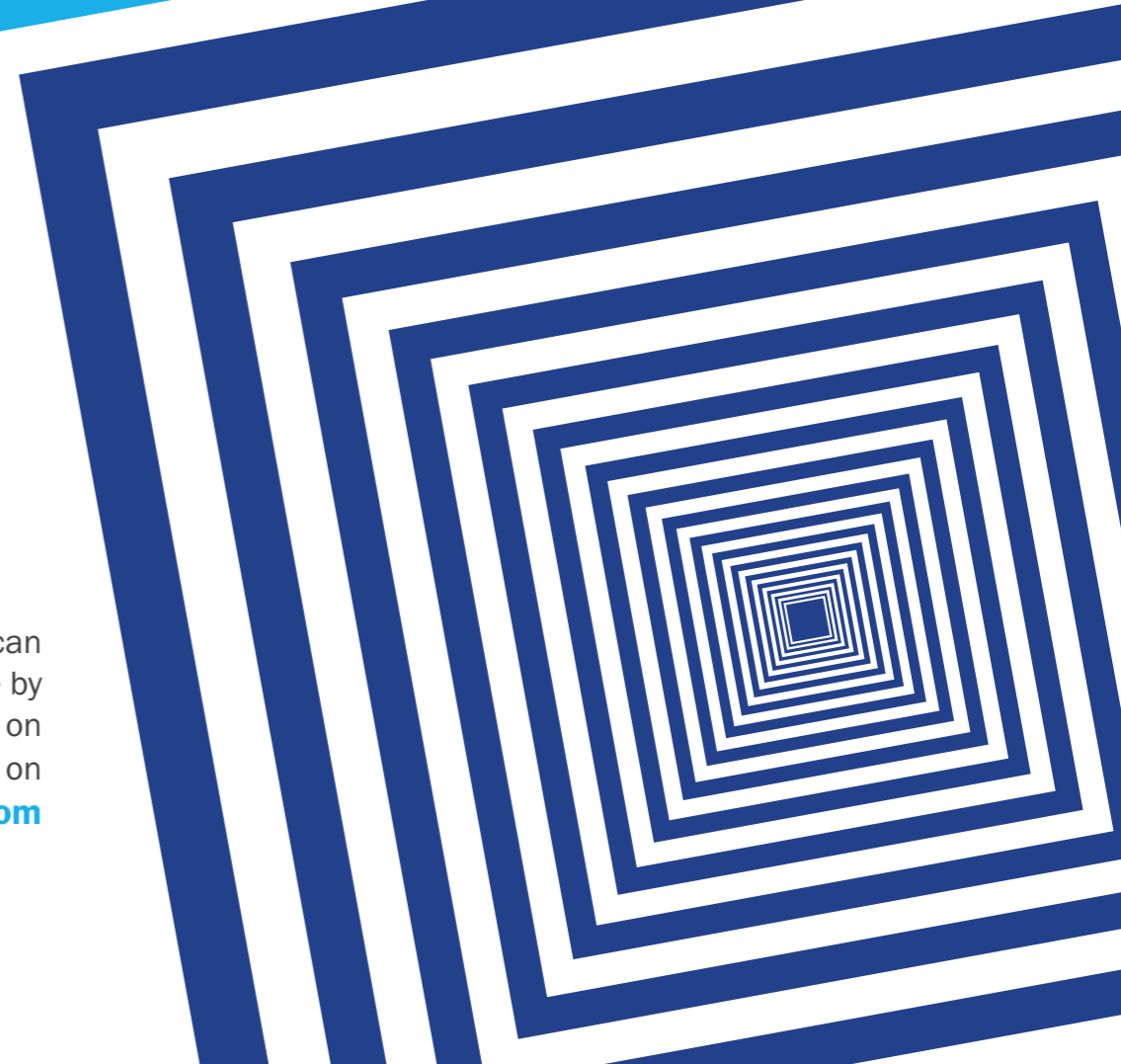
Air-Precision is an addition to Monodraught's portfolio including grilles, diffusers, external louvres and volume control dampers.

PRODUCT RANGE OF GRILLES, DIFFUSERS, LOUVRES AND DAMPERS

We are supporting this range with:

- £1 million of fast moving stock
- Bespoke manufacture with any standard RAL colour within 5 days
- 15 dedicated selection experts
- Designed with industry leading software
- Belimo actuators used throughout
- AA5 anodisation (ISO7599) utilised
- Market leading quality fully supported by a **10 year guarantee**

We are confident that we can beat any quotation you have by 10% so please contact us on **01494897700** or email us on **air-precision@monodraught.com**



Air Valves - AV



Air valves are an unobtrusive and simple to install air terminal, designed to handle low air volumes and suitable for performing both supply and extract functions.

Often seen in areas like bathrooms and kitchens, air valves benefit from either a stove enameled finish or a fully plastic construction, ensuring high levels of corrosion resistance.

All models have an adjustable centre core allowing adjustment of air volumes and cleaning.

Available in four models:

- **GEV:** Metal extract air valve
- **GSV:** Metal supply air valve
- **GEFV-CE:** CE marked fire rated extract air valve
- **PAV:** Plastic extract air valve

Materials:

- GEV and GSV: Steel
- GEFV-CE: Steel with plastic parts
- PAV: Plastic with galvanised steel mounting ring

Core:

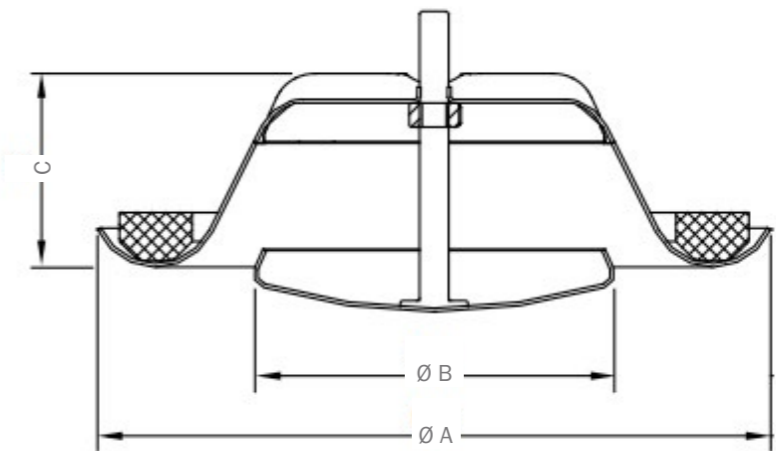
- Adjustable and removable to allow volume control and cleaning

Fixings:

- Mounting ring and gasket seal

Technical Drawings:

- **GEV - Metal extract air valve:**

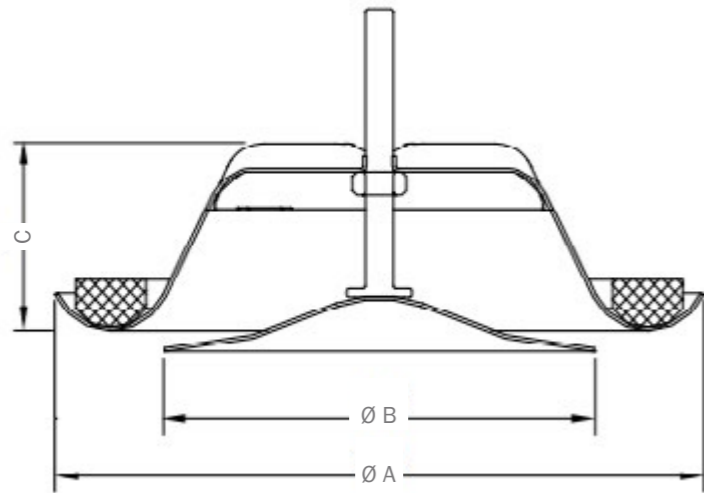


SIZE	A (mm)	B (mm)	C (mm)
100	140	75	40
125	170	99	46
150	202	119	54
160	202	119	54
200	254	157	64

Air Valves - AV

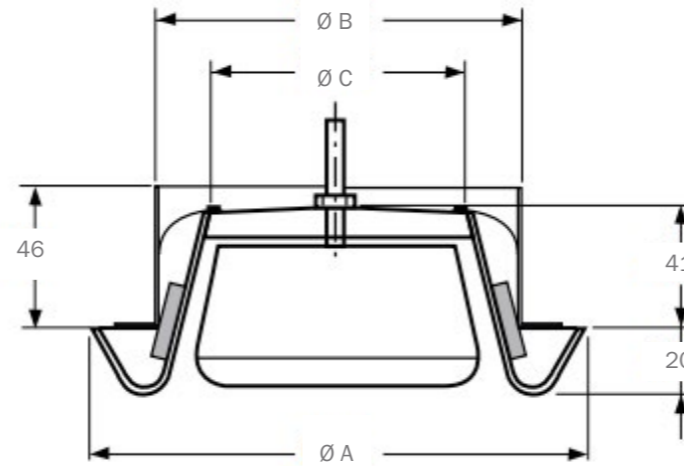
Technical Drawings:

- **GSV - Metal supply air valve:**



SIZE	A (mm)	B (mm)	C (mm)
100	140	92	40
125	170	111	46
150	202	135	54
160	202	194	54
200	254	194	64

- **PAV - Plastic extract air valve:**



SIZE	A (mm)	B (mm)	C (mm)
100	145	100	70
125	160	125	95
150	190	150	116
160	200	160	125
200	243	200	170

- **GEFV-CE - CE Marked fire rated extract air valve:**

A fully certificated CE marked air valve, assessed against the requirements of EN 15650:2010 and with fire resistance as follows:

Installation in flexible wall:

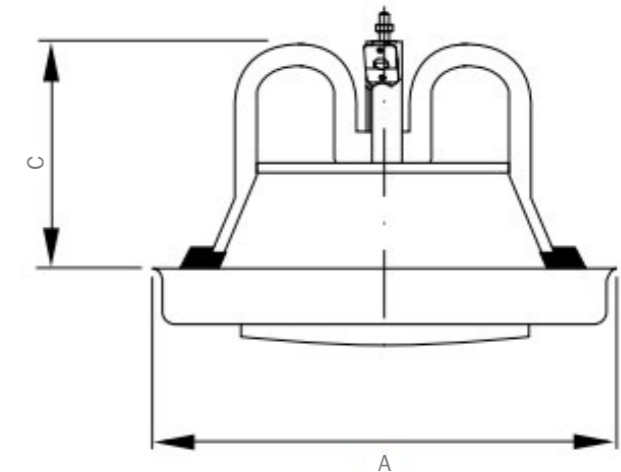
Integrity: E 60
Smoke Leakage: E 45 S

Installation in Rigid wall:

Integrity: E 120
Smoke Leakage: E 120 S

Installation in Rigid Floor:

Integrity: E 120
Smoke Leakage: E 60 S



SIZE	A (mm)	C (mm)
100	134	74
125	160	85
150	191	89
160	191	89
200	241	107

Air Valves - AV

Quick Selection Data:

- GEV**

SIZE	Air flow in l/s at sound levels		
	25 dB	30 dB	35 dB
100	30	37	45
125	46	57	68
150	58	70	81
160	64	80	98
200	120	140	170

- GSV**

SIZE	Air flow in l/s at sound levels		
	25 dB	30 dB	35 dB
100	20	24	30
125	40	48	57
150	59	68	80
160	50	58	65
200	80	100	120

- PAV**

SIZE	Air flow in l/s at sound levels		
	25 dB	30 dB	35 dB
100	25	29	34
125	33	40	50
150	46	56	66
160	50	60	70
200	55	65	78


- GEFV-CE**


SIZE	Air flow in l/s at sound levels		
	25 dB	30 dB	35 dB
100	28	34	40
125	43	50	59
150	61	73	80
160	61	73	80
200	69	82	99


Finish:


- Standard: White
- RAL: Polyester powder coated to RAL (GEV and GSV only)
- BS: Polyester powder coated to BS (GEV and GSV only)



 Halifax House, High Wycombe
Buckinghamshire, HP12 3SE


 +44 01494 897700

 +44 01494 532465

 www.monodraught.com

 info@monodraught.com

 Monodraught Ltd

 @MonodraughtLtd

 Monodraught Ltd

 **Monodraught**®
engineering delivered. naturally

