



**Monodraught** are the recognised market leaders in ultra-low carbon, low energy solutions for Natural Ventilation, Natural Cooling and Natural Lighting.

**WINDCATCHER®**, **SUNPIPE®** and **COOL-PHASE®** brands are synonymous with quality and innovation (ISO9001 & 14001) and are supported by our market leading design service.

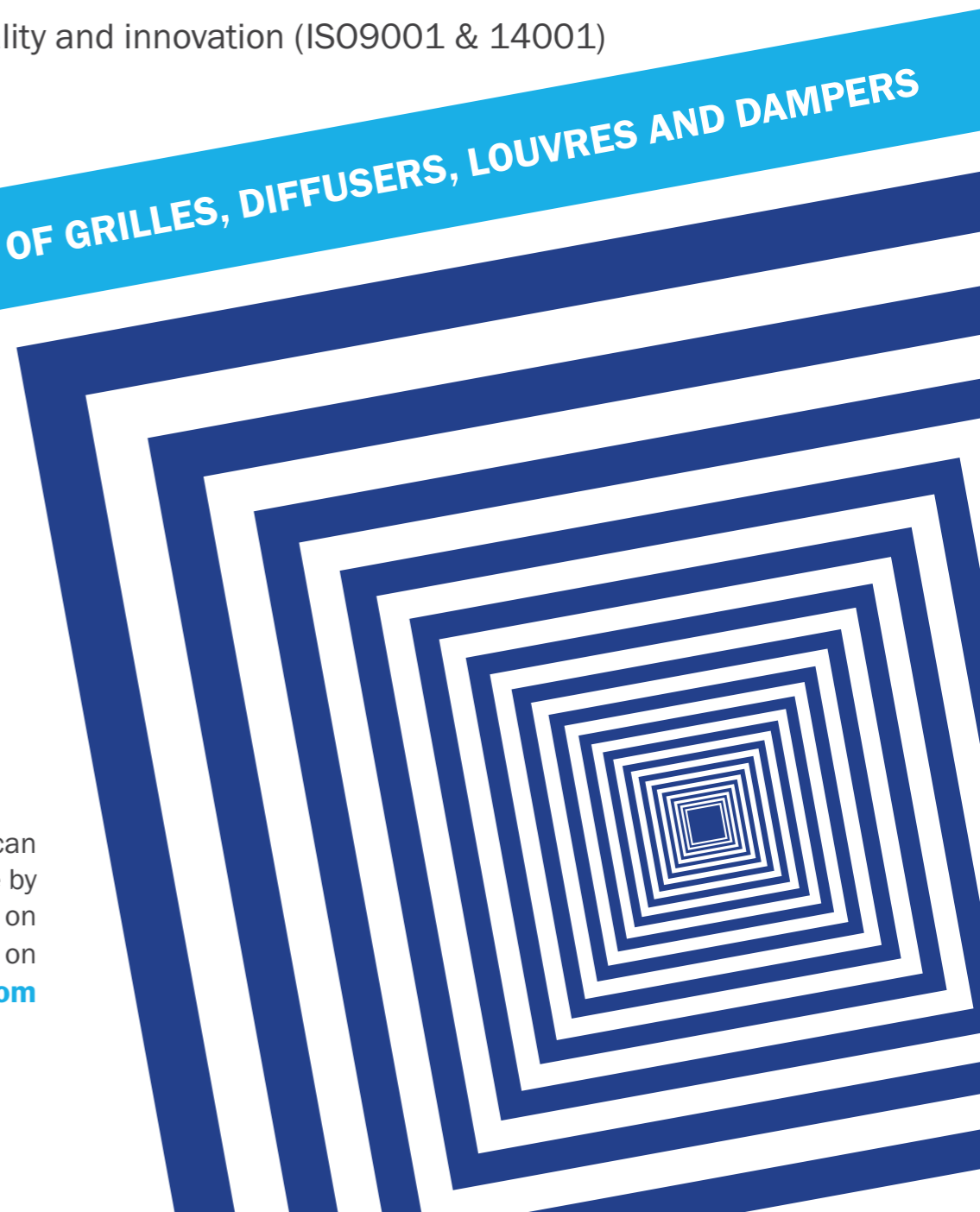
**Air-Precision** is an addition to Monodraught's portfolio including grilles, diffusers, external louvres and volume control dampers.

**PRODUCT RANGE OF GRILLES, DIFFUSERS, LOUVRES AND DAMPERS**

#### We are supporting this range with:

- £1 million of fast moving stock
- Bespoke manufacture with any standard RAL colour within 5 days
- 15 dedicated selection experts
- Designed with industry leading software
- Belimo actuators used throughout
- AA5 anodisation (ISO7599) utilised
- Market leading quality fully supported by a **10 year guarantee**

We are confident that we can beat any quotation you have by 10% so please contact us on **01494897700** or email us on **[air-precision@monodraught.com](mailto:air-precision@monodraught.com)**



# Combination Units - WL-BDS / VCD



Weather louvres and volume control dampers are two essential components in any ventilation system, so it makes sense to integrate them into one, easy to install unit.

Coming with all the options of their component parts, WL - VCDs can use either aluminium or steel volume control dampers, whilst WL - BDSs use all aluminium backdraught shutters (for intake or extract)

## Compact Design:

In a total depth of less than 18 cm we have managed to fit a louvre and volume control damper. Making combination units perfect for retrofit installations or where space is restricted.

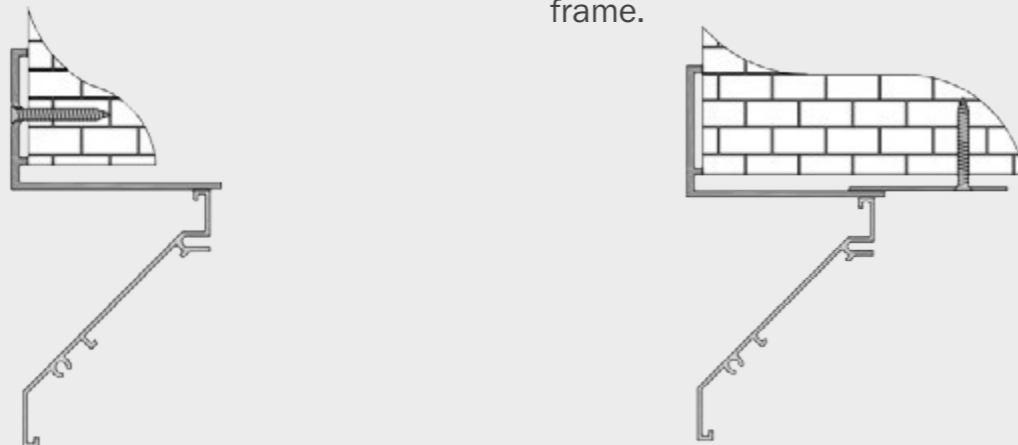
## Quick Installation:

By combining two necessary components into one unit, installation time is reduced.

Normal fixings for combination units are countersunk face fixing holes or drilling through the louvre frame on site.

## Fixing options:

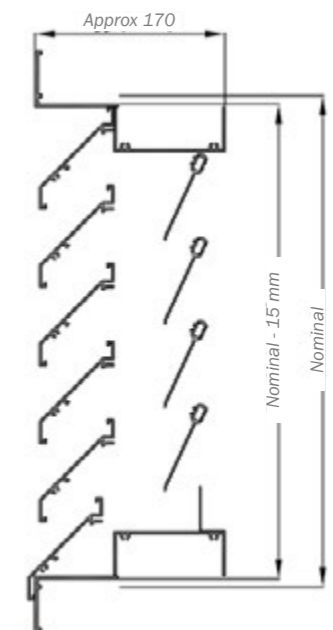
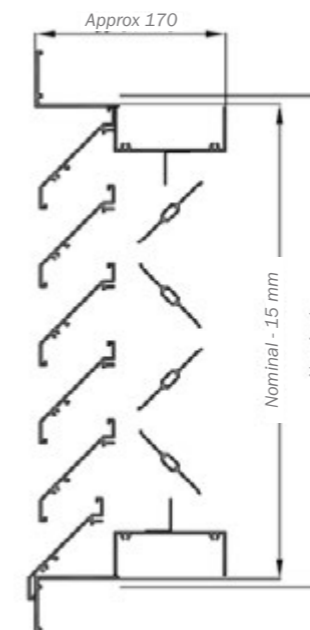
- **None:** The majority of standard louvres are manufactured with no factory fitted fixings. This allows the frame to be drilled on site when the louvre is fitted.
- **Fixing Holes:** Your louvre would be supplied with pre-punched fixing holes in the visible frame and philips type screws in the same finish as the louvre.
- **Glazing Bars:** Glazing bars can be fitted to all standard louvres to enable fitment into a window frame.
- **Fixing Lugs:** Your louvre will be fitted with brackets protruding past the rear of the frame (as shown). These fully welded brackets are strong enough to support the louvre and eliminate the need to drill the frame.



## Technical Drawings:

- **WL - VCD:** Fully aluminium weather louvre and volume control damper assembly. Shown with WL75 louvre.
- **WL - BDS:** Fully aluminium weather louvre and back draught shutter (non return damper) assembly. Intake or extract use must be stated. Shown with WL75 louvre.

*Extract mode shown.*



## Finish:

- Natural finish (standard)
- RAL: Polyester powder coated to RAL
- BS: Polyester powder coated to BS

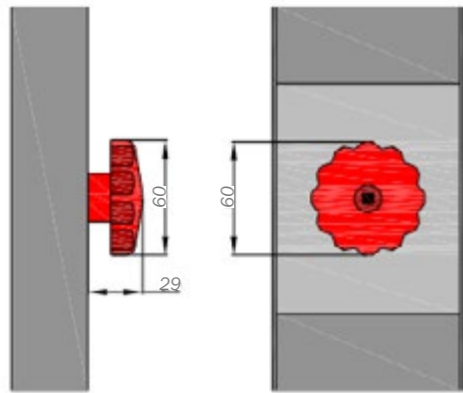


# Combination Units - WL-BDS / VCD

## VCD Control Options:

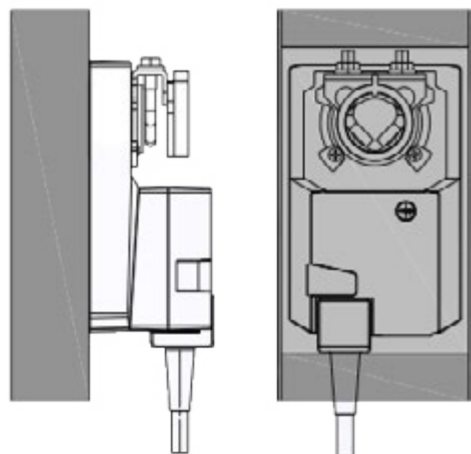
- **Plastic Handle:**

The standard control option with VCDs is a red plastic handle. Ergonomically designed for maximum grip, each one has a visual position indicator, showing blade angle and a central locking screw.



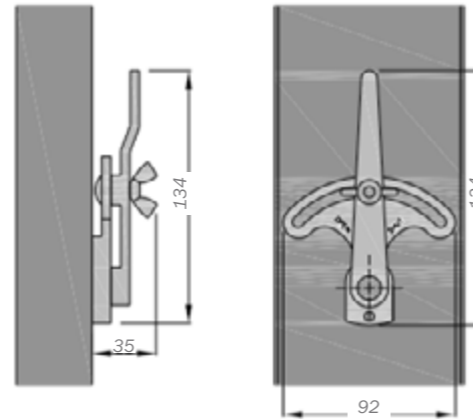
- **Actuators:**

The full range of Belimo actuators are available for factory fitment to VCDs. Most models are held on the shelf, including the versatile SM series. For specialist applications, pneumatic or explosion proof models are also available.



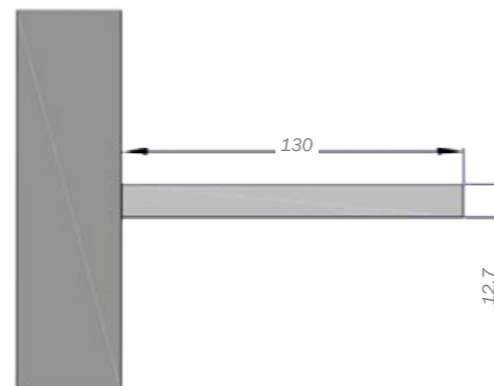
- **Locking Quadrant:**

Made from cast aluminium, locking quadrants give greater leverage than plastic handles making them easier to operate. They also incorporate a visual position indicator and locking mechanism by way of a wingnut.



- **Extended Spindle:**

If you wish, we can fit a steel extended spindle to allow motor fitment on site. The spindle protrudes around 130 mm from the damper case and has a 12.7 mm diameter.



## Further Options:

- **High Temperature Specification - HT:**

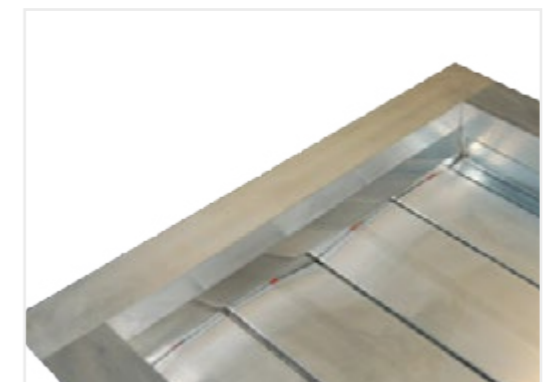
Replacing the standard red and black nylon parts with steel and brass parts enables VCDs to be used in environments where temperatures will reach up to 300°C.




High temperature and standard linkage components


- **Stainless Steel Side Seals - SS:**


To enhance shut off, stainless steel edge seals can be fitted. Best fitted in combination with blade edge seals.




VCD showing side seals and sealed aerofoil blades

 Halifax House, High Wycombe  
Buckinghamshire, HP12 3SE


 +44 01494 897700

 +44 01494 532465

 [www.monodraught.com](http://www.monodraught.com)

 [info@monodraught.com](mailto:info@monodraught.com)

 Monodraught Ltd

 @MonodraughtLtd

 Monodraught Ltd

 **Monodraught**<sup>®</sup>  
*engineering delivered. naturally*

