



Monodraught are the recognised market leaders in ultra-low carbon, low energy solutions for Natural Ventilation, Natural Cooling and Natural Lighting.

WINDCATCHER[®], **SUNPIPE**[®] and **COOL-PHASE**[®] brands are synonymous with quality and innovation (ISO9001 & 14001) and are supported by our market leading design service.

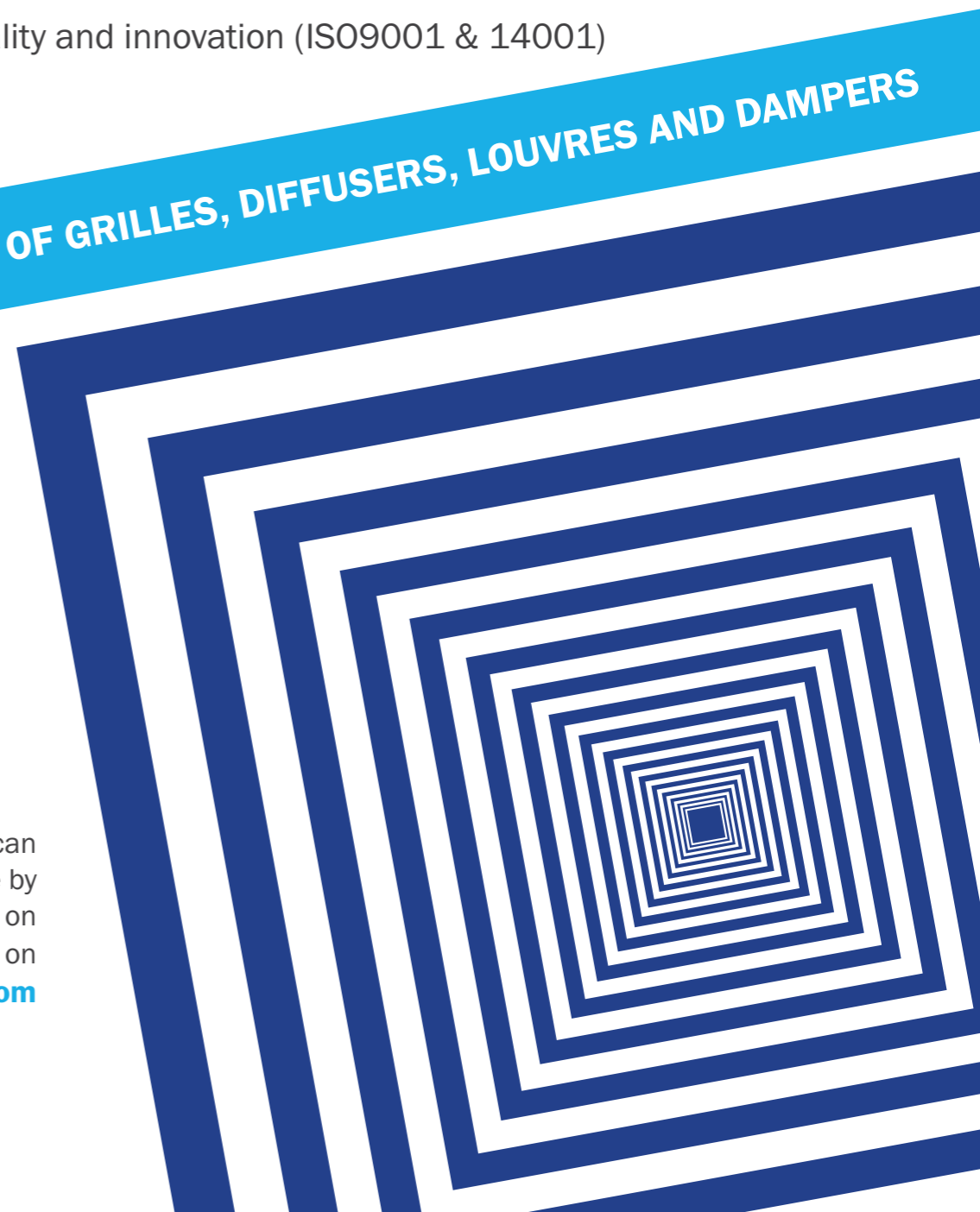
Air-Precision is an addition to Monodraught's portfolio including grilles, diffusers, external louvres and volume control dampers.

PRODUCT RANGE OF GRILLES, DIFFUSERS, LOUVRES AND DAMPERS

We are supporting this range with:

- £1 million of fast moving stock
- Bespoke manufacture with any standard RAL colour within 5 days
- 15 dedicated selection experts
- Designed with industry leading software
- Belimo actuators used throughout
- AA5 anodisation (ISO7599) utilised
- Market leading quality fully supported by a **10 year guarantee**

We are confident that we can beat any quotation you have by 10% so please contact us on **01494897700** or email us on **air-precision@monodraught.com**



Double Bank Weather Louvres - DBL



Series DBL double bank louvres are a specialist louvre system designed to provide elevated levels of rain rejection, whilst also providing a non vision quality by blocking direct line of sight through the louvre.

Making use of a new single piece blade extrusion, DBL louvres are among the lightest louvres available in their class and their slimline construction is just 100 mm deep.

Available in flanged, recessed or reversed frame variants, DBL louvres are versatile units suitable for anywhere requiring a chevron blade louvre.

Materials:

- Extruded aluminium
- BZP steel screws

Blade:

- 75 mm pitch with 45° face slope

Core:

- Fixed

Frame:

- Standard: Flanged
- Optional: Recessed and reversed

Debris Screen:

- BS: Bird Screen (12 mm x 12 mm mesh)
- IS: Insect Screen

Flanged:

- 25F: 25 mm flat flange (optional)
- 50F: 50 mm flat flange (standard)
- 100F: 100 mm flat flange (optional)

Mass / m² face area:

- 17.5 kg

Free area:

- Approx 50% (varies with size)

Technical Notes:

Stop Gaps:

Louvre blades are laid out starting with the bottom blade and then working upwards.

Should a whole number of blades not be possible to fit into the required height, the top-most blade will either be cut down or a stop gap will be fitted.

The maximum heights of stop gap is 75 mm.

Stop gaps are visible only as flat aluminium sections.

Frame types:

The below table shows the standard and optional flanges available for HPL louvres, along with ordering codes and dimensions.

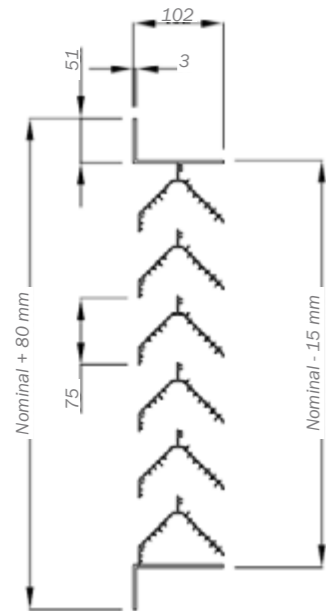
These are only standard sizes (If your requirement is not shown below, please contact us):

FRAME CODE	DESCRIPTION	STANDARD OR OPTIONAL	NOMINAL TO OVERALL SIZE	OVERALL DEPTH
25F	25 mm flat	Optional	+ 30 mm	102 mm
50F	51 mm flat	Standard	+ 80 mm	102 mm
100F	102 mm flat	Optional	+ 180 mm	102 mm

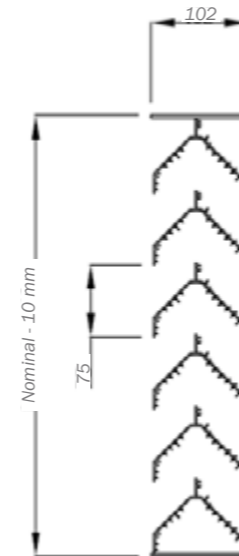
Double Bank Weather Louvres - DBL

Technical Drawings:

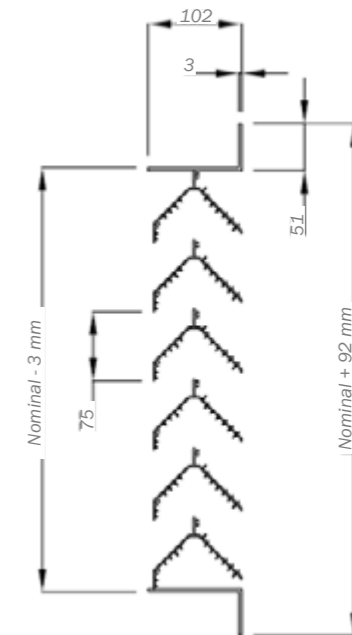
- Flanged Frame



- Recessed Frame



- Reversed Frame



Double Bank Weather Louvres - DBL

Fixings:

- **None (standard):**

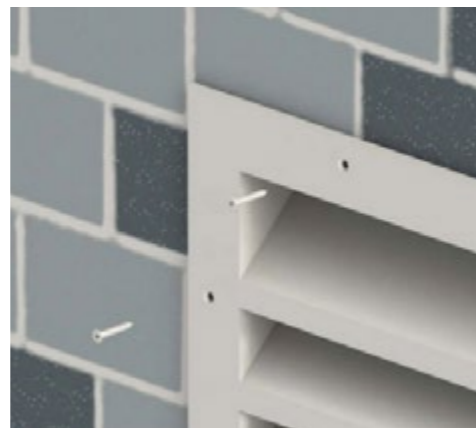
Most weather louvres are supplied with no fixings.
In this instance we recommend drilling through either the louvre flange or the neck and screwing directly into the supporting structure with an appropriate fixing.



- **Predrilled Face Fixing Holes - FH:**

5.7 mm fixing holes will be drilled into the louvre frame before powder coating, allowing quick and easy fitting on site.
Number and layout of fixing holes will be appropriate to louvre size.
Arrangements can be specified.

- Supplied with pozidrive self tapping screws in the same finish as the louvre.
Only available with flanged and reversed flanged louvres.



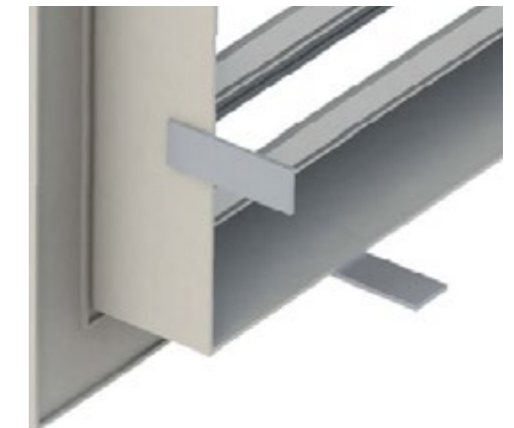
- **Glazing Bar - GZ (required depth needed):**

An additional frame can be fixed to the louvre neck to create a glazing bar frame suitable for installation into uPVC channels in place of glass window panes.
Only available with flanged and reversed flange louvres.



- **Rear Mounted Concealed Fixing Lugs - FL:**

3 mm thick, 25 mm wide lugs, protruding 50 mm from the back of the louvre neck can be factory fitted to your louvre.
Lugs are supplied undrilled to accept whatever fixing is required on site and are either welded or double riveted to the louvre.
An appropriate amount of lugs will be fitted to suit the louvre size.
Only available with flanged and recessed louvres.



*Please note: Images show fixing methods and options on Series WL standard louvres.
Appearances may vary slightly from that shown.*

Double Bank Weather Louvres - DBL

Large Units:

Large louvres may need to be produced in sections. The number of sections can be stated in your ordering code, or will be decided by Monodraught and stated on your order acknowledgment.

Side-by-Side Sections:

Non continuous appearance. Blades will be edged with a recessed frame to be butted up to its adjacent profile. Sides will be predrilled to accept joining bolts.

Vertically Stacked Sections:

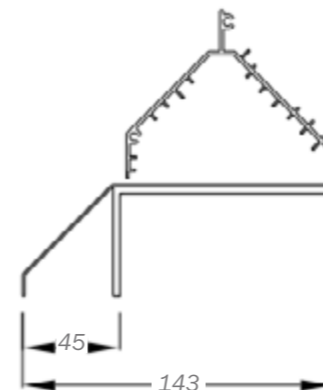
Units will be manufactured in sections of equal height, to be stacked together upon installation.

Joining strips can be supplied if required to ensure alignment.

Additional Options:

- **Face Mounted Drip Cill - DC:**

By fitting an extended cill beneath the bottom blade, any water caught by the louvre is ejected away from the wall, instead of the bottom section of frame. This can help prevent streak marks where water has run down a wall over time.



- **Rear Mounted Drip Tray - DT:**


Drip trays can be fitted to DBL louvres to provide enhanced rain rejection, by acting to catch any water which penetrates through the louvre. Trays protrude 65 mm past the rear of the frame.





Finish:


- Mill aluminium (standard)
- RAL: Polyester powder coated to RAL
- BS: Polyester powder coated to BS



 Halifax House, High Wycombe
Buckinghamshire, HP12 3SE

 +44 01494 897700

 +44 01494 532465

 www.monodraught.com

 info@monodraught.com

 Monodraught Ltd

 @MonodraughtLtd

 Monodraught Ltd

 **Monodraught**[®]
engineering delivered. naturally

