



Monodraught are the recognised market leaders in ultra-low carbon, low energy solutions for Natural Ventilation, Natural Cooling and Natural Lighting.

WINDCATCHER®, **SUNPIPE®** and **COOL-PHASE®** brands are synonymous with quality and innovation (ISO9001 & 14001) and are supported by our market leading design service.

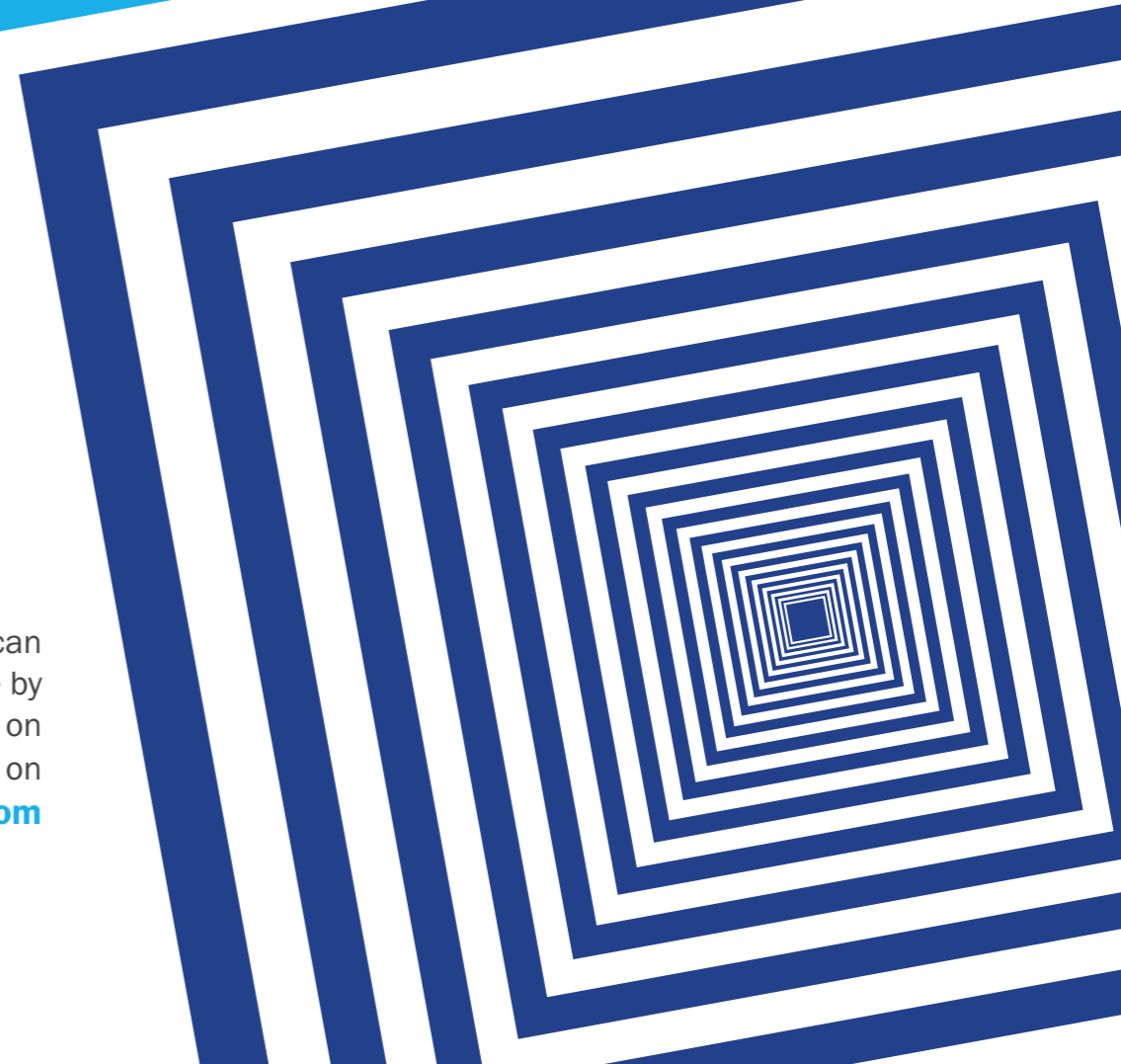
Air-Precision is an addition to Monodraught's portfolio including grilles, diffusers, external louvres and volume control dampers.

PRODUCT RANGE OF GRILLES, DIFFUSERS, LOUVRES AND DAMPERS

We are supporting this range with:

- £1 million of fast moving stock
- Bespoke manufacture with any standard RAL colour within 5 days
- 15 dedicated selection experts
- Designed with industry leading software
- Belimo actuators used throughout
- AA5 anodisation (ISO7599) utilised
- Market leading quality fully supported by a **10 year guarantee**

We are confident that we can beat any quotation you have by 10% so please contact us on **01494897700** or email us on **air-precision@monodraught.com**



High Performance Weather Louvres - HPL



Series HPL high performance weather louvres are an independently tested weather louvre, certified by BSRIA to provide “Class A” rain protection when tested against BS EN 13030:2001.

While a primary bank of standard weather louvre blades, Series HPL louvres have a conventional appearance, perfect for installations where high performance louvres may sit alongside standard louvres or site-assembly louvre cladding.

At the rear, two banks of vertical channels act to catch any water which penetrates the outer blades, this then falls into a drip cill mounted at the base of the louvre and flows out through a concealed gap between the bottom blade and the frame.

Materials:

- Frame: Extruded aluminium
- Blades: Extruded aluminium
- Rain catchment channels: Galvanised steel

Blade:

- WL75 type: 75 mm pitch with 45° face slope

Core:

- Fixed

Frame:

- Standard: Flanged
- Optional: Recessed

Debris Screen:

- BS: Bird Screen (12 mm x 12 mm mesh)
- IS: Insect Screen

Flanged:

- 50F: 51 mm flat flange (standard)
- 100F: 102 mm flat flange (optional)

Mass / m² face area:

- 30 kg

Free area:

- Approx 30% (varies with size)

Important Note: Free area is not a reliable guide to performance. It is possible to have two louvres with identical geometric free areas but different airflow characteristics.

BSRIA Testing:

Series HPL high performance weather louvre have been tested against:

BS EN 13030:2001

The testing was carried out in April 2013 by BSRIA in Bracknell, Berkshire, England.



Performance:

Louvres are subjected to simulated rainfall of 75 mm per hour, with a wind speed of 13 m/s (29 mph).

Rain ingress is then measured at various draw speed through the louvre, this is in addition to the constant 13 m/s simulated wind speed.

Mean airflow coefficient: 0.126 (Class 4)

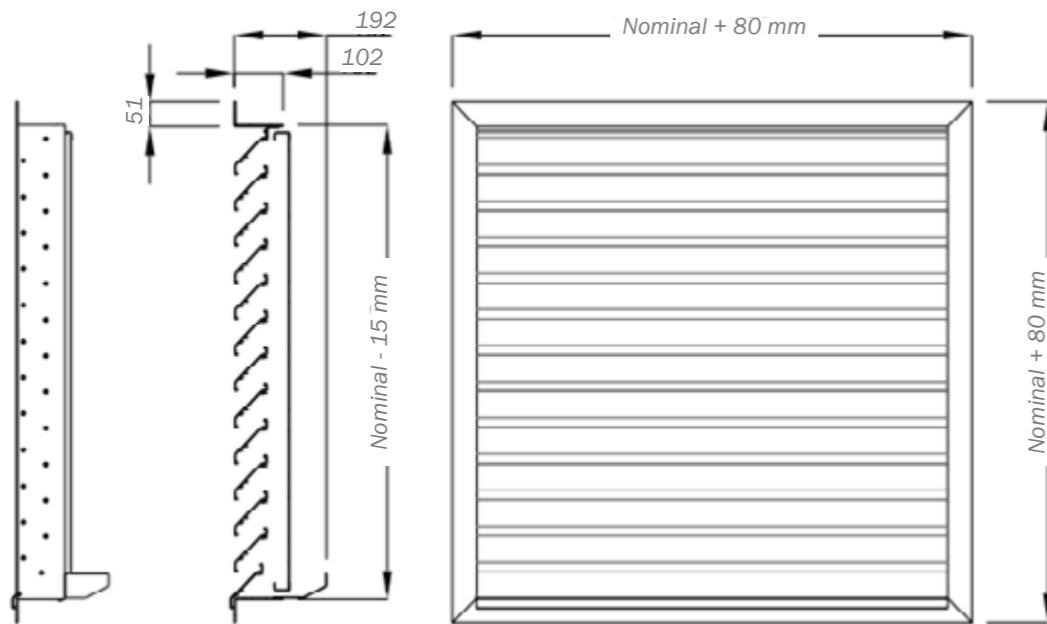
Rain Rejection: See Table

DRAW VELOCITY (m/s)	EFFECTIVENESS	CLASS
0.00	99.6%	A
0.48	99.1%	A
0.96	98.9%	B
1.44	98.6%	B
1.92	98.2%	B
2.40	98.0%	B
2.88	92.1%	C
3.37	51.1%	D

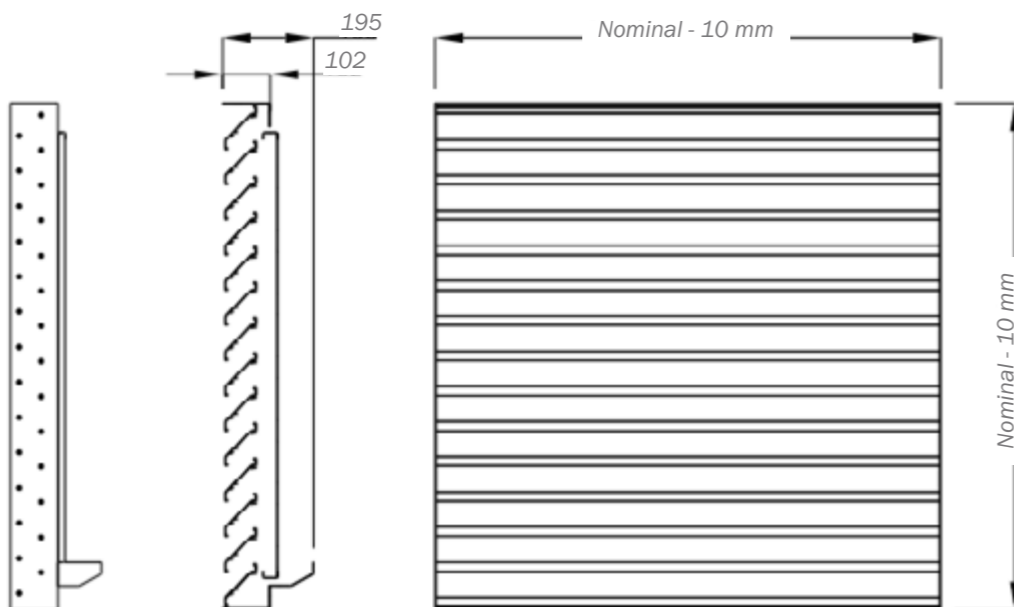
High Performance Weather Louvres - HPL

Technical Drawings:

- **Flanged (standard)**



- **Recessed Frame**



Technical Notes:

Stop Gaps:

Louvre blades are laid out starting with the bottom blade and then working upwards.

Should a whole number of blades not be possible to fit into the required height, the top-most blade will either be cut down or a stop gap will be fitted.

The maximum heights of stop gap on a HPL louvre is 60 mm.

Stop gaps are visible only as flat aluminium sections and are fitted prior to powder coating (if required).

Frame types:

The below table shows the standard and optional flanges available for HPL louvres, along with ordering codes and dimensions.

These are only standard sizes (If your requirement is not shown below, please contact us):

FRAME CODE	DESCRIPTION	STANDARD OR OPTIONAL	NOMINAL TO OVERALL SIZE
50F	51 mm flat	Standard	+ 80 mm
100F	102 mm flat	Optional	+ 180 mm

Large Units

Large louvres may need to be produced in sections. The number of sections can be stated in your ordering code, or will be decided by Monodraught and stated on your order acknowledgment.

Side-by-Side Sections:

Continuous appearance with concealed bolting points for joining adjacent sections.

Vertically Stacked Sections:

Units will be manufactured in sections of equal height, to be stacked together upon installation.

Joining strips can be supplied if required to ensure alignment.

High Performance Weather Louvres - HPL

Fixings:

- **None (standard):**

Most weather louvres are supplied with no fixings.

In this instance we recommend drilling through either the louvre flange and screwing directly into the supporting structure with an appropriate fixing.

Please note: Due to rear blades, screwing through the neck from behind the louvre is very difficult



- **Predrilled Face Fixing Holes - FH:**

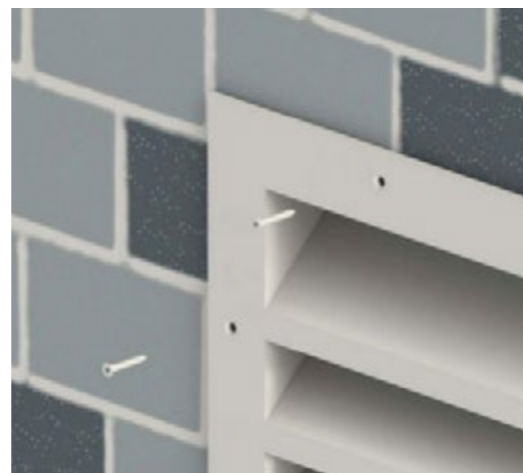
5.7 mm countersunk fixing holes will be punched into the louvre frame before powder coating, allowing quick and easy fitting on site.

Number and layout of fixing holes will be appropriate to louvre size.

Arrangements can be specified.

Supplied with pozidrive self tapping screws in the same finish as the louvre.

Only available with flanged louvres.



- **Glazing Bar - GZ (required depth needed):**

An additional frame can be fixed to the louvre neck to create a glazing bar frame suitable for installation into uPVC channels in place of glass window panes. Only available with flanged louvres.

Please note: Image shows standard WL.



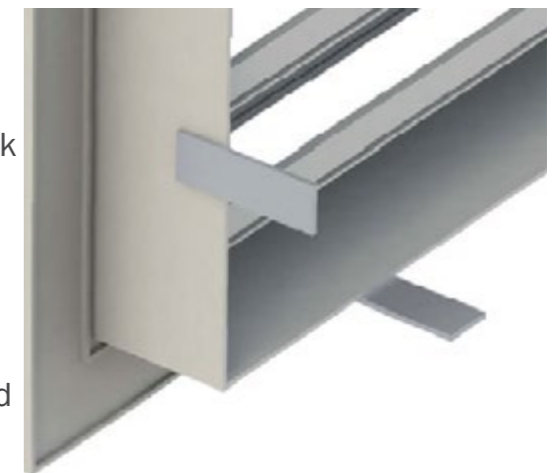
- **Rear Mounted Concealed Fixing Lugs - FL:**

3 mm thick, 25 mm wide aluminium lugs, protruding from the back of the louvre neck can be factory fitted to your louvre.

Lugs are supplied undrilled to accept whatever fixing is required on site and are either welded or double riveted to the louvre.

An appropriate amount of lugs will be fitted to suit the louvre size.

Please note: Image shows standard WL.



High Performance Weather Louvres - HPL

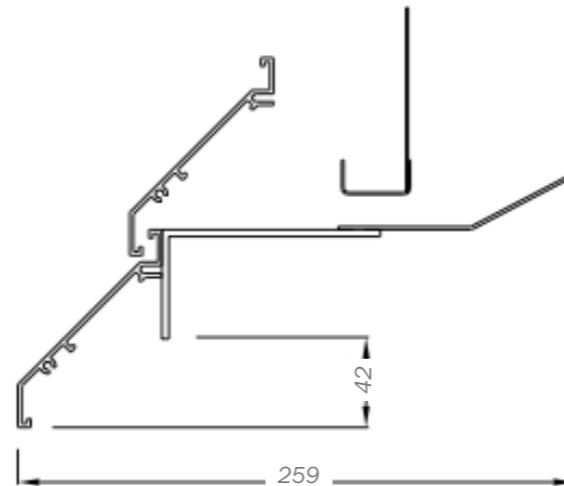
Additional Options:

- **Face Mounted Drip Cill - DC:**

By fitting an extended cill beneath the bottom blade, any water caught by the louvre is ejected away from the wall, instead of the bottom section frame.

This can help prevent streak marks where water has run down a wall over time.


Please note: Recessed louvres will have a folded sheet metal drip cill.





Finish:


- Mill aluminium (standard)
- RAL: Polyester powder coated to RAL
- BS: Polyester powder coated to BS



 Halifax House, High Wycombe
Buckinghamshire, HP12 3SE

 +44 01494 897700

 +44 01494 532465

 www.monodraught.com

 info@monodraught.com

 Monodraught Ltd

 @MonodraughtLtd

 Monodraught Ltd

 **Monodraught**[®]
engineering delivered. naturally

