



Controls by Monodraught

HTM Louvre Override Controller (HU001A)

General Description

The HTM wall controller is designed to be mounted within a zone containing up to two HTM units. Via the wall controller, the user has the ability to control the fan speed / turn off the fan, as well as the ability to open the VENTSAIR Louvres at various increments to aid in bringing in fresh air into the room.

Features

- Room temperature and air quality (CO₂) sensors
- ABS Moulded back box
- RJ45 Connection
- Fan speed control
- VENTSAIR louvre override control
- 24V DC Power supplied by the system via CAT5 cable

Operation

The wall mounted controller houses two sensors which monitor the room's temperature and CO₂ level. If the CO₂ level rises above 900 ppm, the system will operate in natural ventilation mode by opening both the external and recirculation damper allowing fresh air into the space. If more fresh air is required in summer, the unit will automatically open the VENSTAIR louvre. If the external temperature falls below 15°C, the unit will operate in mixed mode; mixing external air with room air before bringing it into the room to prevent cold draughts.

If the CO₂ level rises above 1100 ppm, the HTM will operate in boost mode; bringing in fresh air into the room and reducing the CO₂ level.

The user has the ability to override the louvres using the plus and minus buttons.



Functionality



- 1. Boost mode:** Will provide a boosted level of ventilation via the HTM low energy fan.
- 2. Auto mode:** Allows the HTM system to operate within its 3 automatic modes.
- 3. Off mode:** Closes the high level exhaust damper and stops the fan from operating.
- 4. Louvre LED's**
No LED = Closed
1 LED = 10% open
2 LED = 25% open
3 LED = 60% open
4 LED = 100% open
- 5. Louvre Plus:** Opens the VENTS AIR louvre by 1 step.
- 6. Louvre Minus:** Closes the VENTS AIR louvre by 1 step.
- 7.** Temperature and air quality (CO₂) sensor

Technical Specifications

Material

- Enclosure moulded in flame retardant PC/ABS

Operating Conditions

- 10 - 40°C
- 10 - 80% RH non-condensing

Mounting

- To be mounted 1.2 m - 2.1 m from floor out of direct sunlight

Dimensions

- 10 mm x 150 mm x 40 mm

Terminals

- RJ45 Terminated CAT5 cable

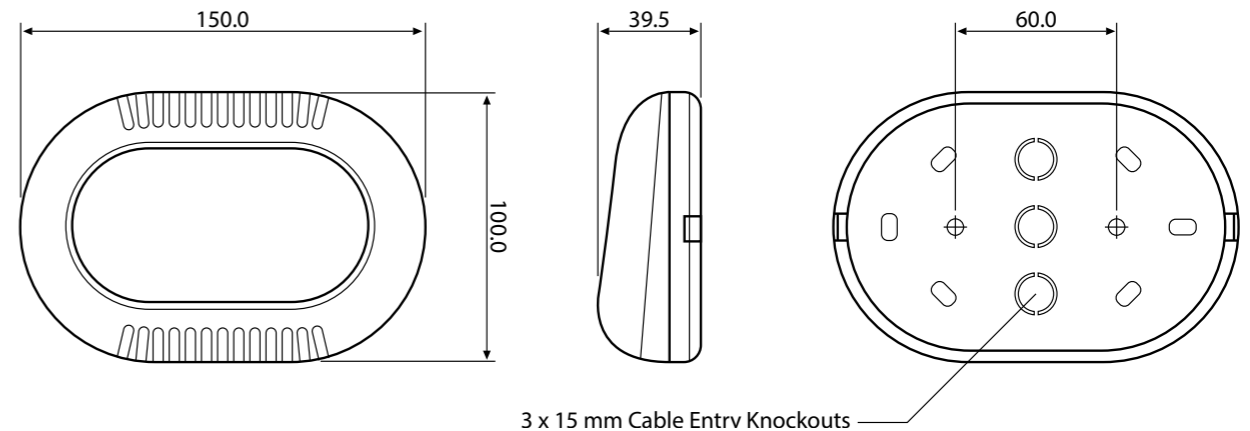
Power Supply

- 24V DC @ 15mA nominal

Self-Test Mode

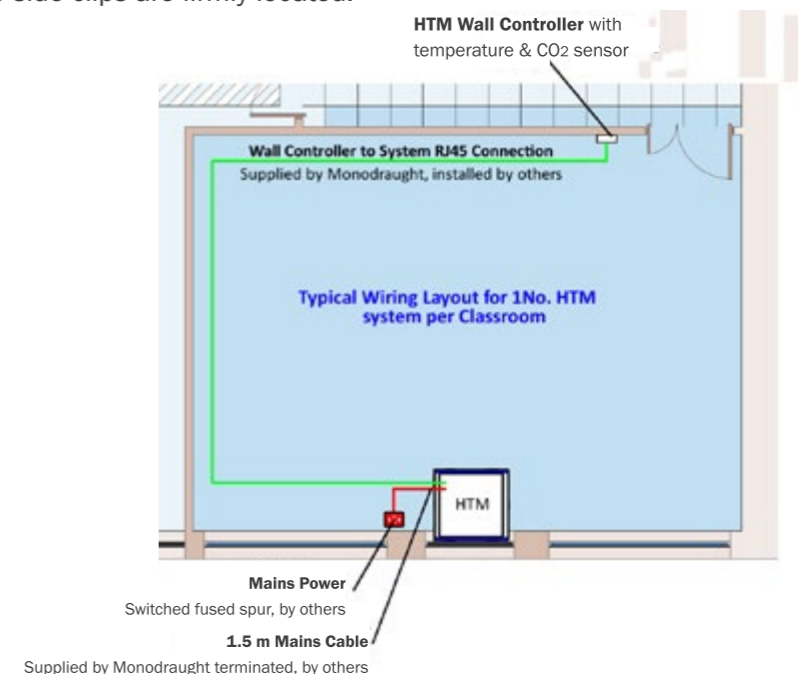
The wall controller also has the ability to perform a self-test operation. This means it is able to run a diagnostic test on the HTM to search for any faults within the system. If any faults are found they will be indicated via LEDs on the louvre override buttons.


Dimensions





Installation

- Separate the two piece case by pressing the side clips in and put the front cover to one side.
- Screw the base plate to the wall ensuring that the TOP arrow is at the top.
- Secure to the wall using a minimum of two fixings.
- Use the two screws supplied with the correct wall plug for the type of wall construction, where the controller is being mounted.
- The controller should be mounted between 1.2 m and 2.1 m above floor level.
- The controllers contain a temperature sensor and care should be taken with the location to ensure that they are not mounted above a heat source, in direct sunlight or in an area where draughts occur.
- Connect the CAT5 cable to the PCB located within the front cover via the RJ45 connection ensuring the cable is located in a way that allows the case to easily close, the cable can be routed through the back of the case.
- Carefully place the front cover onto the base plate ensuring all tabs line up, no cabling is caught and the two side clips are firmly located.



 Halifax House, High Wycombe
Buckinghamshire, HP12 3SE

 +44 01494 897700

 +44 01494 532465

 www.monodraught.com

 info@monodraught.com

 Monodraught Ltd

 @MonodraughtLtd

 Monodraught Ltd