

Controls by Monodraught

Rain Sensor Kit (IN0043, IN0042, IN0040)

The Rain Sensor Kit comprises of: IN0043 IP65 DIN rail Enclosure for liquid detection module, IN0042 Liquid detection module and IN0040 Rain Sensor. The kit provides detection of rain through a volt-free changeover relay output. The Rain Sensor incorporates a heater to dry the sensor post sensing event and to prevent erroneous detection of mist etc.

This kit is suitable for most applications requiring precipitation detection and is recommended for use with Monodraught iNvent control systems or third party BMS solutions.



Technical Details

Material

- IN0043: Flame Retardant Polystyrene (Polycarbonate Door)
- IN0042 and IN0040: Enclosures are manufactured from Flame Retardant Polycarbonate.

Operating Conditions

- -10 °C to + 40 °C
- 10% – 80% RH non-condensing (IN0040: 0 – 100% RH with IP65 gland)

Mounting

- Liquid detection module (IN0042) to be mounted inside the building and within the supplied enclosure (IN0043)
- Rain Sensor (IN0040) to be mounted on the roof with the sensing element facing upwards, clear of any obstructions like pier walls or higher buildings in all directions for at least 20 m

Dimensions

- IN0043: 100 mm x 150 mm x 96 mm
- IN0042: 55 mm x 90 mm x 58 mm
- IN0040: 60 mm x 75 mm x 36 mm

Terminals

- Cable size 2 mm² max
- 240V cables to be sized to suit spur rating.
- Cable size 0.5 mm² multi-strand recommended for all low voltage

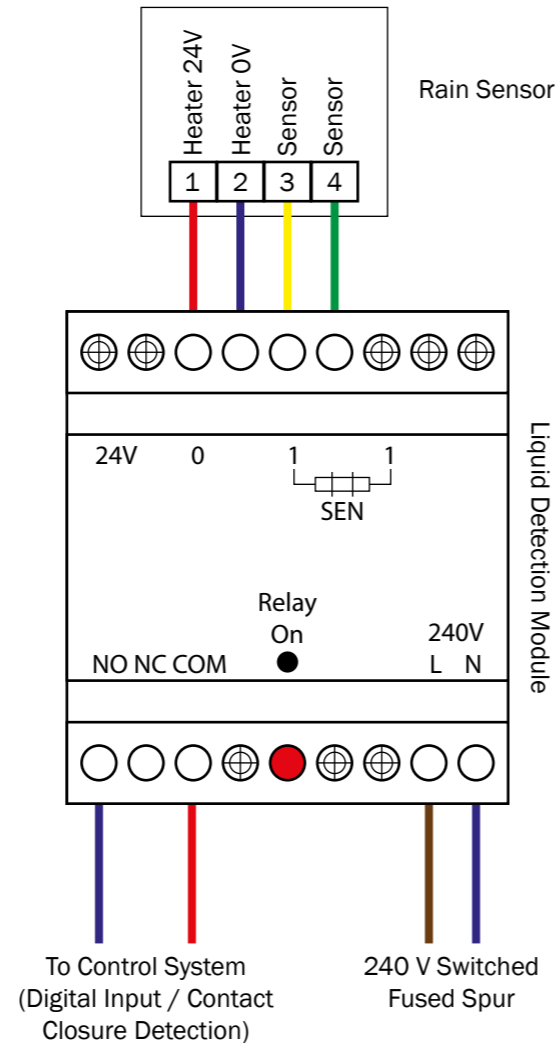
Protection

- IN0043: IP65
- IN0042: IP20
- IN0040: IP65

Power Supply

- IN0042: 240 V AC +/- 15% @ 40 mA Max

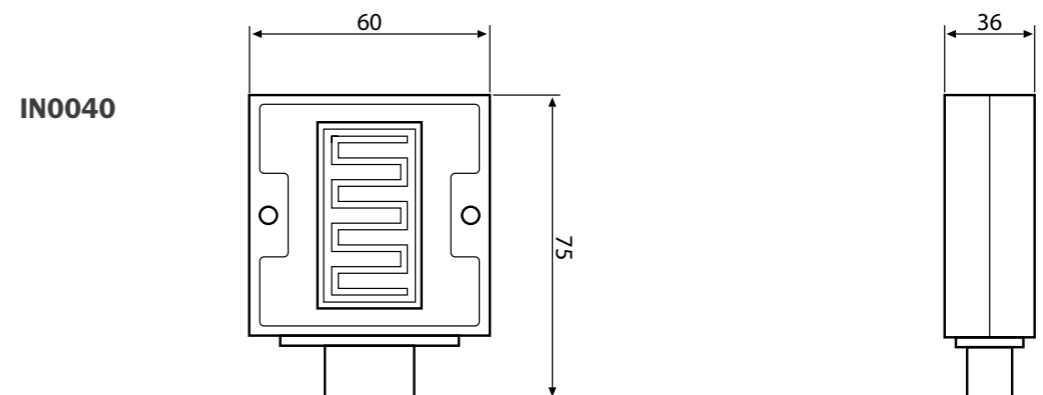
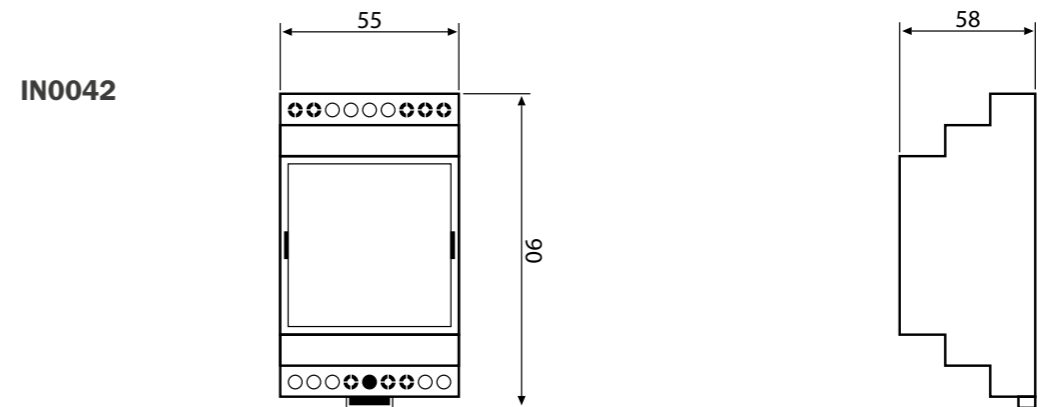
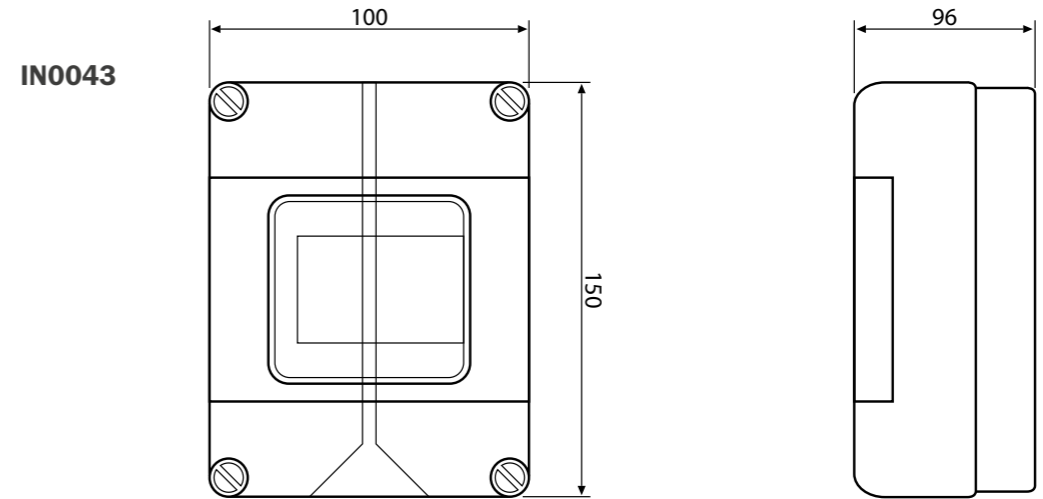
Wiring Details





Output


Output	Relay Type	Delay to Active	Relay Rating
Rain	Changeover (NO Mode Commonly Utilised)	6 Seconds	240 V 3A Max (Low Voltage Digital Input Preferred)

Dimensions [mm]



 Halifax House, High Wycombe
Buckinghamshire, HP12 3SE


 +44 01494 897700

 +44 01494 532465

 www.monodraught.com

 info@monodraught.com

 Monodraught Ltd

 @MonodraughtLtd

 Monodraught Ltd