



**Monodraught** are the recognised market leaders in ultra-low carbon, low energy solutions for Natural Ventilation, Natural Cooling and Natural Lighting.

**WINDCATCHER®**, **SUNPIPE®** and **COOL-PHASE®** brands are synonymous with quality and innovation (ISO9001 & 14001) and are supported by our market leading design service.

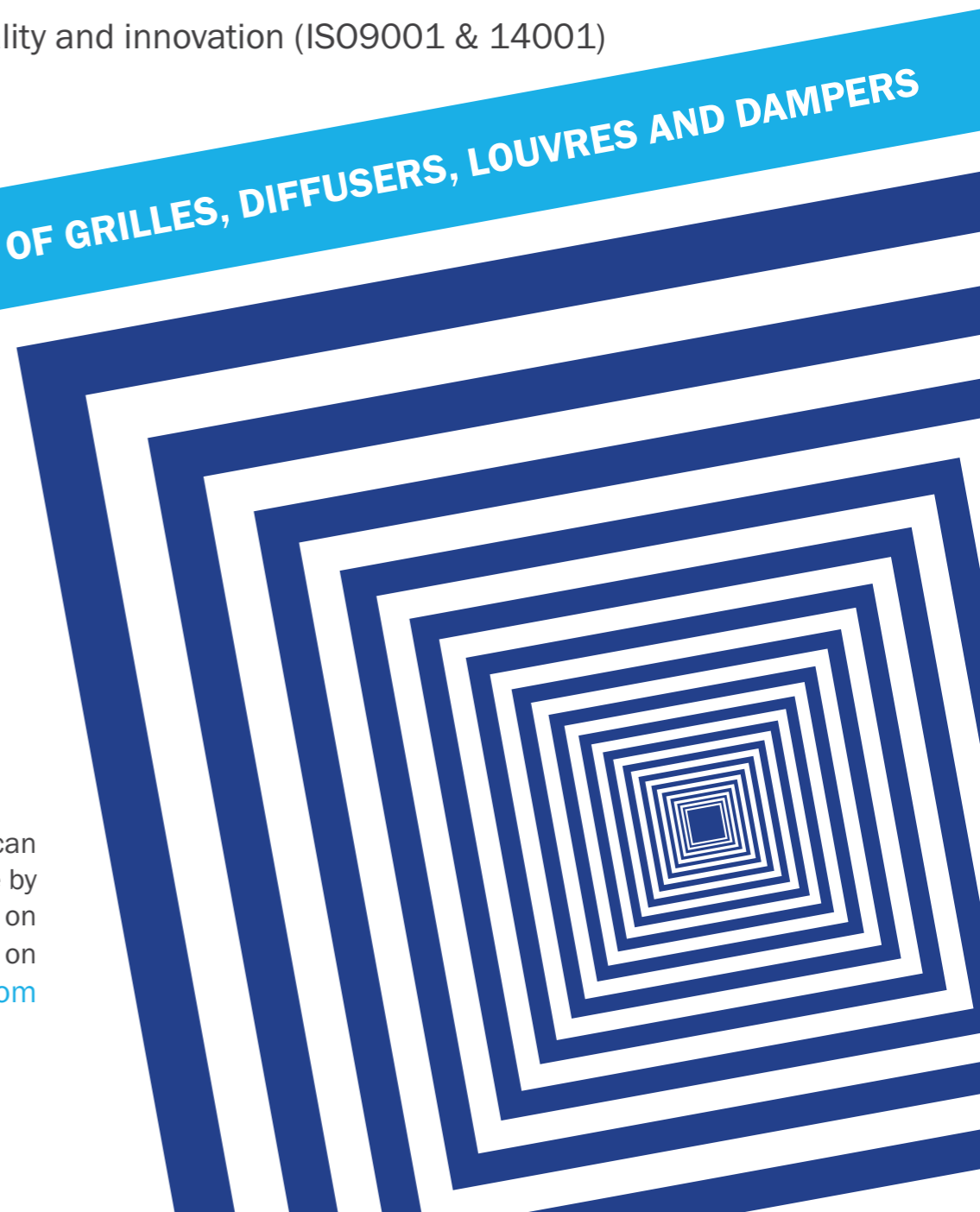
**Air-Precision** is an addition to Monodraught's portfolio including grilles, diffusers, external louvres and volume control dampers.

**PRODUCT RANGE OF GRILLES, DIFFUSERS, LOUVRES AND DAMPERS**

#### We are supporting this range with:

- £1 million of fast moving stock
- Bespoke manufacture with any standard RAL colour within 5 days
- 15 dedicated selection experts
- Designed with industry leading software
- Belimo actuators used throughout
- AA5 anodisation (ISO7599) utilised
- Market leading quality fully supported by a **10 year guarantee**

We are confident that we can beat any quotation you have by 10% so please contact us on **01494897700** or email us on [air-precision@monodraught.com](mailto:air-precision@monodraught.com)



# Small Format Circular Diffuser - SFCDA



Series SFCDA small format circular diffusers are high capacity supply terminals, designed to suit large open plan areas like gyms and bars.

The concentric circular core pattern spreads air in all directions, perfect for installations requiring a non targeted, well diffuser throw.

Comprising a spun aluminium outer frame and inner core, there is an integrated butterfly damper mounted behind the core, allowing for airflow to be trimmed to suit requirements.

Supplied complete with a mounting bar and required screws to facilitate fitting into plasterboard ceilings.

## Materials:

- Spun aluminium outer frame and core
- Galvanised steel mounting bar
- Plastic butterfly damper

## Frame:

- 23 mm Wide flange

## Core:

- Removable

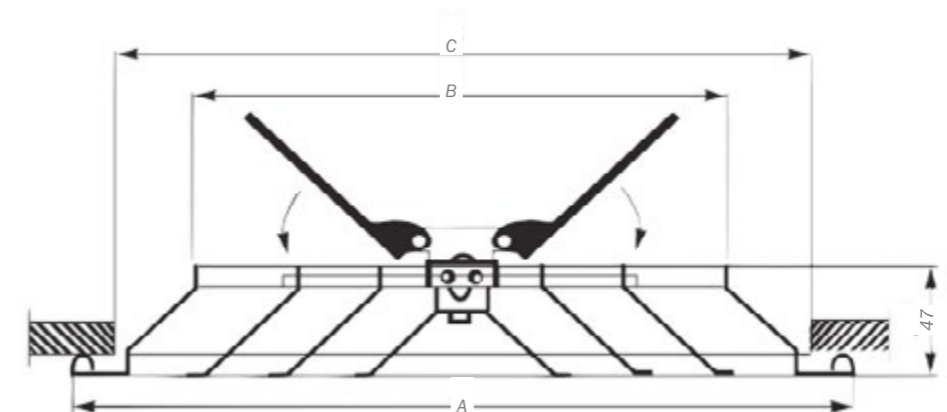
## Finish:

- SAA: Satin anodised
- RAL: Polyester powder coated to RAL
- BS: Polyester powder coated to BS


*Butterfly dampers are supplied in Black regardless of diffuser colour*





## Technical Drawings:




| SIZES | DIMENSIONS (mm) |     |     |
|-------|-----------------|-----|-----|
|       | A               | B   | C   |
| 150   | 257             | 149 | 225 |
| 200   | 307             | 199 | 275 |
| 250   | 357             | 249 | 325 |
| 300   | 407             | 299 | 375 |
| 350   | 457             | 349 | 425 |

 Halifax House, High Wycombe  
Buckinghamshire, HP12 3SE

 +44 01494 897700

 +44 01494 532465

 [www.monodraught.com](http://www.monodraught.com)

 [info@monodraught.com](mailto:info@monodraught.com)

 Monodraught Ltd

 @MonodraughtLtd

 Monodraught Ltd

 **Monodraught**<sup>®</sup>  
*engineering delivered. naturally*

