



Monodraught are the recognised market leaders in ultra-low carbon, low energy solutions for Natural Ventilation, Natural Cooling and Natural Lighting.

WINDCATCHER[®], **SUNPIPE**[®] and **COOL-PHASE**[®] brands are synonymous with quality and innovation (ISO9001 & 14001) and are supported by our market leading design service.

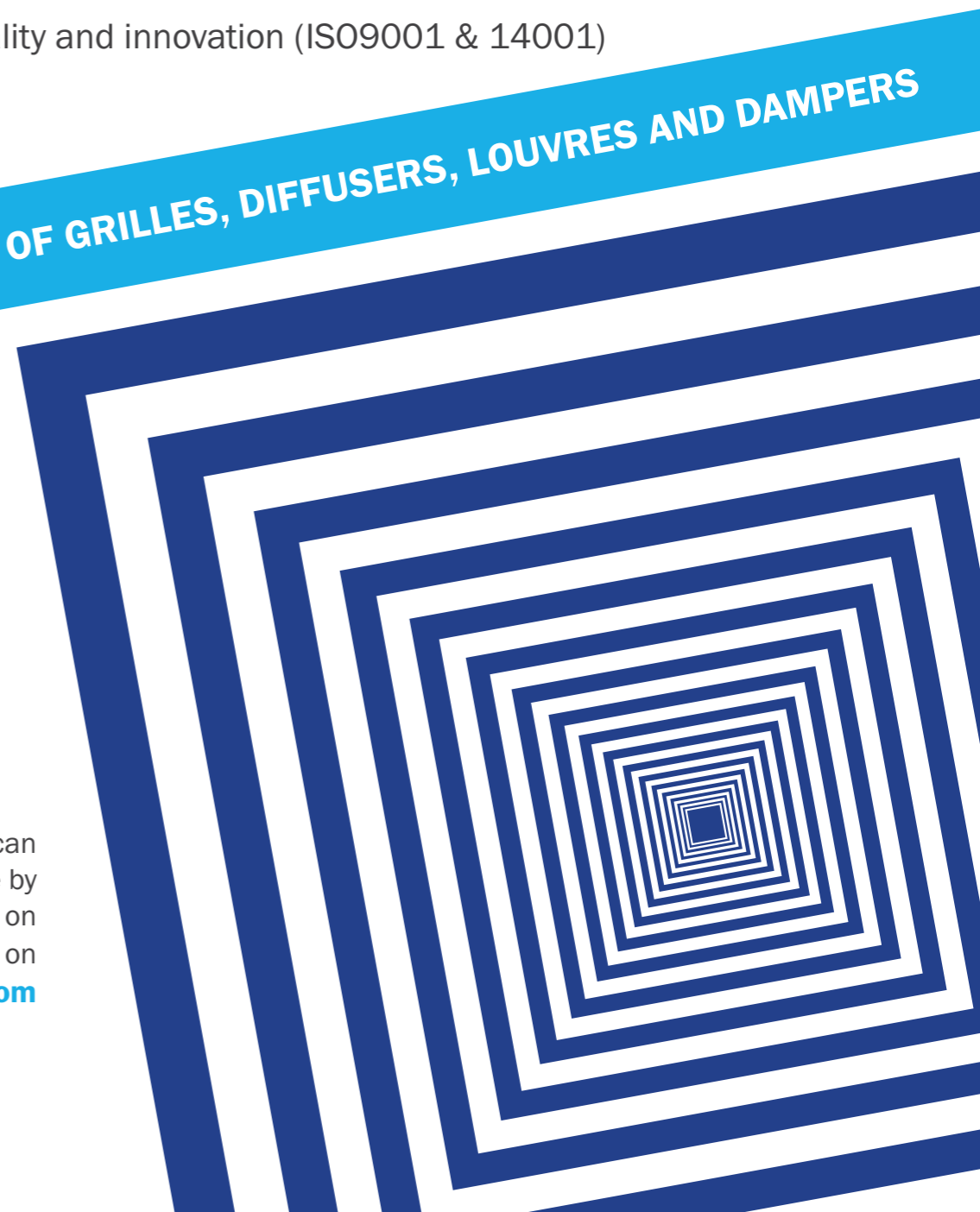
Air-Precision is an addition to Monodraught's portfolio including grilles, diffusers, external louvres and volume control dampers.

PRODUCT RANGE OF GRILLES, DIFFUSERS, LOUVRES AND DAMPERS

We are supporting this range with:

- £1 million of fast moving stock
- Bespoke manufacture with any standard RAL colour within 5 days
- 15 dedicated selection experts
- Designed with industry leading software
- Belimo actuators used throughout
- AA5 anodisation (ISO7599) utilised
- Market leading quality fully supported by a **10 year guarantee**

We are confident that we can beat any quotation you have by 10% so please contact us on **01494897700** or email us on **air-precision@monodraught.com**



Small Format Volume Control Dampers - SF uPVC-VCD



The Series SF uPVC-VCD is a lightweight, corrosion resistant volume control damper designed to be used in smaller sized ductwork.

The highly corrosion resistant construction makes this series of damper perfect for any application in potentially corrosive atmosphere, swimming pools or coastal regions for instance. It also keeps required maintenance to a minimum.

The frame and blades make use of flexible co-extruded blade-tip and side seals, ensuring excellent levels of shut off.

Blades are driven by a set of fully protected gears, hidden outside the airstream to avoid any debris contamination.

Supplied as standard with an ergonomic plastic handle. Locking quadrants or factory fitted actuators are optional.

Materials:

- Extruded rigid uPVC frame and blades
- Stainless steel fixings

Operation:

- Opposed blade, gear driven

Sizes:

- Minimum: 100 mm x 55 mm nominal
- Maximum single unit: 400 mm width, 405 mm height or 405 mm diameter. Above any of these, units would be made in sections or with mullions.

Mass /m² face area:

- 12.5 kg

Free Area:

- 80% maximum

Frame:

- 35 mm flange
- 90 mm overall depth

Options:

Model:

- Model A: Square flanged
- Model B: Square spigotted
- Model C: Circular spigotted
- Model D: Flat oval spigotted

Control:

- "Nothing": Plastic handle
- EX: Extended spindle
- LQ: Locking quadrant
- Actuator: When ordering a spring return actuator, please specify whether you require spring open or spring close operation.

Finish:

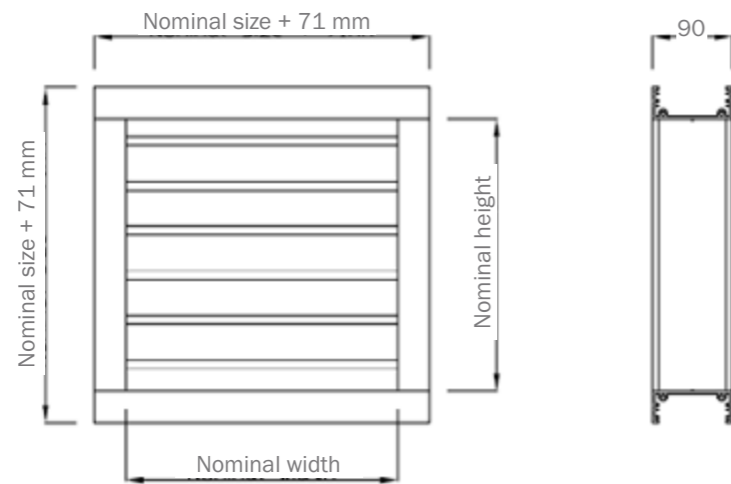
- White uPVC
- Other colours on request. Minimum order quantities would apply.



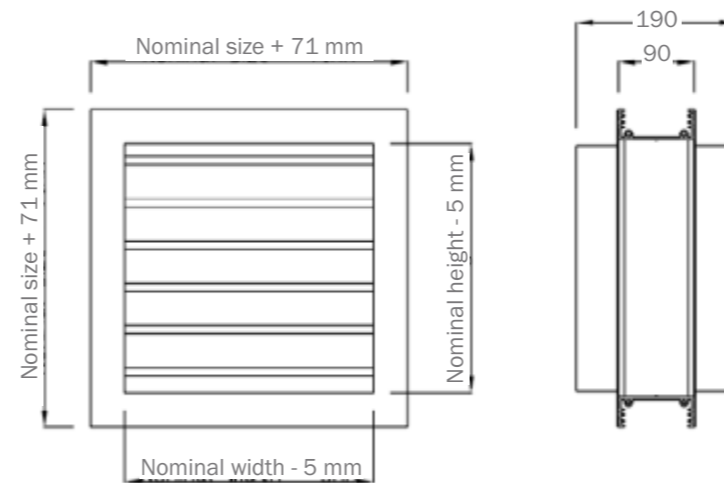
Small Format Volume Control Dampers - SF uPVC-VCD

Technical Drawings:

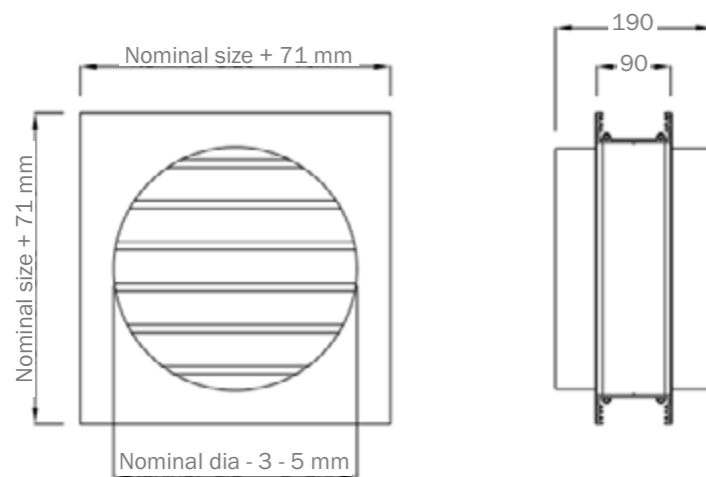
- **Model A: Square flanged**



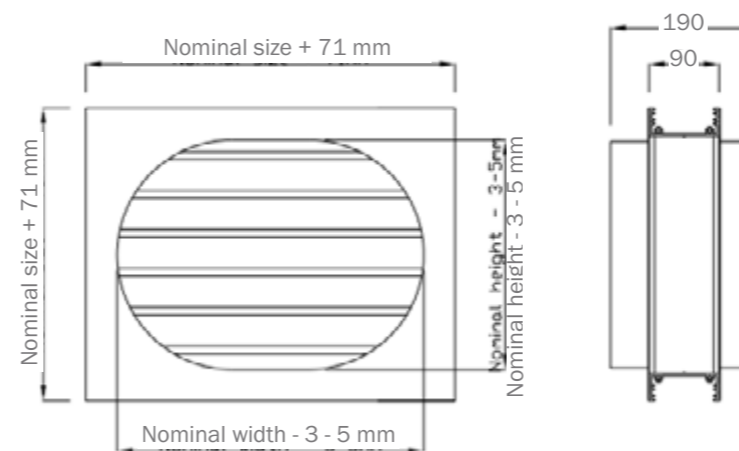
- **Model B: Square spigotted**



- **Model C: Circular spigotted**



- **Model D: Flat oval spigotted**



If nominal sizes exceeds 400 mm wide, 405 mm high or 405 mm diameter, units will either be manufactured in sections or have mullions to divide the blade pack.

Spigots are manufactured from galvanised steel, polyester powder coated white.

Manufacturing Tolerance: + or - 1 mm.

Small Format Volume Control Dampers - SF uPVC-VCD

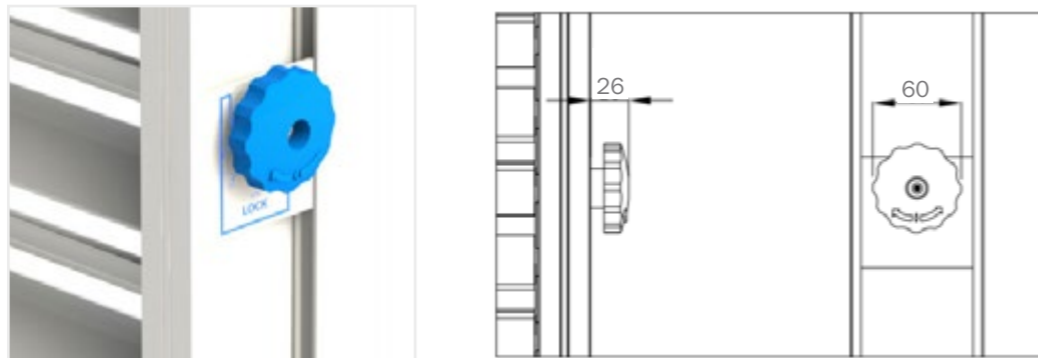
Manual Controls:

Manual Plastic Handles

Standard control method.

The blue nylon handle is ergonomically designed for ease use. An embossed arrow on the handle and a sticker on the handle mounting plate show blade position without needing to look inside the duct.

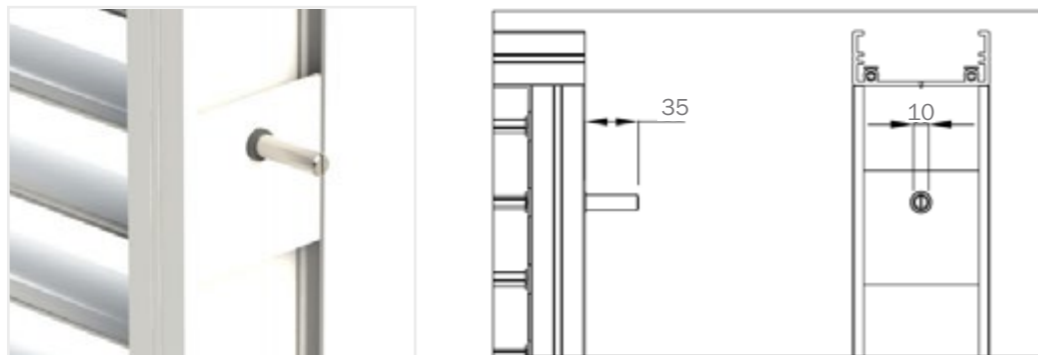
Lockable with a single pozidrive screw in the handle centre (supplied)



Extended Spindle:

Allows fitting of an actuator by others.

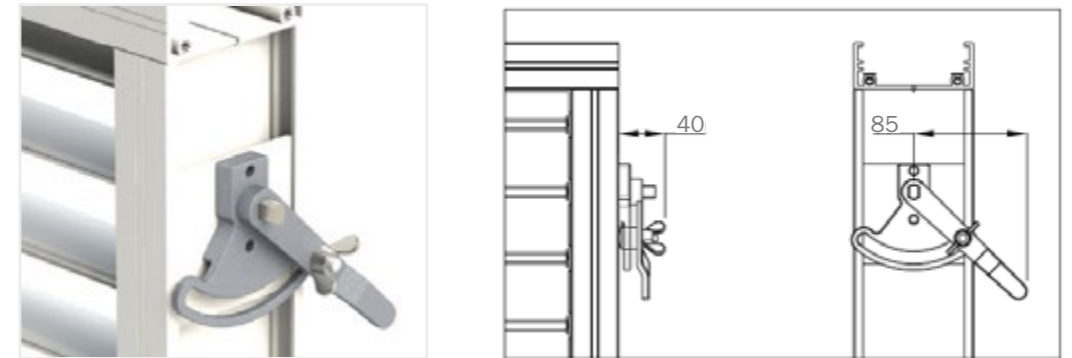
- Stainless steel
- 10 mm diameter
- Extends 35 mm from damper case



Locking Quadrant:

Cast aluminium locking quadrants can be fitted as an alternative to standard plastic handles.

Locking quadrants come with a cast-in position indicator and locking nut.



Actuators:

Monodraught can supply a range of factory fitted electronic and pneumatic actuators with SF uPVC volume control dampers, from manufacturers including:

- **Belimo:** Standard applications
- **Schischek:** Specialist explosion proof actuators
- **Kinetrol:** Pneumatic actuators



Small Format Volume Control Dampers - SF uPVC-VCD

Belimo Actuators:

We recommend the use of Belimo actuators for applications in non-specialist environments.

All actuators are factory fitted and tested to confirm good operation. Other than connection to wiring, no alteration to the actuator is required on site.

Please see the table to find the series of Belimo actuator you require for your application.



Series	Voltage		Action			
	24V	230V*	Power open	Power close	Spring Return	Modulating
LM24A	✓			✓		
LM24A - SR	✓			✓		✓
LM230A		✓		✓		
LM230A - SR		✓		✓		✓
LF24	✓				✓	
LF24 - SR	✓				✓	✓
LF230		✓			✓	

* Suitable for 240V supply.

Schischek explosion-proof actuators

Schischek produce a range of specialist explosion-proof actuators for use in areas with potentially explosive atmospheres; E.G. petro-chemical plants, whisky distilleries and grain silos.

ATEX approved.

All actuators are factory fitted and tested to confirm good operation. Other than connection to wiring, no alteration to the actuator is required on site.

Please contact us for more information on explosion-proof actuators with SF uPVC-VCDs.



Kinetrol pneumatic actuators


We can factory fit SF uPVC-VCDs with Kinetrol's compressed air driven pneumatic actuators. A range of additional options including spring return modules can be fitted to enhance functionality.


ATEX approved.


All actuators are factory fitted and tested to confirm good operation. Other than connection to pneumatic lines, no alteration to the actuator is required on site.


Please contact us for more information on pneumatic actuators with SF uPVC-VCDs.



 Halifax House, High Wycombe
Buckinghamshire, HP12 3SE

 +44 01494 897700

 +44 01494 532465

 www.monodraught.com

 info@monodraught.com

 Monodraught Ltd

 @MonodraughtLtd

 Monodraught Ltd

 **Monodraught**[®]
engineering delivered. naturally

