



Monodraught are the recognised market leaders in ultra-low carbon, low energy solutions for Natural Ventilation, Natural Cooling and Natural Lighting.

WINDCATCHER®, **SUNPIPE®** and **COOL-PHASE®** brands are synonymous with quality and innovation (ISO9001 & 14001) and are supported by our market leading design service.

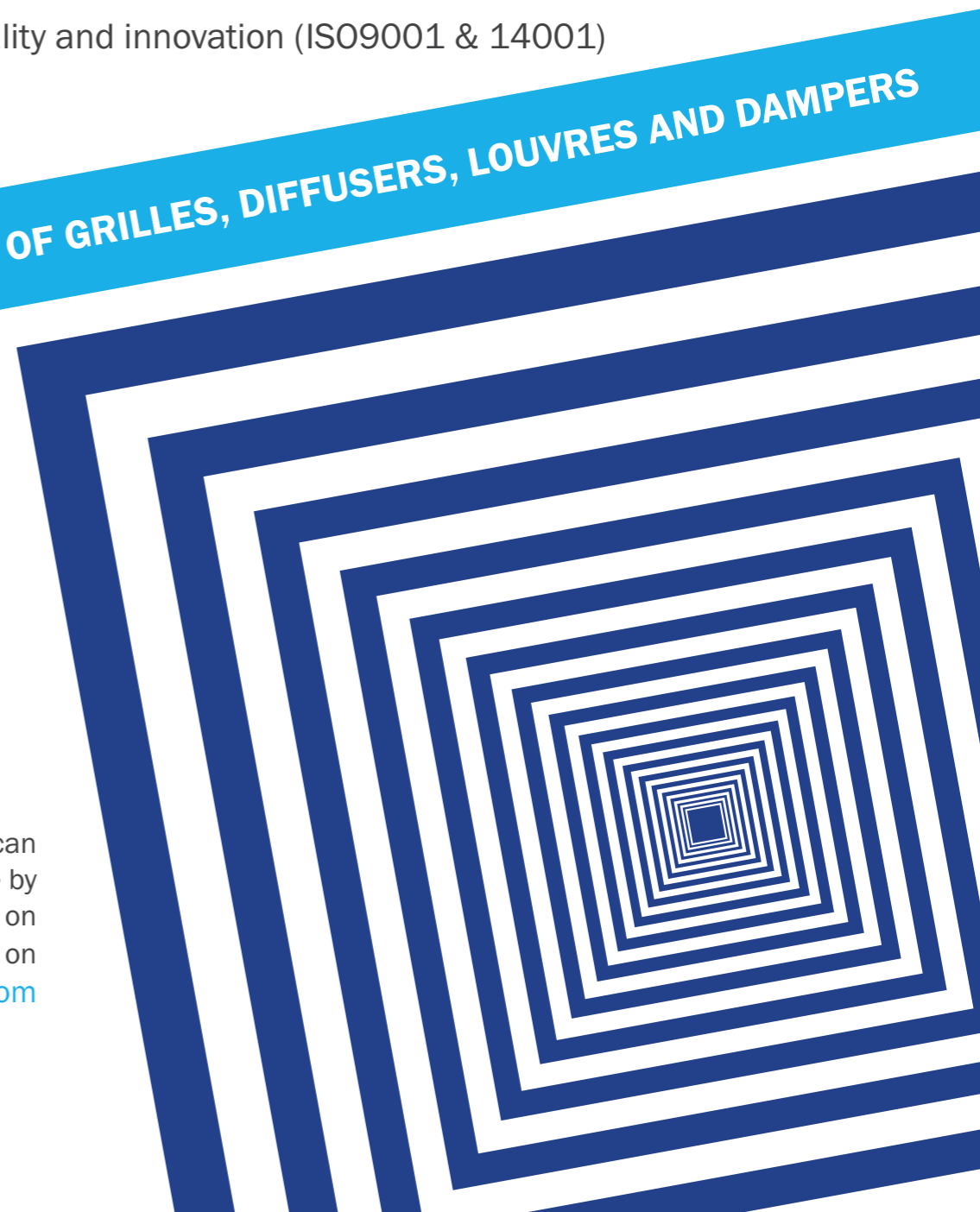
Air-Precision is an addition to Monodraught's portfolio including grilles, diffusers, external louvres and volume control dampers.

PRODUCT RANGE OF GRILLES, DIFFUSERS, LOUVRES AND DAMPERS

We are supporting this range with:

- £1 million of fast moving stock
- Bespoke manufacture with any standard RAL colour within 5 days
- 15 dedicated selection experts
- Designed with industry leading software
- Belimo actuators used throughout
- AA5 anodisation (ISO7599) utilised
- Market leading quality fully supported by a **10 year guarantee**

We are confident that we can beat any quotation you have by 10% so please contact us on **01494897700** or email us on air-precision@monodraught.com



Swirl Fixed Diffusers - SWF



Series SW swirl diffusers are very effective supply units, designed to be mounted into a lay-in grid system.

SWF fixed blade swirls are manufactured from a single sheet of steel, sized 595 mm x 595 mm overall, with four different core sizes to suit all airflow requirements.

These can be factory fitted with plenum boxes, which also have a range of options including acoustic / thermal lining and spigot mounted single blade volume control dampers.

Materials:

- Steel

Blades:

- Straight edge, fixed

Overall Size:

- 595 mm x 595 mm
- Suitable for lay in ceilings

Core Diameters:

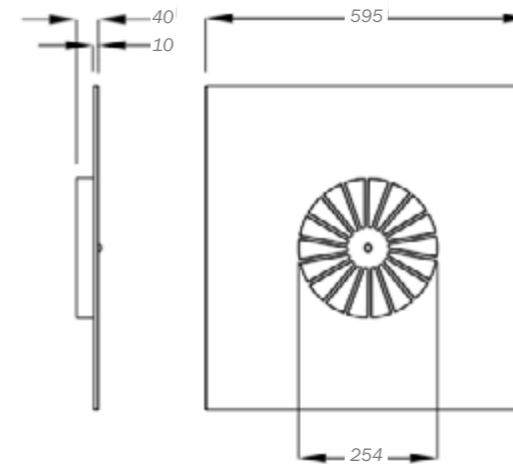
- 254, 356, 457 and 535 mm

Mass / Unit:

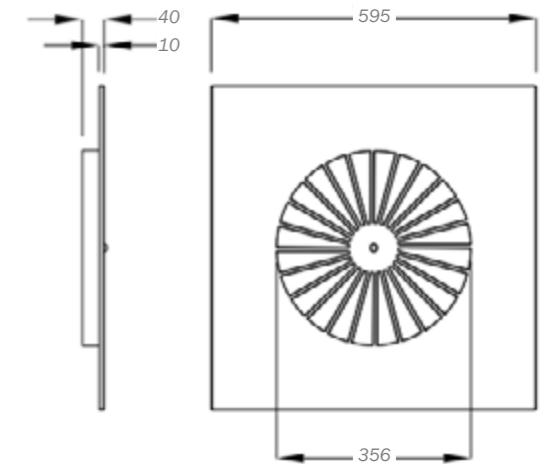
- 3.5 kg

Technical Drawings:

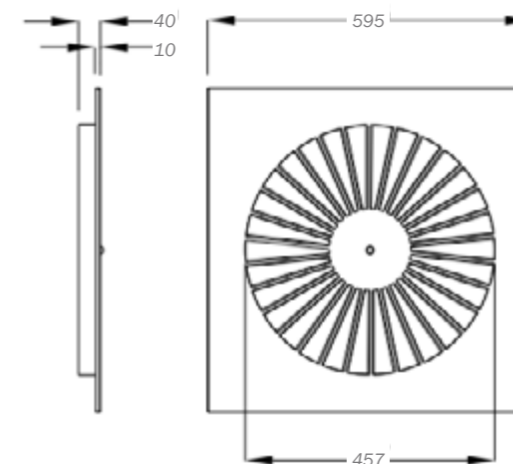
- SWF 254 Ø



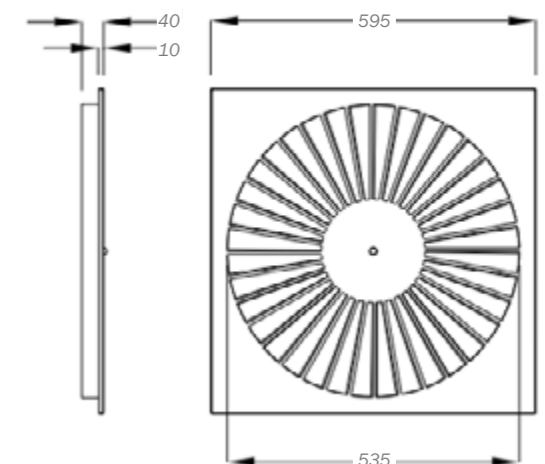
- SWF 356 Ø



- SWF 456 Ø



- SWF 535 Ø



Swirl Fixed Diffusers - SWF

Plenums:

Swirl diffusers are normally supplied factory fitted with plenum boxes to facilitate connection to ductwork.

Boxes are fitted with an internal runner holding a nutsert, a long bolt (supplied by Monodraught) is fitted through a hole in the centre of the swirl diffuser, and screwed into the nutsert.

By tightening the bolt, the swirl is pulled up securely to the box.

Plenums are available with the following range of options:


- Series SBD single blade volume control dampers mounted in the box spigot
- Internal acoustic lining
- Matt black internals





Finish:


- RAL: Polyester powder coated to RAL
- BS: Polyester powder coated to BS



 Halifax House, High Wycombe
Buckinghamshire, HP12 3SE


 +44 01494 897700

 +44 01494 532465

 www.monodraught.com

 info@monodraught.com

 Monodraught Ltd

 @MonodraughtLtd

 Monodraught Ltd

 **Monodraught**[®]
engineering delivered. naturally

