



Controls by Monodraught

Wall Controllers

WINDCATCHER (IN0001 & IN0002)

The WINDCATCHER® Controller is designed to be mounted in a zone containing Natural Ventilation products with controllable dampers, like WINDCATCHER® X-AIR among others.

The WINDCATCHER Controller provides temperature local override control along with temperature sensing and even CO₂ measurement on the IN0002 variant, all encoded onto a single 0 - 10V analogue output. Overrides are timed and configurable at time of commissioning to 20 minutes, 1 hour or 3 hours. The CO₂ sensor in the IN0002 version features an Automatic Background Calibration which will recalibrate the sensor back to a background level during unoccupied periods to cancel sensor drift and maintain accuracy over the typical product lifespan. The unit is particularly suitable for applications requiring demand controlled ventilation and is recommended for use with Monodraught iNvent 2 or third party BMS systems.

SOLA-BOOST (IN0003 & IN0004)

The SOLA-BOOST® Controller is designed to be mounted in a zone containing Monodraught SOLA-BOOST systems and needs to be used with the correct PowerTrack unit: IN0020 Standard, IN0021 Master, IN0060 Standard X-AIR or IN0061 Master X-AIR.

The SOLA-BOOST Controller provides temperature local override control along with temperature sensing and even CO₂ measurement on the IN0004 variant all communicated over the bespoke RS-485 Communications to the PowerTrack and then encoded onto a single 0 - 10V analogue output. Overrides are timed and configurable at time of commissioning to 20 minutes, 1 hour or 3 hours. The CO₂ sensor in the IN0004 version features an Automatic Background Calibration which will recalibrate the sensor back to a background level during unoccupied periods to cancel sensor drift and maintain accuracy over the typical product lifespan. The unit is particularly suitable for applications requiring demand controlled ventilation and is recommended for use with Monodraught iNvent 2 or third party BMS systems.



Technical Details

Material

- Enclosure moulded in flame retardant PC/ABS

Operating Conditions:

- 10 - 40°C
- 10 - 80% RH non-condensing

Mounting

- To be wall mounted 1.2 - 2.1 m from floor, out of direct sunlight

Power Supply

- 24V DC @ 18mA Nominal

Dimensions

- 100 mm x 150 mm x 40 mm

Terminals

- Cable size 1 mm² maximum
- Cable size 0.5 mm² multi-strand recommended

WINDCATCHER Controller



Technical Details

Material

- Enclosure moulded in flame retardant PC/ABS

Operating Conditions:

- 10 - 40°C
- 10 - 80% RH non-condensing

Mounting

- To be wall mounted 1.2 - 2.1 m from floor, out of direct sunlight

Power Supply

- 24V DC @ 18mA Nominal

Dimensions

- 100 mm x 150 mm x 40 mm

Terminals

- RJ45 Socket for Straight wired CAT5e Patch lead to the Powertrack Unit

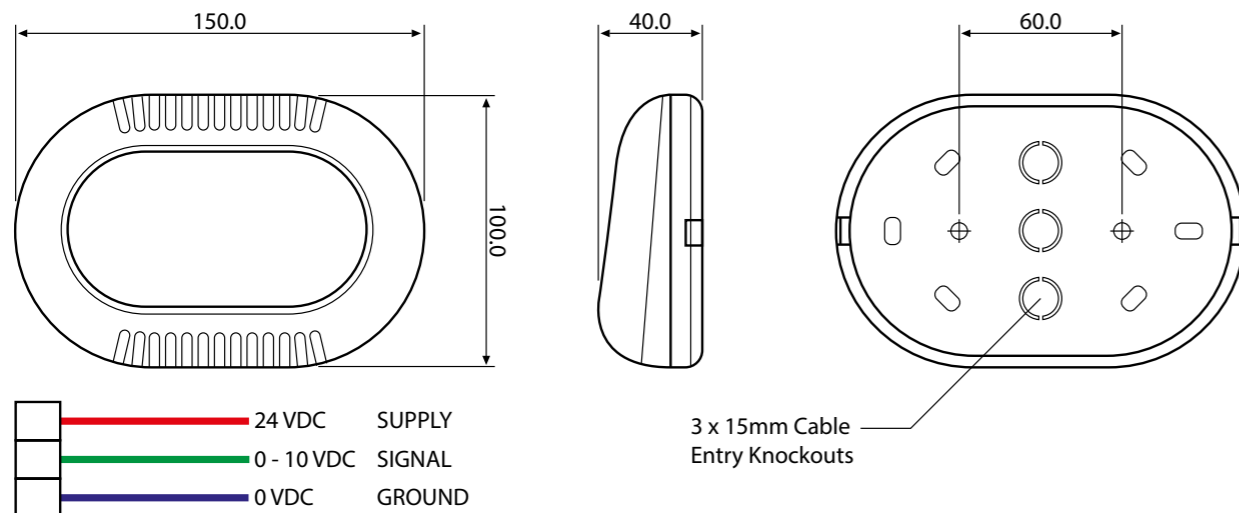
SOLA-BOOST Controller



Outputs

Output	Voltage Range	Measured Range	Accuracy
Temperature	0 - 10V	10 - 29°C	+/- 1°C
CO ₂	8.6 - 9.2V	Threshold Breached	+/- 100 ppm
Override Open	9.2 - 10V	Timed Button	N/A
Override Closed	0 - 0.5V	Timed Button	N/A

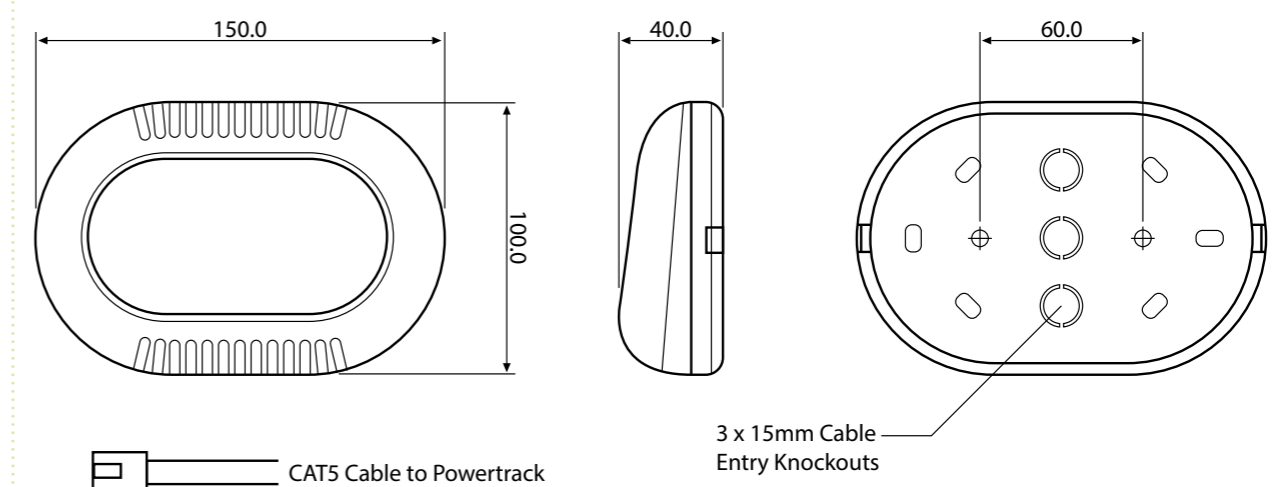
Dimensions [mm]





Powertrack Output Based on Wall Controller Information


Output	Voltage Range	Measured Range	Accuracy
Temperature	0 - 10V	10 - 29°C	+/- 1°C
CO ₂	8.6 - 9.2V	Threshold Breached	+/- 100 ppm
Override Open	9.2 - 10V	Timed Button	N/A
Override Closed	0 - 0.5V	Timed Button	N/A

Dimensions [mm]



 Halifax House, High Wycombe
Buckinghamshire, HP12 3SE


 +44 01494 897700

 +44 01494 532465

 www.monodraught.com

 info@monodraught.com

 Monodraught Ltd

 @MonodraughtLtd

 Monodraught Ltd