

Contact Pin $\Phi 4.0\text{mm}$

	PART NO: C40P1010S001 $\Phi 4.0\text{ mm}$ panel-end male
	PART NO: C40P201RS001 $\Phi 4.0\text{ mm}$ panel-end female
	PART NO: C40C1010S001 $\Phi 4.0\text{ mm}$ cable-end male
	PART NO: C40C201RS001 $\Phi 4.0\text{ mm}$ cable-end female
	PART NO: C40M1010S001 $\Phi 4.0\text{ mm}$ 80A cable-end male
	PART NO: C40M201RS001 $\Phi 4.0\text{ mm}$ 80A cable-end female

Connect Green Energy to You

Key Features

- ✓ **High Performance**
 - Contact Resistance below $0.2\text{m}\Omega$
 - Handles current upto 30A
 - Handles heavy trunk current (80A type only)
- ✓ **Safety**
 - TUV and UL standard
 - Slight heat raising at rated current
 - IP67 water proof
 - UL94-V0 flame proof
 - Strong pulling force capability
- ✓ **Full Series**
 - Compliant to MC[†] $\Phi 4.0\text{mm}$ solar connectors
 - Male and female gender
- ✓ **Warranty**
 - 20 years

Product Features

Electrical Data and Safety	
Rated Current	30A, 80A [‡]
Rated Voltage	1000Vdc (TUV), 600Vdc (UL)
Contact Resistance	$\leq 0.2\text{m}\Omega$
Fit Protection Class	II
Flame Class	UL94-V0
Application Class	A
IP Code, Water Proof	IP67
Operation Temperature	-40 deg. C to +90 deg. C
Options	
Pin Type	Stamping pin, lathing pin
Pin Dimension	$\Phi 4.0\text{ mm}$
Connector Gender	Male, Female
Connector Keying	N/A
Connector Type	Cable-end, Panel-end(30A type only)

Mechanical Data	
Plastic Housing	PPO+PA
Metal Pin	Tin plated Copper
Fit to Cable	2.5mm^2 , 4.0mm^2 , 6.0mm^2 , 10.0mm^2
Insertion Force	$\leq 50\text{N}$
Withdraw Force	$\geq 50\text{N}$
Standards	
TUV	R50199504
UL	
Others	
Compatible Brand	MC [†]

[†] MC is a trade mark of Multi-Contact AG

[‡] For 80A type only.



SPECIFICATION SUBJECT CHANGE WITHOUT NOTICE

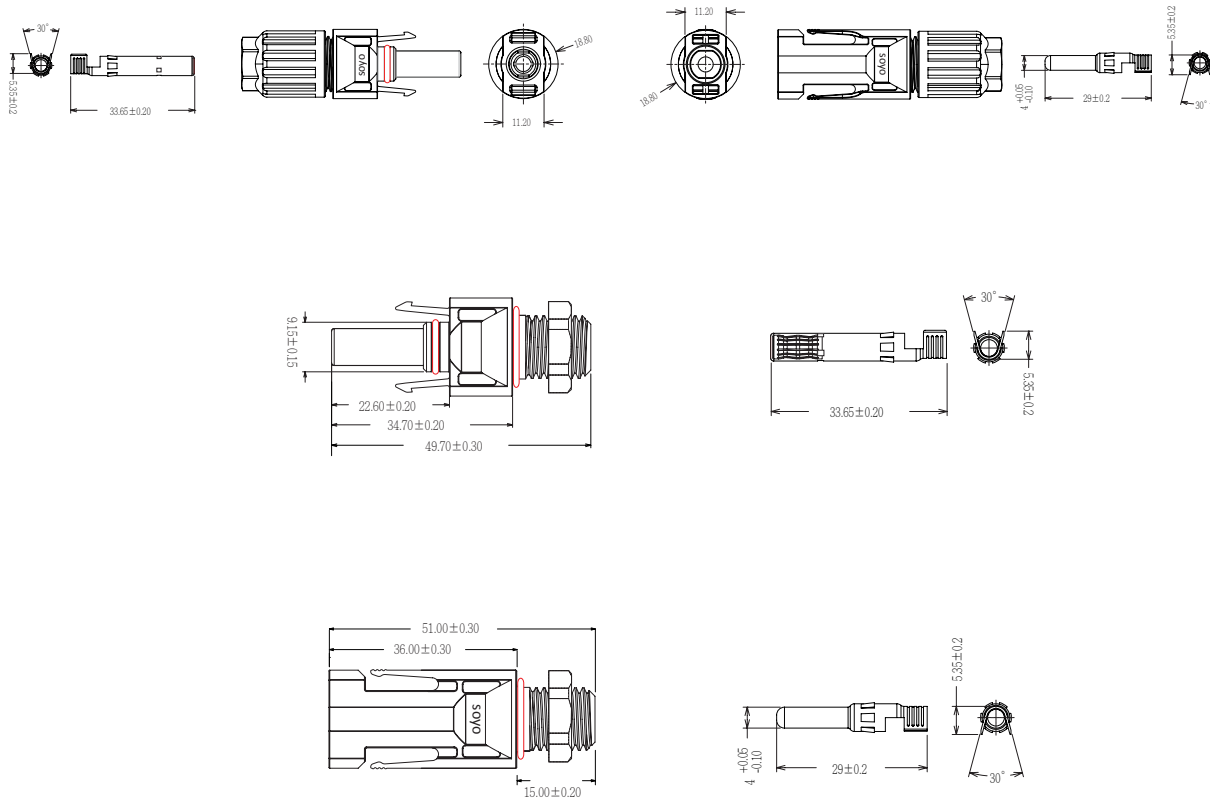


17Klm Spata Ave, 15351, Pallini, Greece
T. +302106030221, 6944262902
E. georgios@noratex.gr
W. www.noratex.gr



Connect Green Energy to You

Drawings



Company overview

Soyo Link has been established in 2010. Major business is to provide own designed facilities and accessories for renewable energy industry. Coyo Link has been dedicated in solar field since 2007, been enjoying high reputation in solar connectors and cable assemblies.

Soyo Link Energy is located at Taiwan, next to Taoyuan airport, focuses in marketing sales and electronic unit design. Soyo Link-A is located at China, in charge of mechanical unit design and materials logistics for production. "Connect Green Energy to You" is the goal.

The core members of operation, sales, R&D and logistic teams own 4 years+ experiences in solar energy field.

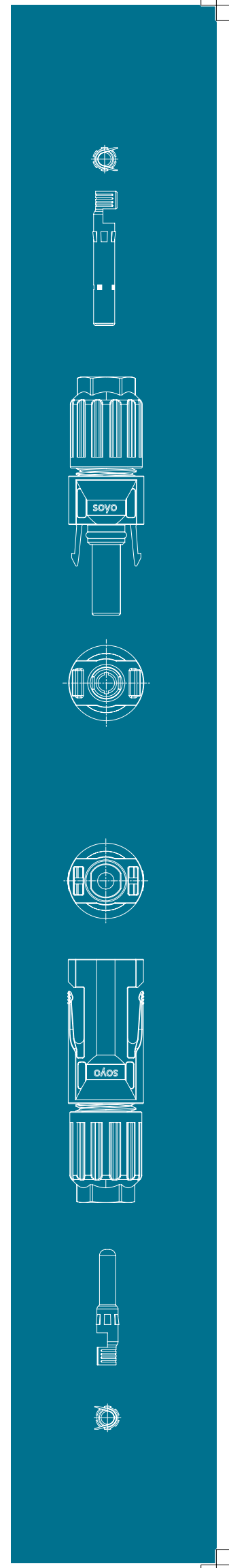
Soyo Link provides products for solar industry as below

- Solar panel status monitoring unit
- Maximum power point tracking unit (StringMax)
- MPPT & Monitoring unit
- Other electronic units

and other UL / TUV approved mechanical accessories, including

- Connectors
- Junction boxes
- Branch connectors
- Blocking adaptor
- Cable molding/cable assemblies
- Other mechanical products

Believe that Soyo Link can be one of your best business partners. Let Soyo Link backup you to successes.



Zertifikat

Certificate



Zertifikat Nr. Certificate No.
R 50199504

Blatt Page
0002

Ihr Zeichen Client Reference
Lee Tien Tsai

Unser Zeichen Our Reference
05-TMY- 16024401 002

Ausstellungsdatum
17.11.2011

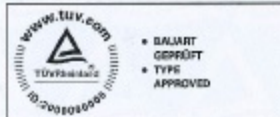
Date of Issue
(day/month/year)

Genehmigungsinhaber License Holder
Soyo Link Energy Co., Ltd.
11F-3,
No. 202, Sec. 1, Nankan Rd.,
Luzhu Township, Taoyuan County
33859
Taiwan

Fertigungsstätte Manufacturing Plant
Professional Precision (China) Ltd.
Henan Industrial Zone
Jinxia Village, Chang An Town
Dongguan, Guangdong
P.R. China

Prüfzeichen Test Mark

Geprüft nach Tested acc. to
EN 50521:2008



Zertifiziertes Produkt (Geräteidentifikation)
Certified Product (Product Identification)

Lizenzentgelte - Einheit
License Fee - Unit

Steckverbinder (Connector for Photovoltaic Systems)

as page 0001

Addition

Type Designation : C24 female+(for 2.5mm²) ; 15
C24 male+(for 2.5mm²) ;
C24 female-(for 2.5mm²) ;
C24 male-(for 2.5mm²) ;
C24 neutral_male(for 2.5mm²) ;
C24 female+(for 4.0mm²) ;
C24 male+(for 4.0mm²) ;
C24 female-(for 4.0mm²) ;
C24 male-(for 4.0mm²) ;
C30(for 2.5mm²) ; C30(for 4.0mm²) ;
C24 neutral_male(for 4.0mm²) ;
C40(for 2.5mm²) ; C40(for 4.0mm²)

Continued on page 0003

15

Das Zertifikat liegt unsere Prüf- und Zertifizierungsordnung zugrunde und es bestätigt die Konformität des Produktes mit den oben genannten Standards und Prüfgrundlagen. Zusätzliche Anforderungen in Ländern, in denen das Produkt in Verkehr gebracht werden soll, müssen zusätzlich betrachtet werden. Die Herstellung des zertifizierten Produktes wird überwacht.

This certificate is based on our Testing and Certification Regulation and states the conformity of the product with the standards and testing requirements as indicated above. Any additional requirements in countries where the product is going to be marketed have to be considered additionally. The manufacturing of the certified product is subject to surveillance.

TÜV Rheinland LGA Products GmbH - Tillystraße 2 - 90431 Nürnberg
Tel.: (+49/221)8 06 - 13 71 e-mail: cert-validity@de.tuv.com
Fax: (+49/221)8 06 - 39 35 http://www.tuv.com/safety

Zertifizierungsstelle



Dipl.-Ing. Bernd Schierer

Zertifikat

Certificate



Zertifikat Nr. *Certificate No.*
R 50199504

Blatt *Page*
0003

Ihr Zeichen *Client Reference*
Lee Tien Tsai

Unser Zeichen *Our Reference*
05-TMY- 16024401 002

Ausstellungsdatum
17.11.2011

Date of Issue
(day/mo/yr)

Genehmigungsinhaber *License Holder*

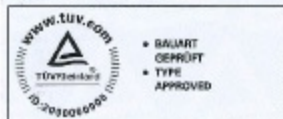
Soyo Link Energy Co., Ltd.
11F-3,
No. 202, Sec. 1, Nankan Rd.,
LUZHU Township, Taoyuan County
33859
Taiwan

Fertigungsstätte *Manufacturing Plant*

Professional Precision (China) Ltd.
Henan Industrial Zone
Jinxia Village, Chang An Town
Dongguan, Guangdong
P.R. China

Prüfzeichen *Test Mark*

Geprüft nach *Tested acc. to*
EN 50521:2008



Zertifiziertes Produkt *(Geräteidentifikation)*
Certified Product (Product Identification)

Lizenzentgelte - Einheit
License Fee - Unit

Steckverbinder *(Connector for Photovoltaic Systems)*

as page 0001

(continuation)

Upper Limit Temperature: 100 °C

Cross Section Range : 1 x 2,5mm² or 1 x 4,0mm²
(see Appendix 1.1 for details)

Remark: The labelling requirements acc. to EU Directive 2011/95 have to be observed for distribution within the ERA.

ANLAGE *(Appendix): 1.1*

*Das Zertifikat liegt unsere Prüf- und Zertifizierungsordnung zugrunde und es bestätigt die Konformität des Produktes mit den oben genannten Standards und Prüfgrundlagen. Zusätzliche Anforderungen in Ländern, in denen das Produkt in Verkehr gebracht werden soll, müssen zusätzlich beachtet werden. Die Herstellung des zertifizierten Produktes wird überwacht.
This certificate is based on our Testing and Certification Regulation and states the conformity of the product with the standards and testing requirements as indicated above. Any additional requirements in countries where the product is going to be marketed have to be considered additionally. The manufacturing of the certified product is subject to surveillance.*

TÜV Rheinland LGA Products GmbH - Tillystraße 2 - 90431 Nürnberg
Tel.: (+49/221)8 06 - 13 71 e-mail: cert_validity@de.tuv.com
Fax: (+49/221)8 06 - 39 35 <http://www.tuv.com/safety>



Dipl.-Ing. Bernd Scheerer