

Restwell Manhattan

Massage Chair (MC005) Owner's Handbook

CONTENTS

1. Introduction
2. Parts Description
3. Personal Safety
4. Installation Instructions
5. Massage Function
6. Care and Maintenance
7. Specification
8. Troubleshooting
9. Fair Wear and Tear Policy
10. Warranty

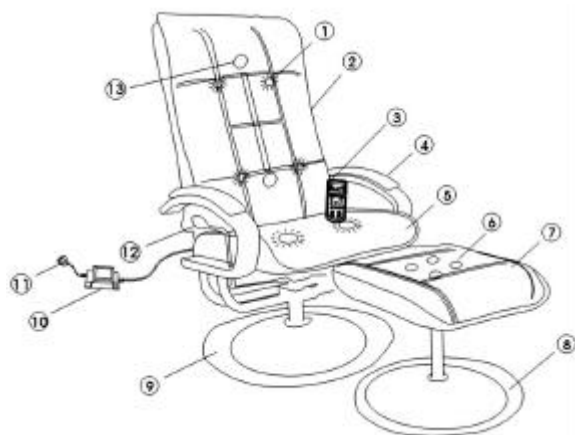
INTRODUCTION

The Restwell range of massage armchairs is designed to be comfortable and stylish whilst offering excellent value for money.

The armchairs come in a variety of fabrics and styles to suit most decors, and are made to the highest quality and are CE marked. The weight limit for the armchair is 21 stone (136kg).

Restwell is a brand of Medicare Technology. Medicare Technology is an ISO 9001 certified company. For more details about our products please see your local stockist.

PARTS DESCRIPTION

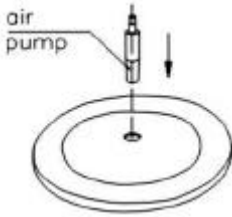


1. Vibrating massage motor
2. Backrest
3. Hand control
4. Arm pad
5. Chair seat
6. Kneading massage motor
7. Footstool cushion
8. Footstool base
9. Chair base
10. Transformer
11. 13A plug
12. Recline lever
13. Rotating shiatsu massage motor

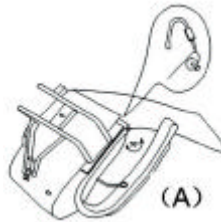
PERSONAL SAFETY

- Ensure that only Medicare parts are used on the armchair. Periodically visually inspect the handset and power cord for signs of wear, chafing or cracks.
- When reclining the armchair, ensure that you will not collide with anybody behind you. Please ensure that no children or pets are underneath the armchair before operating the recline mechanism.
- Carelessness Causes Fire. Caution should be taken to avoid fire. Please ensure that all cigarettes and matches are properly extinguished. Please be careful of other fire hazards such electric and gas fires, etc nearby.
- The weight limit on the armchair is 21 stone (136 kg). Please ensure that only one person uses the massage chair at any one time.
- Do not use the massage chair in dusty, humid or damp environments as this could affect the electrical and mechanical parts of the armchair. The armchair may also be sensitive to temperature changes. If possible, try to gradually change the environment temperature. If this is not possible, do not use the armchair for the first hour after the temperature change.
- Be careful with the cables on the massage chair. When plugging/unplugging parts, always grip the connectors (not the cables). Ensure that cables are free, not taut or wound around, and that there is no risk of cables being caught, snagged or chafed.
- Keep your body relaxed during the massage. If you require a more gentle massage place a blanket or towel on the chair behind you.
- Please consult your doctor before using the massage chair if you are convalescing, pregnant or have any of the following conditions:
 - Malignant tumour(s)
 - Heart disease
 - High fever
- If you suffer from any abnormal and/or serious pains when using the massage chair, switch off the massage function and consult your doctor.
- If any of the following occur, switch off the massage chair and remove the power supply from the mains:
 - The massage chair does not work or has got wet.
 - The fabric of the massage chair is damaged and parts are exposed.

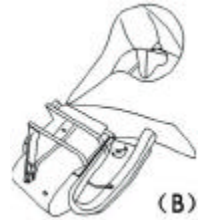
INSTALLATION INSTRUCTIONS



1. Insert the air pump in to the centre of the chair base.



2. Tighten the bolts on both sides of the chair and link the 2 connectors.



3. Cover the 2 sections with the fabric flaps.



4. Attach the fabric flap to cover the mechanism.



5. Zip up the two sections of the chair.

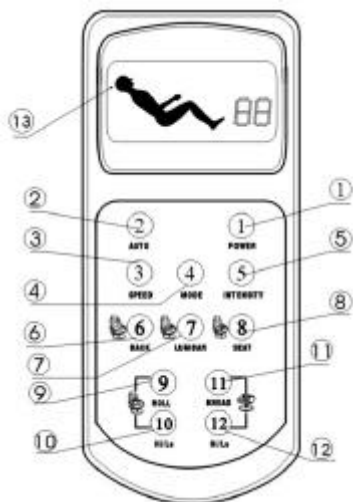


6. Position the chair on to the air pump in the chair base.



7. Connect the cables on the footstool to the cable on the chair. Connect the transformer to the connector on the backrest of the chair.

MESSAGE FUNCTIONS



1. Power On / Off
2. Automatic (3 modes)
3. Vibration Speed (3 settings)
4. Vibration Mode (3 modes)
5. Vibration Intensity (3 settings)
6. Back Vibration Massage
7. Lumbar Vibration Massage
8. Seat Vibration Massage
9. Backrest Roller Massage
10. High/Low Speed (of backrest roller)
11. Footstool Knead Massage
12. High/Low Speed (of footstool knead)
13. LCD Display

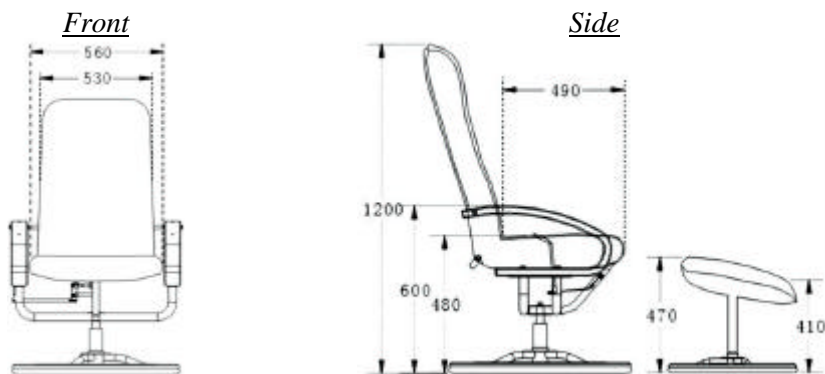
To operate the Massage function:

- Press the ON / OFF (1) key to switch the massage unit on. Press the ON / OFF key again to switch off the unit.
- Press the AUTO (2) key to start and stop the the massage programme from automatically changing.
- Press the SPEED (3) key to adjust the speed of the massage vibrations.
- Press the MODE (4) key to adjust the mode of the massage vibrations.
- Press the INTENSITY (5) key to adjust the vibration massage intensity.
- Press the BACK (6) key to start and stop back vibration massage.
- Press the LUMBAR (7) key to start and stop lumbar vibration massage.
- Press the SEAT (8) key to start and stop seat vibration massage.
- Press the ROLL (9) key to start and stop the backrest massage roller.
- Press the HI/LO (10) key to adjust the speed of the backrest roller.
- Press the KNEAD (11) key to start and stop the footstool massage kneader.
- Press the HI/LO (12) key to adjust the speed of the footstool kneader.
- The LCD display (13) shows the status of the massage chair.

CARE AND MAINTENANCE

- Storage:
 - Keep the massage chair dry and clean. Use a dustsheet to protect the massage chair if it will not be used for a long period.
 - Do not expose the chair to strong sunlight or high temperatures, as this could cause the fabric to fade.
 - When not in use, switch the massage unit off and disconnect from the mains.
 - Do not put any heavy articles on to the armrest or footstool as this could damage the armchair and/or cause it to become unstable.
- Cleaning
 - Do not rub the surface of the chair with hard or coarse objects.
 - The wooden parts of the chair may be cleaned with a duster or dry cloth. Polish should not be used as this can cause abrasion of the wood.
 - Use a damp cloth with mild detergent to clean the fabric upholstery and steel frame. Then wipe with a dry cloth. Do not use detergents containing alcohol (such as benzene) as this could damage the fabric.
 - Only use dry cloth to wipe the handset.

SPECIFICATION



All dimensions are in millimetres. The backrest will recline up to 45°.

The fabric is leather effect PVC.

TROUBLESHOOTING

Consult the following if the armchair malfunctions or cannot be used. If the problem cannot be remedied do not attempt any repairs as this could cause damage or injury and may invalidate your warranty.

Symptom	Cause	Possible Solution
<i>Noisy operation</i>	<i>Noise occurs during use. Noise from motors, especially when no one is sat in the chair.</i>	<i>These are normal sounds during operation. Possibly from friction between the massager and the upholstery</i>
<i>The chair will not switch on</i>	<i>No power. Loose or missing connection.</i>	<i>Check the power is on. Check the PSU is fully in the mains socket. Check the handset is connected.</i>
<i>Footstool</i>	<i>Footstool will not vibrate</i>	<i>Check footstool is connected to chair</i>

FAIR WEAR AND TEAR POLCIY

Your new armchair is covered by the warranty below. Please note however this warranty does not include:

- *Damage from misuse, and use over the specified weight limit.*
- *Material fading over time or through sunlight.*
- *Damage from spills or leaks.*
- *Collision damage (rubbing against walls, etc)*
- *Accidental tears and damage*
- *Cigarette and match burns*

WARRANTY

Your Restwell massage armchair comes with a comprehensive twelve-month warranty. For warranty issues and claims please contact your Restwell stockist. The warranty conditions are below:

1. Any work or replacement part installation must be carried out by an authorised Medicare Technology dealer / service agent.
2. To apply the warranty should your armchair require attention please contact the your Medicare Technology dealer / service agent.
3. Should any part of the armchair require repair or full or part replacement as a result of a manufacturing or material defect within twelve months of receiving the armchair, parts will be supplied free of charge.
Note: The guarantee is not transferable
4. Any repaired or replaced parts will be covered by this warranty for the balance of the warranty period on the armchair.
5. Parts replaced after the original warranty has expired will be covered by a three-month warranty.
6. Consumable items supplied will not generally be covered during the normal warranty period unless such items require repair or replacement clearly as a direct result of a manufacturing or material defect.
Such items include (among others): upholstery, batteries
7. The above warranty conditions apply to brand new chairs. Chairs supplied as secondhand by Medicare Technology generally carry a six-month warranty. If you are unsure whether your chair is covered, check with the service agent / dealer.
8. Under normal circumstances, no responsibility will be accepted where the armchair has required assistance as a direct result of:
 - a) The armchair part not having been maintained in accordance with the manufacturer's recommendations.
 - b) Failure to use the manufacturer's specified parts
 - c) The armchair or part having been damaged due to neglect, accident or improper use
 - d) The armchair or part having been altered from the manufacturer's specifications or repairs having been attempted before the service agent / dealer is notified.

In the event of your armchair requiring attention, please contact your service agent / dealer and give all relevant details so they can act quickly. Please contact Medicare Technology for advice if you do not know where the armchair was originally purchased from.

The manufacturer reserves the right to alter without notice any weights, measurements or other technical data shown in this manual. All figures, measurements and capacities shown in this manual are approximate and do not constitute specifications.

NOTES AND ADDITIONS