

# RELAXER ARMCHAIR

## Assembly Instructions

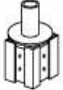















(Covers Model ARC-1005)



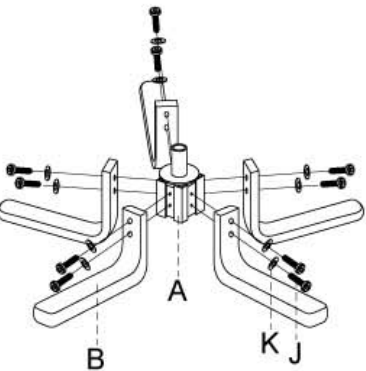
**RESTWELL, Drive Medical Ltd,  
Ainley's Industrial Estate, Elland, GB HX5 9JP  
Tel: +44 (0) 1422 314488  
Email: [enquiries@drivemedical.co.uk](mailto:enquiries@drivemedical.co.uk)**

# ASSEMBLY INSTRUCTIONS

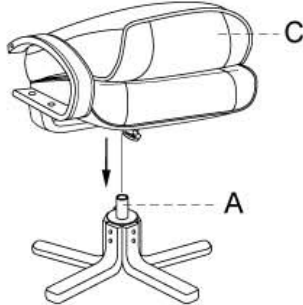
Remove all the parts from carton, separate them into part numbers indicated on the list and make sure part quantities are correct.

PARTS LIST														
A		x1	D		x1	G		x4	J		x18	M		x4
B		x5	E		x1	H		x1	K		x18	N		x2
C		x1	F		x4	I		x1	L		x8	O		x2
												P		x2


**STEP 1.**



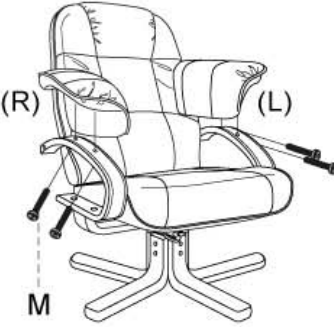
**STEP 2.**



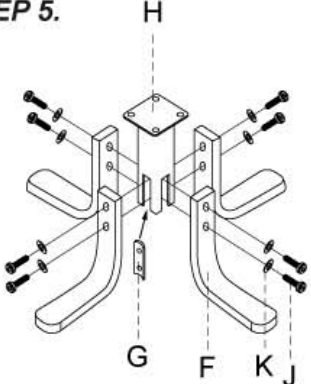
**STEP 3.**



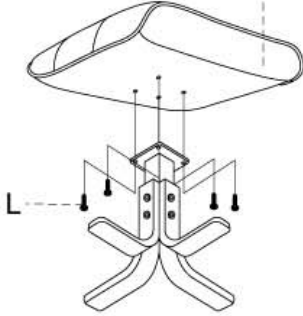
**STEP 4.**



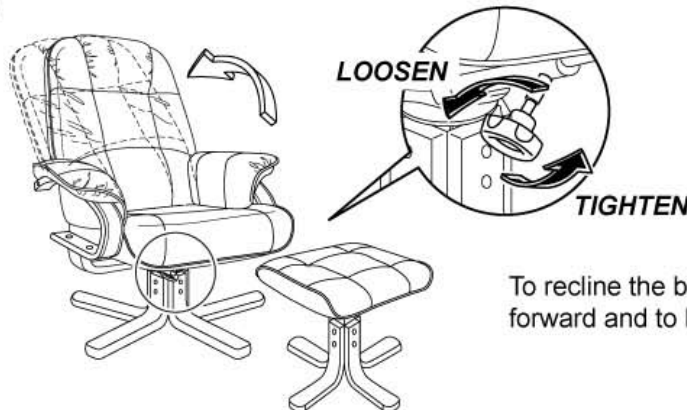
**STEP 5.**



**STEP 6.**



## OPERATION



To recline the back by turning knob forward and to lock it return.