

Restwell Massage Chair (MC003) Owner's Handbook

CONTENTS

1. Introduction
2. Parts Description
3. Personal Safety
4. Installation Instructions
5. Massage Function
6. Care and Maintenance
7. Specification
8. Troubleshooting
9. Fair Wear and Tear Policy
10. Warranty

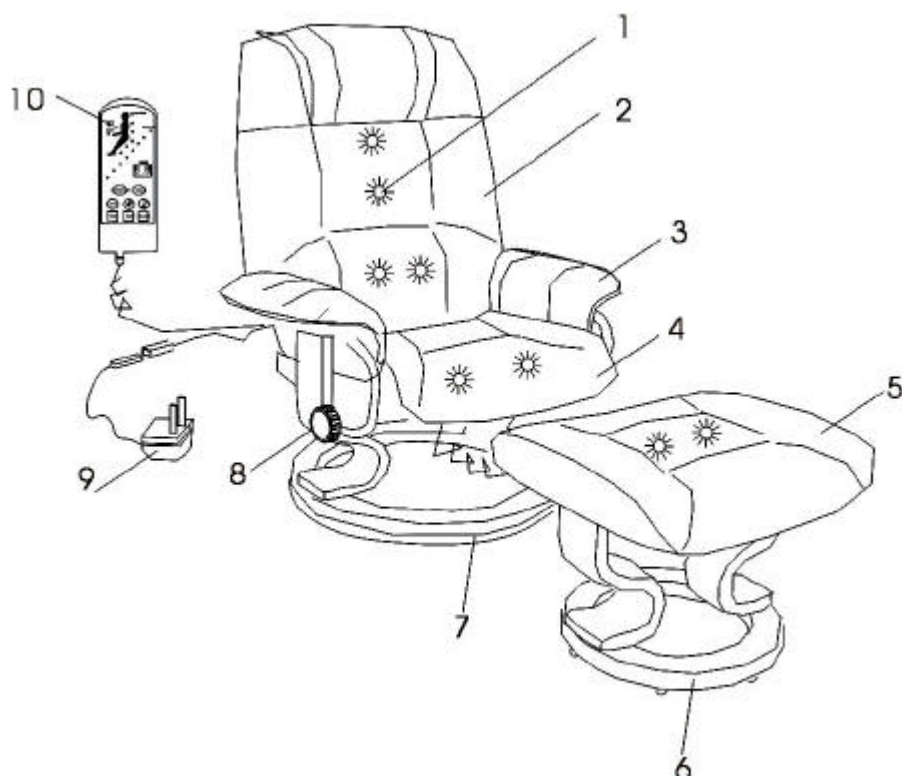
INTRODUCTION

The Restwell range of massage armchairs is designed to be comfortable, stylish whilst offering excellent value for money.

The armchairs come in a variety of fabrics and styles to suit most decors, and are made to the highest quality and are CE marked. The weight limit for the armchair is 21 stone (136kg).

Restwell is a brand of Medicare Technology. Medicare Technology is an ISO 9001 certified company. For more details about our products please see your local dealer.

PARTS DESCRIPTION

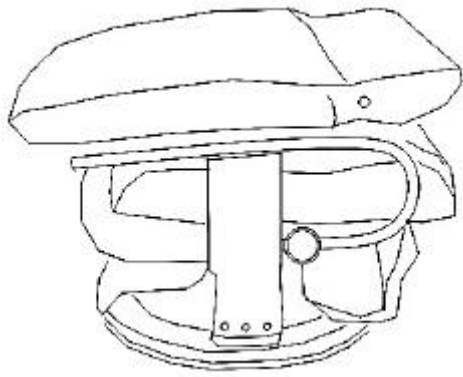


1. Massage motor
2. Backrest
3. Armrest
4. Seat
5. Foot stool cushion
6. Foot stool base
7. Chair base
8. Adjustment handle
9. Power Supply
10. Handset

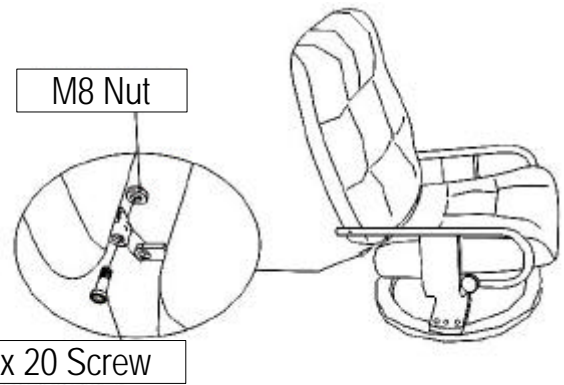
PERSONAL SAFETY

- Ensure that only Medicare parts are used on the armchair. Periodically visually inspect the handset and power cord for signs of wear, chafing or cracks.
- When reclining the armchair, ensure that you will not collide with anybody behind you. Please ensure that no children or pets are underneath the armchair before operating the recline mechanism.
- Carelessness Causes Fire. Caution should be taken to avoid fire. Please ensure that all cigarettes and matches are properly extinguished. Please be careful of other fire hazards such electric and gas fires, etc nearby.
- The weight limit on the armchair is 21 stone (136 kg). Please ensure that only one person uses the massage chair at any one time.
- Do not use the massage chair in dusty, humid or damp environments as this could affect the electrical and mechanical parts of the armchair. The armchair may also be sensitive to temperature changes. If possible, try to gradually change the environment temperature. If this is not possible, do not use the armchair for the first hour after the temperature change.
- Be careful with the cables on the massage chair. When plugging/unplugging parts, always grip the connectors (not the cables). Ensure that cables are free, not taut or wound around, and that there is no risk of cables being caught, snagged or chafed.
- Keep your body relaxed during the massage. If you require a more gentle massage place a blanket or towel on the chair behind you.
- Please consult your doctor before using the massage chair if you are convalescing, pregnant or have any of the following conditions:
 - Malignant tumour(s)
 - Heart disease
 - High fever
- If you suffer from any abnormal and/or serious pains when using the massage chair, switch off the massage function and consult your doctor.
- If any of the following occur, switch off the massage chair and remove the power supply from the mains:
 - The massage chair does not work or has got wet.
 - The fabric of the massage chair is damaged and parts are exposed.

INSTALLATION INSTRUCTIONS



1. Take the chair frame out of the box and lay it on a clean floor



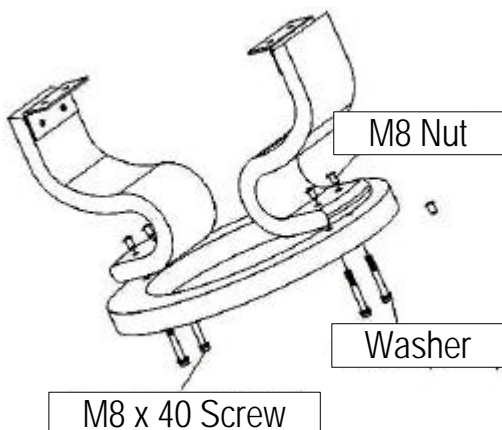
2. Attach the back and seat cushions together using the nut and bolt as shown. Repeat for both sides.



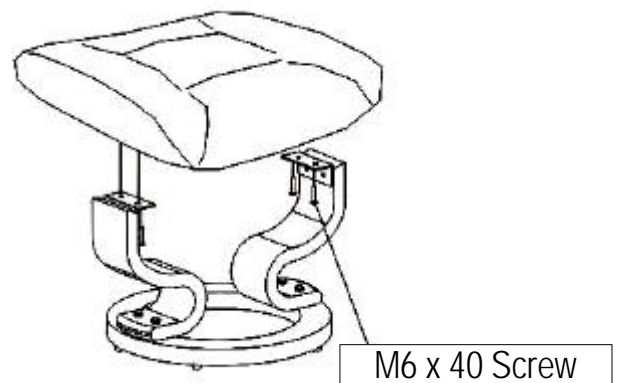
3. Attach the back cushion to the main frame using the screws provided.



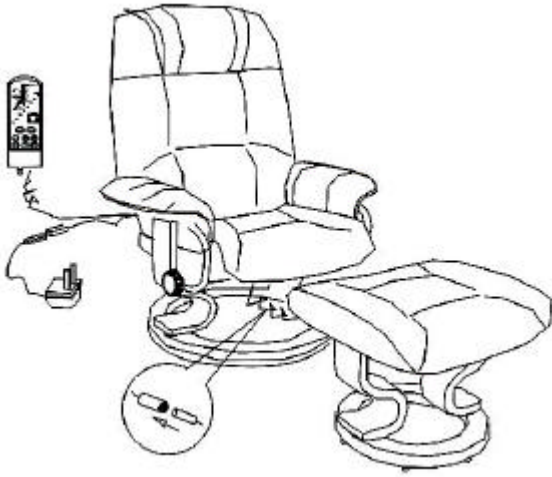
4. Attach the arm pads to the main frame using the screws provided.



5. Connect the two 'S' shaped legs to the circular base of the footstool, using the fasteners provided.

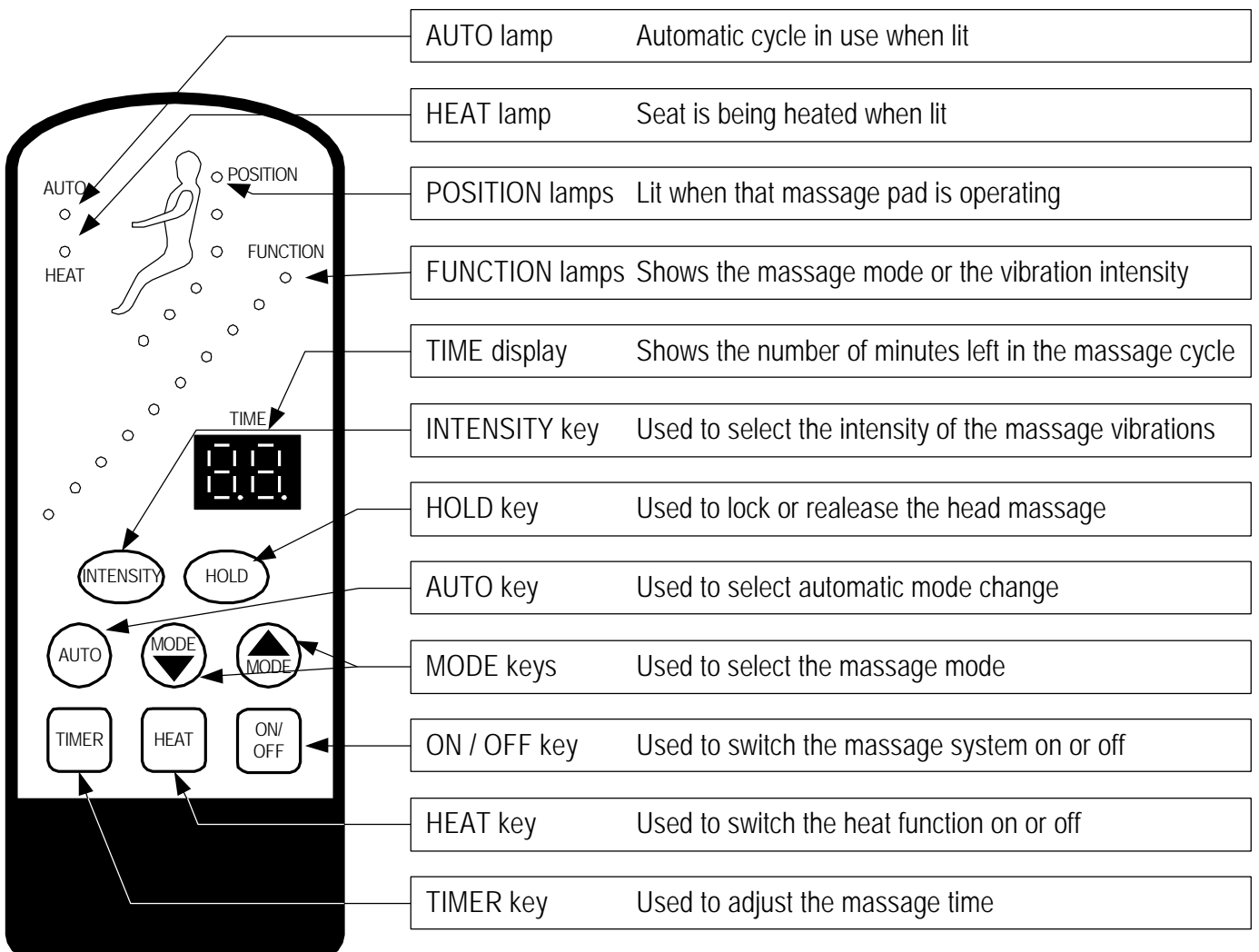


6. Attach the footstool cushion to the base using the screws provided.



7. Connect the cable on the footstool to the corresponding cable on the chair.
8. Then connect PSU to the cable running out of the back of the chair.

MESSAGE FUNCTIONS



To operate the Massage function:

- Press the ON / OFF key to switch the massage unit on. The massage unit will start with a 30 minute massage programme which automatically alters the

massage mode every minute. Press the ON / OFF key again to switch off the unit.

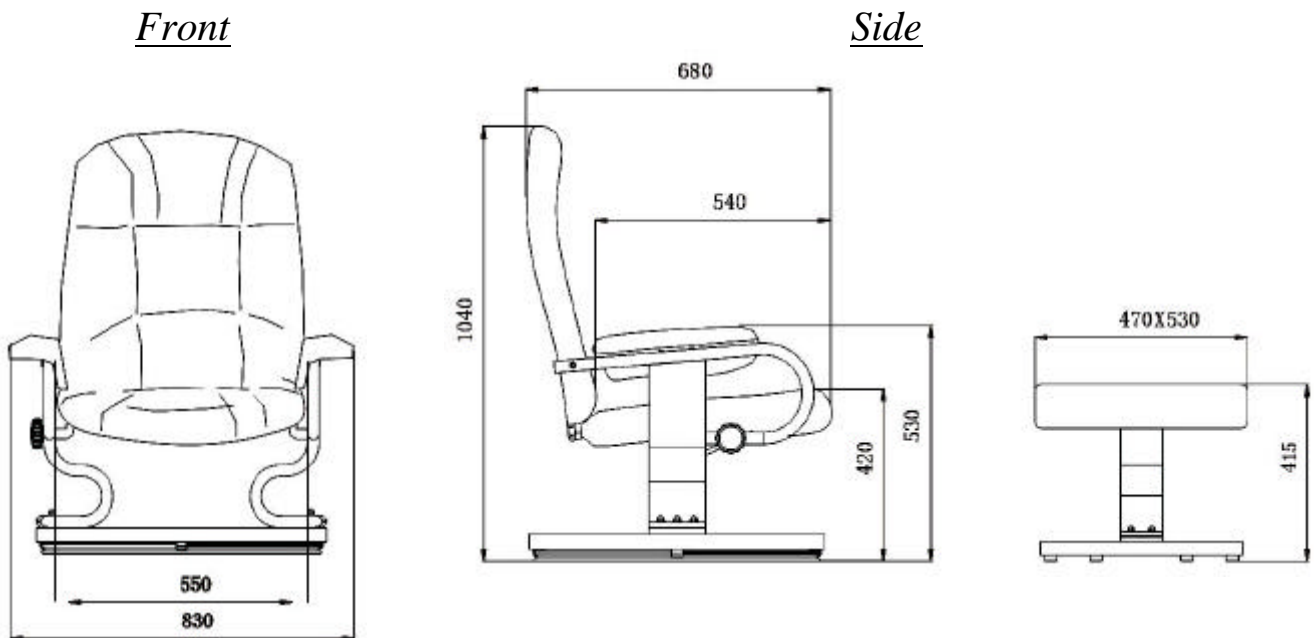
- Press the HEAT key to switch the heat function on. The HEAT lamp will be lit when this function is on. Switch the HEAT key again to switch the heat function off.
- To adjust the time which the massage unit will run for (shown by the TIME display) press the TIMER key. The time will then increase up to a maximum of 99 minutes, after which pressing the TIMER key will reset the time to 1 minute.
- Press the AUTO key to switch the automatic mode cycle function off, which stops the unit from changing massage mode every minute. Press the AUTO key to switch on the automatic mode cycle function. The AUTO lamp is lit when the automatic mode cycle function is on.
- Press one of the MODE keys to move up or move down a massage mode. The current massage mode is shown by one of the ten FUNCTION lamps being illuminated.
- Press the INTENSITY key to increase the intensity of the massage vibrations. After pressing the key, the new intensity will be shown momentarily by illuminating a number of the FUNCTION lamps (the number lit depends on the intensity). Once the intensity is at maximum, pressing the key again will reset the intensity to it's lowest level.
- Press the HOLD key to lock the head massage in it's current state. Press the key again to release the lock.

CARE AND MAINTENANCE

- Storage:
 - Keep the massage chair dry and clean. Use a dustsheet to protect the massage chair if it will not be used for a long period.
 - Do not expose the chair to strong sunlight or high temperatures, as this could cause the leather to fade.
 - When not in use, switch the massage unit off and disconnect from the mains.
 - Do not put any heavy articles on to the armrest or footstool as this could damage the armchair and/or cause it to become unstable.

- Cleaning
 - Do not rub the surface of the chair with hard or coarse objects.
 - The wooden parts of the chair may be cleaned with a duster or dry cloth. Polish should not be used as this can cause abrasion of the wood.
 - Use a damp cloth with mild detergent to clean the leather upholstery and steel frame. Then wipe with a dry cloth. Do not use detergents containing alcohol (such as benzene) as this could damage the leather.
 - Only use dry cloth to wipe the handset.

SPECIFICATION



All dimensions are in millimetres.

TROUBLESHOOTING

Consult the following if the armchair malfunctions or cannot be used. If the problem cannot be remedied do not attempt any repairs as this could cause damage or injury and may invalidate your warranty.

Symptom	Cause	Possible Solution
<i>Noisy operation</i>	<i>Noise occurs during use. Noise from pulsator, especially when no one is sat in the chair.</i>	<i>These are normal sounds during operation. Possibly from friction between the massager and the upholstery</i>
<i>The chair will not switch on</i>	<i>No power. Loose or missing connection.</i>	<i>Check the power is on. Check the PSU is fully in the mains socket. Check the handset is connected.</i>
<i>Footstool</i>	<i>Footstool will not vibrate</i>	<i>Check footstool is connected to chair</i>

FAIR WEAR AND TEAR POLICY

Your new armchair is covered by the warranty below. Please note however this warranty does not include:

- *Damage from misuse, and use over the specified weight limit.*
- *Material fading over time or through sunlight.*
- *Damage from spills or leaks.*
- *Collision damage (rubbing against walls, etc)*
- *Accidental tears and damage*
- *Cigarette and match burns*

WARRANTY

Your Restwell massage armchair comes with a comprehensive twelve-month warranty. For warranty issues and claims please contact your Medicare Technology dealer. The warranty conditions are below:

1. Any work or replacement part installation must be carried out by an authorised Medicare Technology dealer / service agent.
2. To apply the warranty should your armchair require attention please contact the your Medicare Technology dealer / service agent.
3. Should any part of the armchair require repair or full or part replacement as a result of a manufacturing or material defect within twelve months of receiving the armchair, parts will be supplied free of charge.
Note: The guarantee is not transferable
4. Any repaired or replaced parts will be covered by this warranty for the balance of the warranty period on the armchair.
5. Parts replaced after the original warranty has expired will be covered by a three-month warranty.
6. Consumable items supplied will not generally be covered during the normal warranty period unless such items require repair or replacement clearly as a direct result of a manufacturing or material defect.
Such items include (among others): upholstery, batteries
7. The above warranty conditions apply to brand new chairs. Chairs supplied as secondhand by Medicare Technology generally carry a six-month warranty. If you are unsure whether your chair is covered, check with the service agent / dealer.
8. Under normal circumstances, no responsibility will be accepted where the armchair has required assistance as a direct result of:
 - a) The armchair part not having been maintained in accordance with the manufacturer's recommendations.
 - b) Failure to use the manufacturer's specified parts
 - c) The armchair or part having been damaged due to neglect, accident or improper use
 - d) The armchair or part having been altered from the manufacturer's specifications or repairs having been attempted before the service agent / dealer is notified.

In the event of your armchair requiring attention, please contact your service agent / dealer and give all relevant details so they can act quickly. Please contact Medicare Technology for advice if you do not know where the armchair was originally purchased from.

The manufacturer reserves the right to alter without notice any weights, measurements or other technical data shown in this manual. All figures, measurements and capacities shown in this manual are approximate and do not constitute specifications.