

RELAXER ARMCHAIR

Assembly Instructions

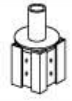








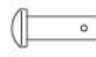






(Covers models ARC-1001 to ARC-1003)

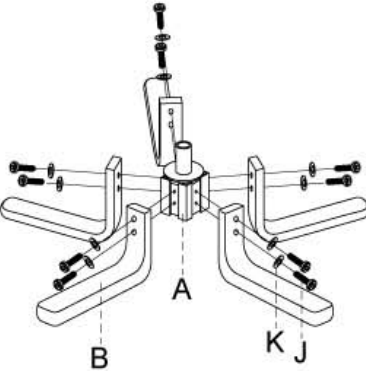
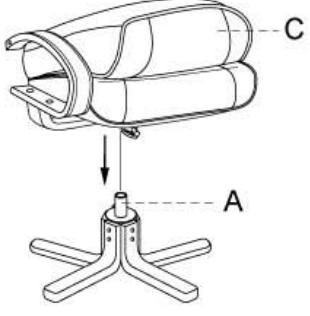


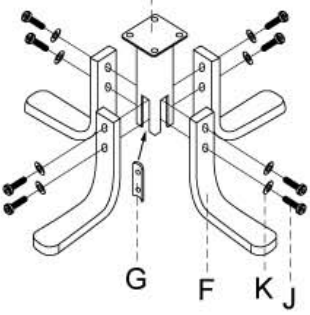
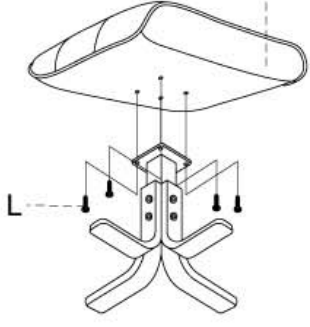


RESTWELL, Drive Medical Ltd,
Ainley's Industrial Estate, Elland, GB HX5 9JP
Tel: +44 (0) 1422 314488
Email: enquiries@drivemedical.co.uk

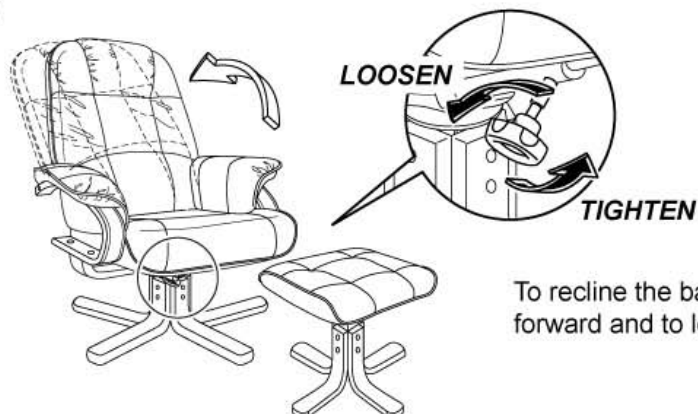
ASSEMBLY INSTRUCTIONS

Remove all the parts from carton, separate them into part numbers indicated on the list and make sure part quantities are correct.

PARTS LIST														
A		x1	D		x1	G		x4	J		x18	M		x4
B		x5	E		x1	H		x1	K		x18	N		x2
C		x1	F		x4	I		x1	L		x8	O		x2
												P		x2

<p>STEP 1.</p> 	<p>STEP 2.</p> 	<p>STEP 3.</p> 
<p>STEP 4.</p> 	<p>STEP 5.</p> 	<p>STEP 6.</p> 

OPERATION



To recline the back by turning knob forward and to lock it return.