

RELAXER ARMCHAIR

Assembly Instructions

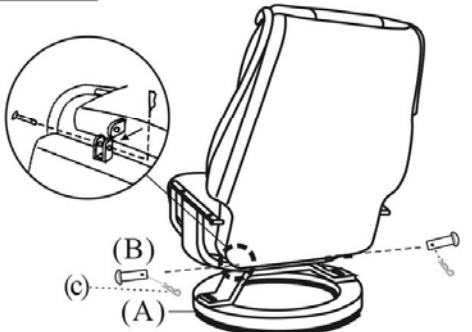
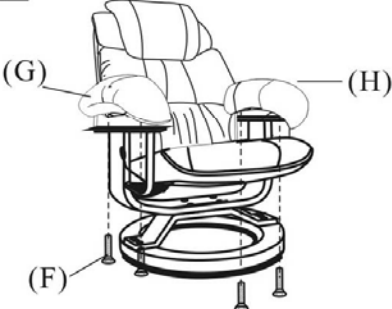
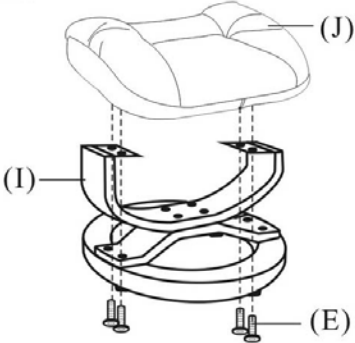

(covers model ART-1001)













RESTWELL, Drive Medical Ltd,
Ainley's Industrial Estate, Elland, GB HX5 9JP
Tel: +44 (0) 1422 314488
Email: enquiries@drivemedical.co.uk

ASSEMBLY INSTRUCTIONS

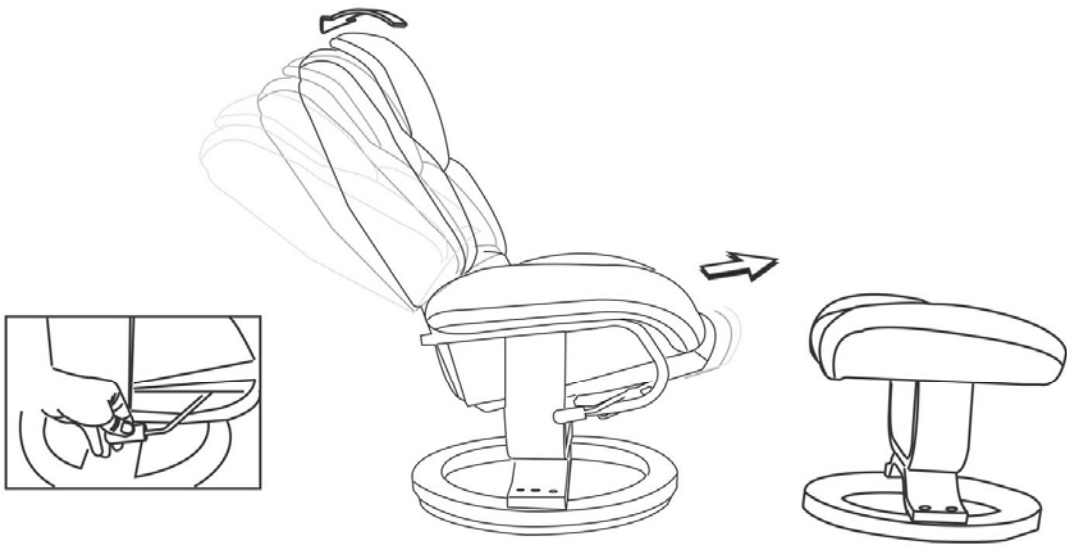
Remove all parts from the carton carefully, and then follow the steps below:

<p>STEP 1.</p>  <p>Align the holes then insert two clip rods(B) with R type bolts(c) .</p>	<p>STEP 2.</p>  <p>Place the armrests(G&H) onto the main frame with the arm screws(F) and secure them by using the Allen wrench</p>
<p>STEP 3.</p>  <p>Place the ottoman cushion(J) onto the ottoman base(I) by using ottoman screws(E).</p>	<p>STEP 4.</p> 

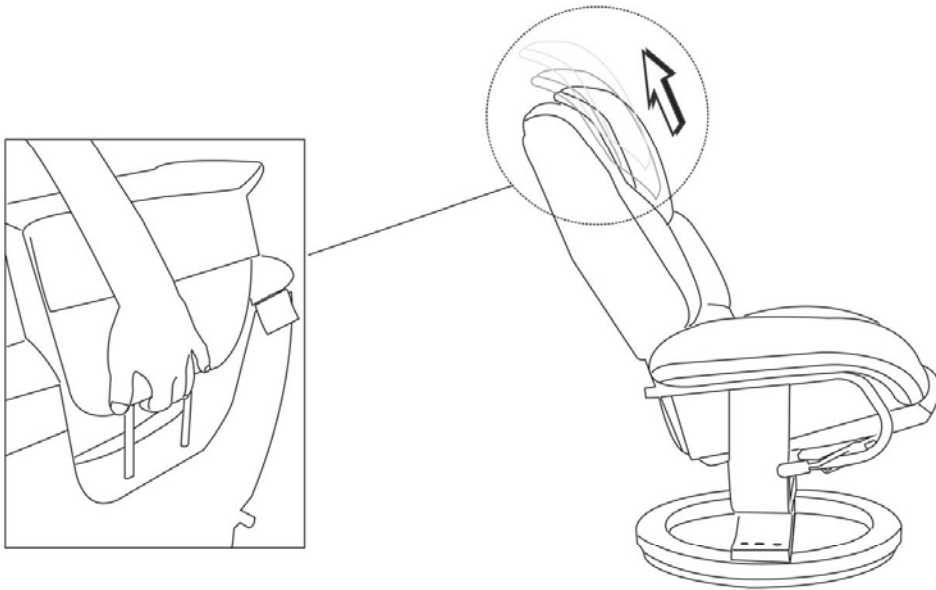
PARTS LIST

A		B	 x2	C	 x2	D	 M4 x1
E	 x4	F	 x4	G	 x1 Right	H	 x1 Left
I	 x1	J	 x1				

1.



2.



3.

