

RELAXER ARMCHAIR

Assembly Instructions
















(covers model ART-1002)



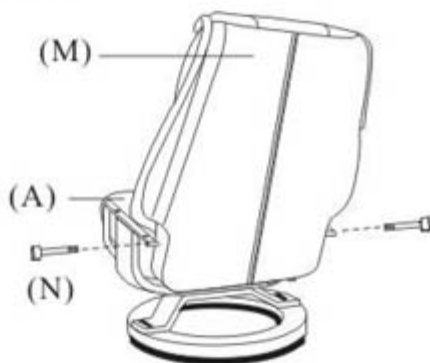
RESTWELL, Drive Medical Ltd,
Ainley's Industrial Estate, Elland, GB HX5 9JP
Tel: +44 (0) 1422 314488
Email: enquiries@drivemedical.co.uk

ASSEMBLY INSTRUCTIONS

Remove all parts from the carton carefully, then follow the steps below:

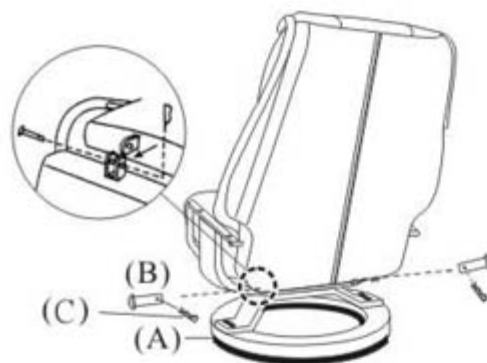
PARTS LIST											
A		x1	E		x4	I		x1	M		x1
B		x2	F		x4	J		x1	N		x1
C		x2	G		x1	K		x1			
D	 M6	x2	H		x1	L		x1			
	 M4										

STEP 1.



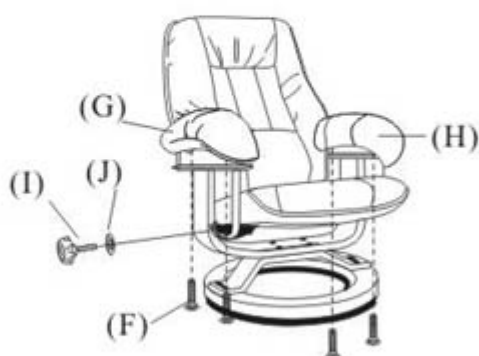
Position the long screws (N) into both sides of the seat frame (A) and back cushion (M).

STEP 2.



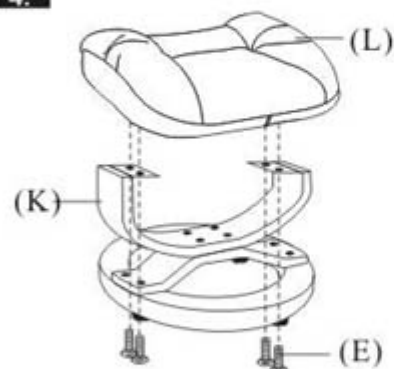
Align the holes then insert two clip rods (B) with R type bolts (C).

STEP 3.



Place the armrests (G & H) onto the main frame with the arm screws (F) and secure them by using the Allen wrench

STEP 4.

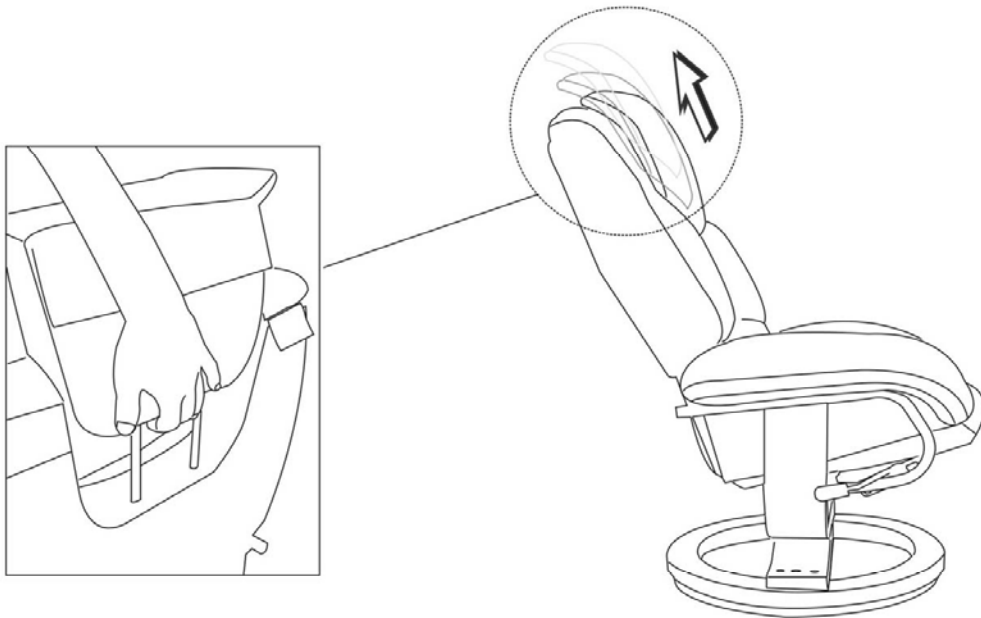


Place the ottoman cushion (L) onto the ottoman base (K) by using ottoman screws (E).

1.



2.



3.

