

Restwell Venice

Massage Chair (MC006) Owner's Handbook

CONTENTS

1. Introduction
2. Parts Description
3. Personal Safety
4. Installation Instructions
5. Massage Function
6. Care and Maintenance
7. Specification
8. Troubleshooting
9. Fair Wear and Tear Policy
10. Warranty

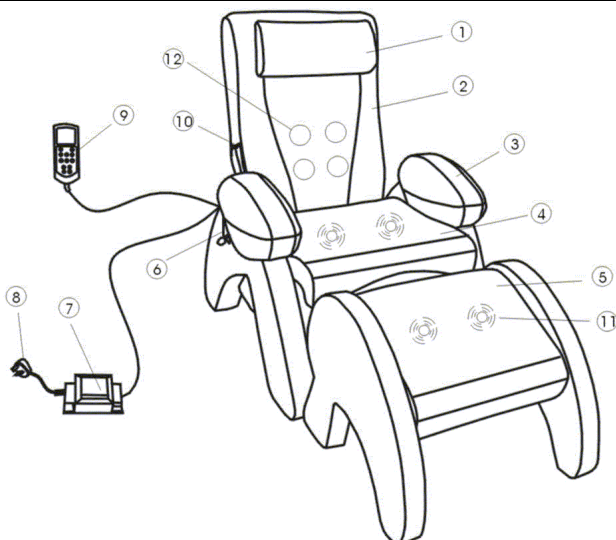
INTRODUCTION

The Restwell range of massage armchairs is designed to be comfortable and stylish whilst offering excellent value for money.

The armchairs come in a variety of fabrics and styles to suit most decors, and are made to the highest quality and are CE marked. The weight limit for the armchair is 21 stone (136kg).

Restwell is a brand of Medicare Technology. Medicare Technology is an ISO 9001 certified company. For more details about our products please see your local stockist.

PARTS DESCRIPTION

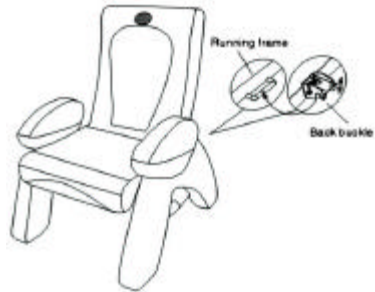


1. Head cushion
2. Back rest
3. Arm rest
4. Seat
5. Foot rest cushion
6. Regulator
7. Power supply
8. 13A plug
9. Hand control
10. Pocket for control
11. Vibrating motors
12. Massage motors

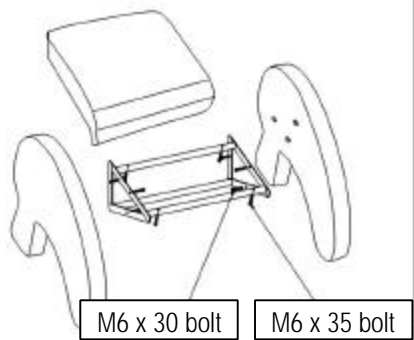
PERSONAL SAFETY

- Ensure that only Medicare parts are used on the armchair. Periodically visually inspect the handset and power cord for signs of wear, chafing or cracks.
- When reclining the armchair, ensure that you will not collide with anybody behind you. Please ensure that no children or pets are underneath the armchair before operating the recline mechanism.
- Carelessness Causes Fire. Caution should be taken to avoid fire. Please ensure that all cigarettes and matches are properly extinguished. Please be careful of other fire hazards such electric and gas fires, etc nearby.
- The weight limit on the armchair is 21 stone (136 kg). Please ensure that only one person uses the massage chair at any one time.
- Do not use the massage chair in dusty, humid or damp environments as this could affect the electrical and mechanical parts of the armchair. The armchair may also be sensitive to temperature changes. If possible, try to gradually change the environment temperature. If this is not possible, do not use the armchair for the first hour after the temperature change.
- Be careful with the cables on the massage chair. When plugging/unplugging parts, always grip the connectors (not the cables). Ensure that cables are free, not taut or wound around, and that there is no risk of cables being caught, snagged or chafed.
- Keep your body relaxed during the massage. If you require a more gentle massage place a blanket or towel on the chair behind you.
- Please consult your doctor before using the massage chair if you are convalescing, pregnant or have any of the following conditions:
 - Malignant tumour(s)
 - Heart disease
 - High fever
- If you suffer from any abnormal and/or serious pains when using the massage chair, switch off the massage function and consult your doctor.
- If any of the following occur, switch off the massage chair and remove the power supply from the mains:
 - The massage chair does not work or has got wet.
 - The fabric of the massage chair is damaged and parts are exposed.

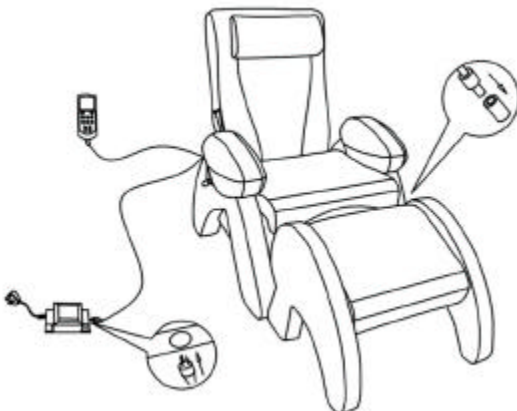
INSTALLATION INSTRUCTIONS



1. Unpack the massage chair and place it carefully on the floor.
2. Unfold the chair and tilt the backrest back until the buckle locks the backrest in place.

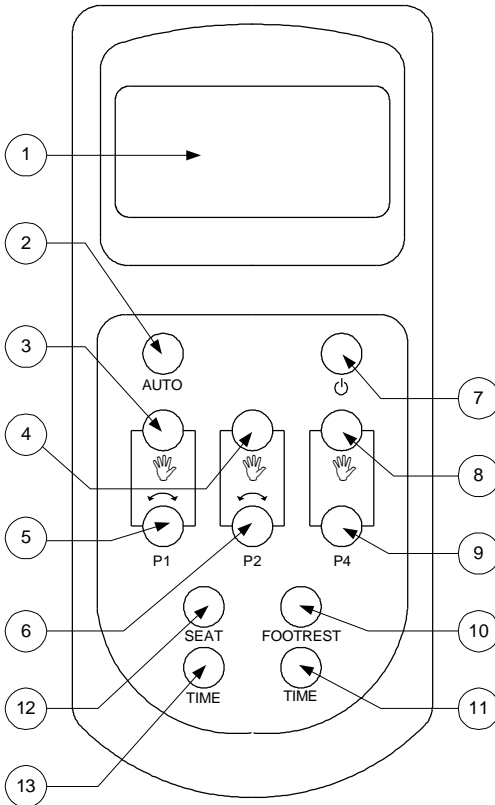


3. Secure the headrest and arm pads with the adhesive tape provided.
4. For the footstool, attach the parts as shown above.



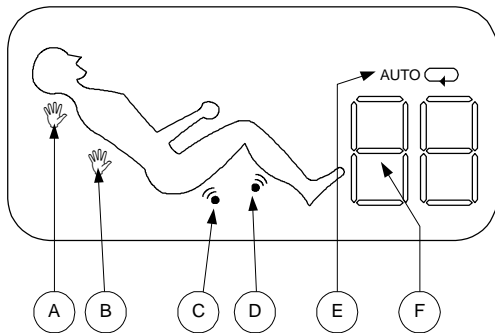
5. Connect the footstool and chair together and plug the chair in to the transformer. Plug the transformer in to the mains.

MESSAGE FUNCTIONS



1. **LCD display.** Shows:
 - A. Neck kneading
 - B. Lower back kneading
 - C. Seat vibration
 - D. Legs vibration
 - E. Automatic programme
 - F. Time (Minutes remaining)

2. **Auto Button**
3. **Stronger Neck Knead**
4. **Stronger Lower Back Knead**
5. **Neck Knead Direction**
6. **Lower Back Knead Direction**
7. **On / Off button**
8. **Automatic Knead**
9. **Automatic Knead Direction**
10. **Footrest Vibration Massage**
11. **Add Time (1 minute)**
12. **Seat Vibration Massage**
13. **Add Time (10 minutes)**



To operate the Massage function:

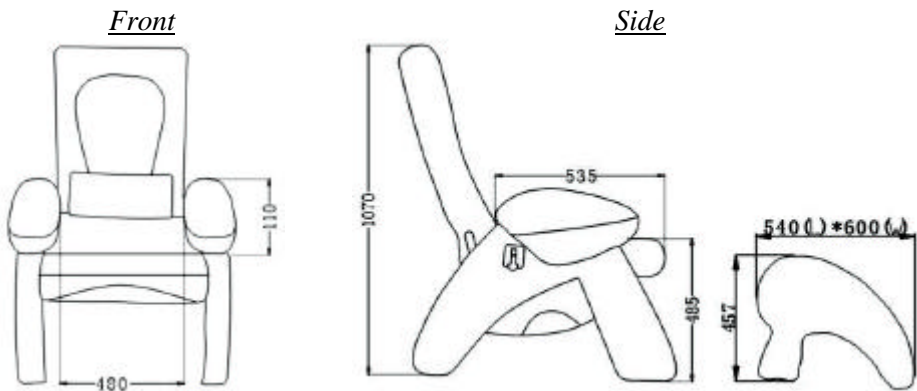
- Press the ON / OFF key to switch the massage unit on. The massage unit will start with a 30 minute massage programme which automatically alters the massage mode every minute. Press the ON / OFF key again to switch off the unit.
- To adjust the time which the massage unit will run for (shown by the TIME display) press the one of the ADD TIME buttons. The time will then increase up to a maximum of 99 minutes, after which pressing the TIMER key will reset the time to 1 minute.
- Press the AUTO key to switch the automatic mode cycle function off, which stops the unit from changing massage mode every minute. Press the AUTO key to switch on the automatic mode cycle function. When the automatic mode cycle function is on, this is shown on the LCD display
- Press the STRONGER LOWER BACK KNEAD button to start neck kneading. Press again to stop. Press the LOWER BACK KNEAD DIRECTION button to reverse the direction of the kneading.
- Press the STRONGER NECK KNEAD button to start neck kneading. Press again to stop. Press the NECK KNEAD DIRECTION button to reverse the direction of the kneading.
- Press the FOOTREST button to start vibrating massage on the footrest. Press again to stop.
- Press the SEAT button to start vibrating massage on the seat. Press again to stop.

CARE AND MAINTENANCE

- Storage:
 - Keep the massage chair dry and clean. Use a dustsheet to protect the massage chair if it will not be used for a long period.
 - Do not expose the chair to strong sunlight or high temperatures, as this could cause the leather to fade.
 - When not in use, switch the massage unit off and disconnect from the mains.
 - Do not put any heavy articles on to the armrest or footstool as this could damage the armchair and/or cause it to become unstable.

- Cleaning
 - Do not rub the surface of the chair with hard or coarse objects.
 - The wooden parts of the chair may be cleaned with a duster or dry cloth. Polish should not be used as this can cause abrasion of the wood.
 - Use a damp cloth with mild detergent to clean the leather upholstery and steel frame. Then wipe with a dry cloth. Do not use detergents containing alcohol (such as benzene) as this could damage the leather.
 - Only use dry cloth to wipe the handset.

SPECIFICATION



All dimensions are in millimetres.

The backrest will recline up to 45°.

The fabric is leather effect PVC.

TROUBLESHOOTING

Consult the following if the armchair malfunctions or cannot be used. If the problem cannot be remedied do not attempt any repairs as this could cause damage or injury and may invalidate your warranty.

Symptom	Cause	Possible Solution
<i>Noisy operation</i>	<i>Noise occurs during use. Noise from motors, especially when no one is sat in the chair.</i>	<i>These are normal sounds during operation. Possibly from friction between the massager and the upholstery</i>
<i>The chair will not switch on</i>	<i>No power. Loose or missing connection.</i>	<i>Check the power is on. Check the PSU is fully in the mains socket. Check the handset is connected.</i>
<i>Footstool</i>	<i>Footstool will not vibrate</i>	<i>Check footstool is connected to chair</i>

FAIR WEAR AND TEAR POLCIY

Your new armchair is covered by the warranty overleaf. Please note however this warranty does not include:

- *Damage from misuse, and use over the specified weight limit.*
- *Material fading over time or through sunlight.*
- *Damage from spills or leaks.*
- *Collision damage (rubbing against walls, etc)*
- *Accidental tears and damage*
- *Cigarette and match burns*

WARRANTY

Your Restwell massage armchair comes with a comprehensive twelve-month warranty. For warranty issues and claims please contact your Restwell stockist. The warranty conditions are below:

1. Any work or replacement part installation must be carried out by an authorised Medicare Technology dealer / service agent.
2. To apply the warranty should your armchair require attention please contact the your Medicare Technology dealer / service agent.
3. Should any part of the armchair require repair or full or part replacement as a result of a manufacturing or material defect within twelve months of receiving the armchair, parts will be supplied free of charge.
Note: The guarantee is not transferable
4. Any repaired or replaced parts will be covered by this warranty for the balance of the warranty period on the armchair.
5. Parts replaced after the original warranty has expired will be covered by a three-month warranty.
6. Consumable items supplied will not generally be covered during the normal warranty period unless such items require repair or replacement clearly as a direct result of a manufacturing or material defect.
Such items include (among others): upholstery, batteries
7. The above warranty conditions apply to brand new chairs. Chairs supplied as secondhand by Medicare Technology generally carry a six-month warranty. If you are unsure whether your chair is covered, check with the service agent / dealer.
8. Under normal circumstances, no responsibility will be accepted where the armchair has required assistance as a direct result of:
 - a) The armchair part not having been maintained in accordance with the manufacturer's recommendations.
 - b) Failure to use the manufacturer's specified parts
 - c) The armchair or part having been damaged due to neglect, accident or improper use
 - d) The armchair or part having been altered from the manufacturer's specifications or repairs having been attempted before the service agent / dealer is notified.

In the event of your armchair requiring attention, please contact your service agent / dealer and give all relevant details so they can act quickly. Please contact Medicare Technology for advice if you do not know where the armchair was originally purchased from.

The manufacturer reserves the right to alter without notice any weights, measurements or other technical data shown in this manual. All figures, measurements and capacities shown in this manual are approximate and do not constitute specifications.