



drive
MEDICAL DESIGN & MANUFACTURING

US Drive Medical, NY 11050
UK Drive Medical Ltd, HX5 9JP
DE Drive Medical GmbH & Co. KG, D-88316 Isny

© 2010 Medical Depot, Inc. All Rights Reserved
Drive is a trademark of Medical Depot Inc
Port Washington, New York NY 11050
Made in China



enigma steel wheelchair

drive
MEDICAL DESIGN & MANUFACTURING



US www.drivemedical.co.uk
UK www.drivemedical.de
DE www.drivemedical.com

contents

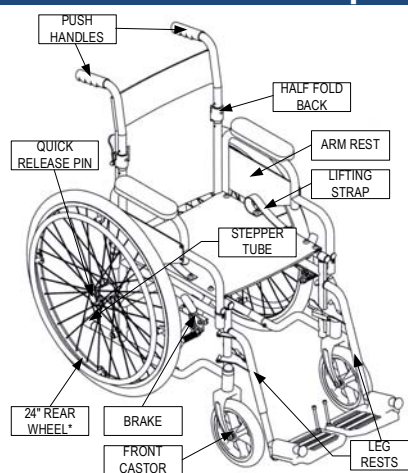
1. Contents
2. Introduction
3. Parts Description
4. Brake Operation
5. Leg Rest Adjustment
6. Folding Back Mechanism
7. Quick Release Components
8. Using the Stepper Tube
9. Disassembly and Folding
10. Tyre Pressure & Inflation
11. Powerpack Installation
12. Elevating Leg Rest
13. Specification
14. Warranty & Spare Parts

introduction

The Enigma lightweight steel wheelchair is designed for use indoors and outdoors, but should not be used on rough terrain. The wheelchair is designed for a single user of up to 115kg (18 stones). The frame can accommodate either 24" self propel wheels or 12½" transit wheels.

The wheelchair can be moved in all directions, and is manually propelled by the wheelchair user and/or a carer, depending upon the model of wheelchair in use.

parts description



Steel wheelchairs come with either 24" rear wheels (for a user to self-propel or attendant to push) or 12½" rear transit wheels (for an attendant to propel).

The transit model has attendant operated cable brakes and fixed wheel axle (no quick release pin)

spare parts available

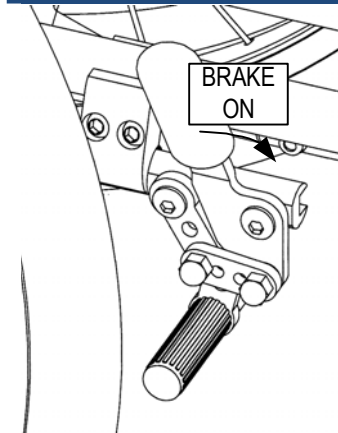
The following spare parts are available for your wheelchair:

Z10210-24:	18" seat canvas assembly
Z10260-24:	18" back canvas assembly
Z10350-24:	Half fold back mechanism (left)
Z10360-24:	Half fold back mechanism (right)
Z10400-24:	Front castor assembly (includes castor fork, wheel & axle)
Z10450-24:	Quick release pin for 24" wheel
Z10460-24:	24" wheel assembly (includes handrim and tyre)
Z10525-24:	Arm rest (left)
Z10575-24:	Arm rest (right)
Z10600-24:	Leg rest (right)
Z10650-24:	Leg rest (left)
Z10700-24:	Brake for 24" wheel (right)
Z10730-24:	Aluminium brake clamp
Z10750-24:	Brake for 24" wheel (left)
EBO04-24:	Brakes for 12" wheel (pair)

The parts are available exclusively from Drive Medical stockists. To order the parts please visit the stockist where you bought the wheelchair or visit www.drivemedical.co.uk to find your local stockist.

Spare part catalogues and other documentation can also be found at www.drivemedical.co.uk/technical

brake operation



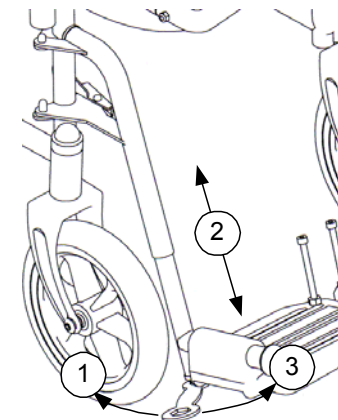
Parking Brakes

To apply the parking brakes, push the handle on the brake unit until locked in place (see diagram). To release the brake, push the handle in the opposite direction.

Attendant Brakes

The transit model comes with attendant brakes. Squeeze both attendant brake handles to apply the brakes to slow down the wheelchair. Apply the parking brakes when the wheelchair is stationary.

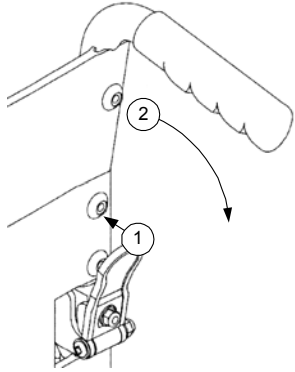
leg rest adjustment



For optimum comfort it is important to attain the correct leg position. The footrests have been designed so that they can be extended into a number of fixed positions. To do this, release the bolt using the spanner (see diagram) and turning clockwise (1). Then adjust the footplate to lengthen or shorten the legrest (2). Finally, tighten the bolt by using the spanner and turning anticlockwise (3).

Note: Always ensure the bolt is sufficiently tightened after adjustment.

folding back mechanism



To operate the half-fold mechanism see the diagram left & description below:

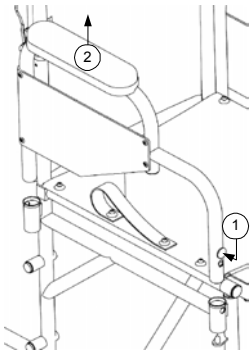
Push the black paddle (1) towards the back post with your thumb whilst pulling the handle (2) down. Repeat this operation for the other handle.

To put the backrest back into position, lift both handles together and the folding mechanism will lock back automatically. Do not push down on the handles to raise the front of the wheelchair, as this could result in damage to the wheelchair. Use the stepper tube as described in part 8.

On certain models the backrest has an in-built half folding back. This is designed so that the wheelchair will fit into small spaces by reducing the push handle height.

quick release components

The wheelchair comes with a number of components which can be easily removed without tools for storage or carrying. For all parts in this section see the relevant description and diagram:



A. Armrests

Remove the armrest by pushing in the button on armrest (1) tubing whilst lifting the armrest up (2).

Due to the detachable nature of the armrests, do not lift the wheelchair by the armrests.

warranty

Your Drive branded product is warranted to be free of defects in materials and workmanship for one year from date of purchase. This device was built to exacting standards and carefully inspected prior to shipment. This warranty is an expression of our confidence in the materials and workmanship of our products and our assurance to the customer.

In the event of a defect covered by this warranty, we will at our option supply parts or replace the device. This warranty does not cover device failure due to owner misuse or negligence, or normal wear and tear. The warranty does not extend to non-durable components, such as rubber accessories, castors and grips, which are subject to normal wear and need periodic replacement.

If you have any queries or require full warranty conditions, please contact your Drive stockist.

Drive Germany:

Drive Medical GmbH & Co. KG
Leutkircher Straße 44
D-88316 Isny/Allgäu (Germany)

Web www.drivemedical.de

Drive UK:

Drive Medical Limited
Ainley's Industrial Estate, Elland.
UK WEST YORKSHIRE HX5 9JP

Web www.drivemedical.co.uk

elevating leg rest

Elevating leg rests are optional with this wheelchair.

To use the steel elevating leg rest:

- To raise the angle of the leg rest, pull the footplate up and then release to secure in position.
- To reduce the angle of the leg rest, pull the lever on the leg rest, and let the footplate drop. To prevent the risk of injury, only do this when the user is not using the leg rest.
- The calf pad is also adjustable.
- Clean the leg rest if necessary, using water and soap or mild detergent
- **WARNING.** Altering the leg rest will affect the stability of the wheelchair. Always ensure that the wheelchair and user are stable before use. Never stand on the footplates as this could result in injury.

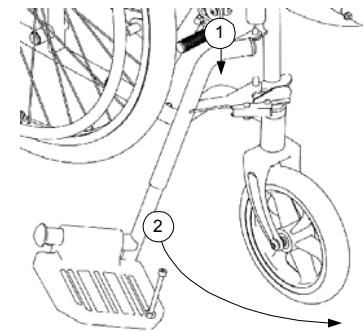
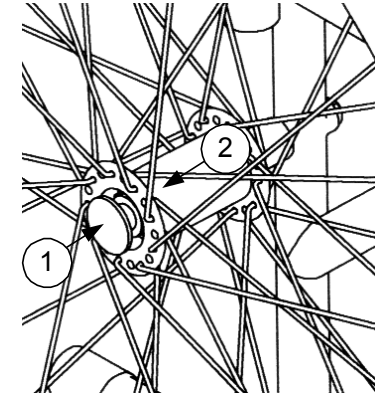
specification

	Self Propel (SSP18)	Transit (STS18)
Overall dimensions L x W x H (cm / in)	107cm x 63cm x 95cm 42" x 25" x 37.5"	97cm x 63cm x 95cm 38" x 25" x 37.5"
Folded dimensions L x W x H (cm / in)	65cm x 32cm x 74cm 25.5" x 12.5" x 29"	65cm x 32cm x 74cm 25.5" x 12.5" x 29"
Seat dimensions L x W x H (cm / in)	40cm x 45cm x 48cm 16" x 18" x 19"	40cm x 45cm x 48cm 16" x 18" x 19"
Total weight	17.5kg (39lb)	15.5kg (34lb)
Carry weight	9.5kg (21lb)	11.5kg (25lb)
Maximum user weight	18 stone (115kg)	18 stone (115kg)

B. Rear wheels (self propel only)

With one hand holding up the wheelchair frame, the other hand should grip the centre of the wheel, push the centre pin inwards (1) & in the same movement pull the wheel hub away from the wheel (2).

To put the wheels back the procedure should be reversed. Check that the wheel is securely fastened before use by pulling the wheel and ensuring there is no sideways movement.



C. Leg Rests

To remove the leg rest, press the chrome lever on the leg rest whilst swinging the leg rest out. This will now allow the leg rest to be lifted up and removed. To attach the leg rest, place the leg rest on the two receiver posts on the wheelchair frame (1). Then swing the leg rest inwards until it locks in position (2).

Ensure that the leg rest is securely locked in position before use.

using the stepper tube

Use the stepper tube to raise the front castors (when mounting a kerb for example). To use, push down on the stepper tube with a foot. Do not raise the front castors by pushing down on the push handles as this could result in damage to the wheelchair.

To mount a kerb. Approach the kerb head on. Then the attendant uses the stepper tube to raise the front castors, and lowers the front castors on the raised kerb. Finally the attendant should push the wheelchair forward, lifting it up slightly to mount the kerb if required.

To go down a kerb. Line up the front castors with the edge of the kerb. The attendant uses the stepper tube to raise the front castors and tip the user slightly back. Keeping the castors raised, slowly lower the wheelchair down the kerb.

Warning: When going down a kerb, the front castors must be raised to prevent the user from falling out. The above are only recommendations and may not be suitable for all events.

disassembly and folding

Before folding, remove any quick release components if required. The Enigma wheelchair has been designed with an easy fold mechanism. To fold the wheelchair, ensure that the leg rests are removed, or in the forward position with plastic footplates flipped up. Holding the front and rear edge of the seat sling, pull the seat in an upward motion. The wheelchair will naturally fold up. Alternatively pull up on the two lift up straps on the seat canvas. Use the folding back mechanism if required.

We recommend that the wheelchair is carried by the two lift up straps. Please note though that the wheelchair may be too heavy for some users to lift. Also be sure to adopt the latest health and safety recommendations when lifting the wheelchair.

IMPORTANT: The wheelchair has not been tested as a seat in a motor vehicle. Users should always transfer to the vehicle's seat and the wheelchair should be safely stowed away.

tyre pressure and inflation

This Enigma wheelchair comes complete with pneumatic tyres. The tyres should be inflated with a manually operated pump and use a standard car tyre air valve (Schrader valve).

Note that under no circumstances should a powered or compressed air pump be used. The tyre pressure should be tailored for optimum user comfort and wheelchair ease of use. We recommend a tyre pressure of 35psi (2.5bar) for comfort. However, do not exceed the maximum pressure stated on the side wall of the tyre. This may differ slightly between tyres, but is typically:

- 55psi (3.8bar) for 24" self propel wheels
- 40psi (2.8bar) for 12½" transit wheels

Always refer to the maximum pressure stated on the tyre

The Enigma wheelchair range is also available with solid tyres and mag wheels. For more details see your Drive Medical dealer.

powerpack installation



This wheelchair is suitable for some retrofit powerpacks, such as the PowerStroll. A suggested configuration is shown left.

Note this is a suggestion, and the mounting position will need adapting to be suitable for the user and the powerpack used. For more information about the PowerStroll contact your Drive Medical dealer or visit www.drivemedical.co.uk for more details.