



**TRAVELEASE**  
*mini scooter*

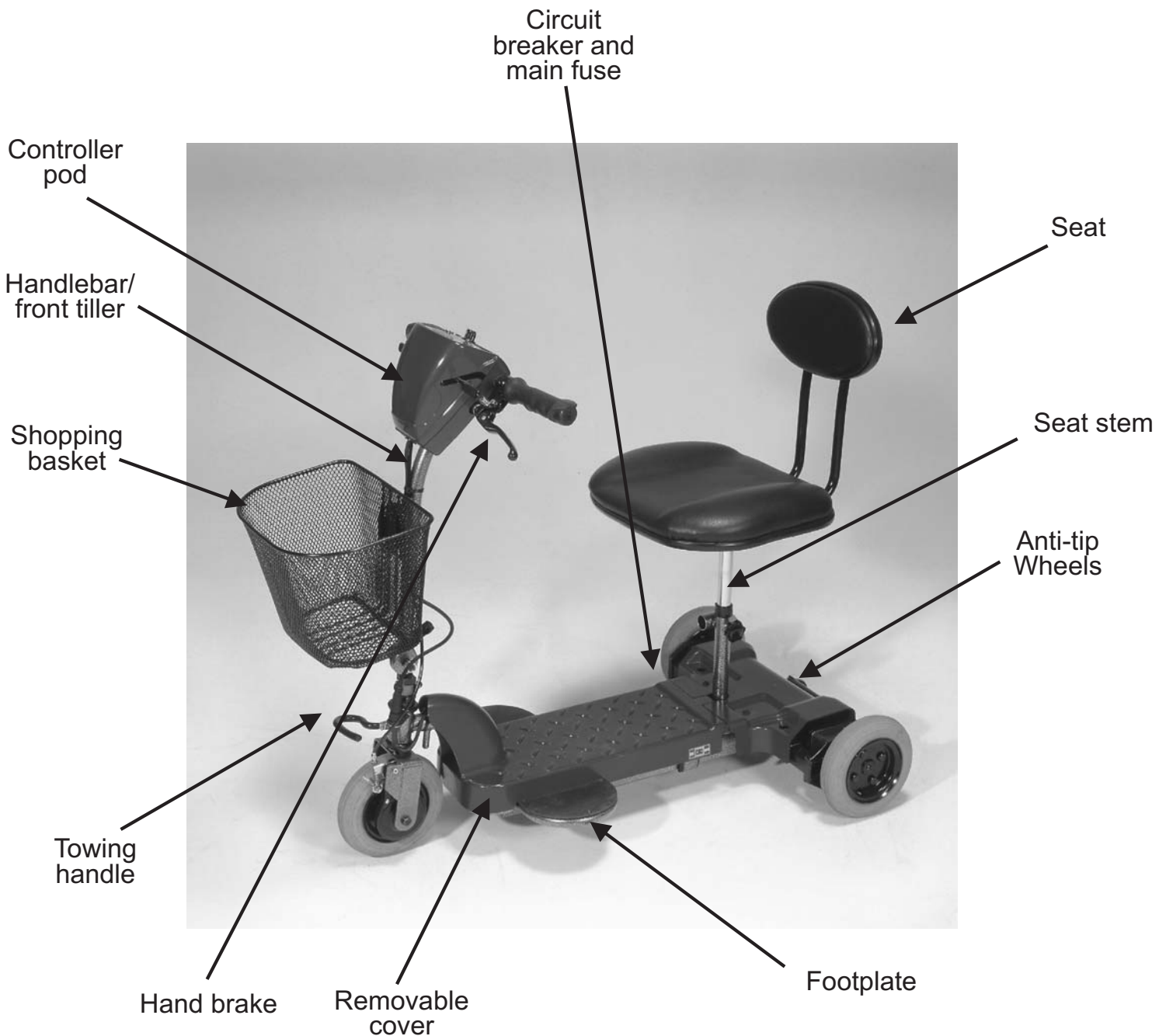


**User Manual**



# CONTENTS

Parts Description  
Introduction  
QC Documentation  
Personal Safety  
Control Functions Description  
Transportation, Assembly and Disassembly  
Battery Charging  
Care and Maintenance  
Troubleshooting  
Service Record  
Specification  
Warranty



## INTRODUCTION

The Wheeltech Travelease has been designed for a single occupant user mass of up to 90kg (14 stone) for the steel model (MS001) and 115kg (18 stone) for the aluminium model (MS002). The Travelease has been designed for users who experience difficulty or discomfort when walking for prolonged periods, but have the use of both legs and the physical, visual and cognitive ability to operate the scooter safely.

The Travelease scooter is designed for use indoors and limited outdoor use during daylight (in a shopping centre or precinct for example). The scooter can be used on pavements but must not be used on public highways other than to cross the road. The Travelease is designed as a lightweight portable aid. Other electric mobility scooters are available which have been designed specifically for the less able bodied user.

All Medicare Technology products are manufactured to the highest standards in accordance with EEC Directive EEC/93/42, and are CE marked.

The Travelease Scooter is a robust and visually appealing product whilst being a cost-effective solution to minor mobility problems.

It is essential that you read this user manual fully before operating the product. Please return your warranty registration form to confirm you have read this manual. If you have any queries or problems, please contact:

Medicare Technology Ltd,  
Dale House, Armytage Road,  
Brighouse, West Yorkshire,  
Great Britain HD6 1PT.

Tel: +44 1484 727301  
Fax: +44 1484 727370

## QC DOCUMENTATION

SERIAL NUMBER:

INSPECTED BY:

## PERSONAL SAFETY

The Wheeltech Travelease must only be used by a single occupant of user mass up to 90kg (14 stone) for steel Travelease and 115kg (18 stone) for Aluminium Travelease. The Travelease is only suitable for users who experience difficulty or discomfort walking for prolonged periods, but have the use of both legs and the physical, visual and cognitive ability to operate the scooter safely. Failure to comply with these safety guidelines could result in injury

### GENERAL OPERATING SAFETY PROCEDURES

Make sure that the power is switched on and the parking brake is applied before mounting or dismounting from the scooter. Be careful not to touch the wigwag paddle whilst mounting or dismounting the scooter. Once you have dismounted switch the unit off and remove the key. Please also read the Handbrake section on page 6.

For your health and comfort, make sure that you adopt a comfortable posture and that you can operate the controller unit with ease.

The scooter is not designed with lights and is not capable of using add-ons so the scooter cannot be used at night. The Travelease can mount obstacles up to 30mm high. Do not mount higher obstacles than this. Be sure to mount obstacles (such as kerbs) at a slow speed and head on (i.e. Not at an angle) to prevent injury or damage.

### EMERGENCY BRAKING

To apply emergency braking whilst using the scooter release the grip on the paddle control and pull the hand operated brake on the handlebar.

### TURNING AND USING ON A GRADIENT GUIDELINES

Avoid sharp turns at high speed as this could result in the scooter tipping. This is especially relevant when turning on a gradient.

The scooter has been designed to climb gradients up to a maximum of 7 degrees (1 in 8). However, other factors such as the surface of the gradient or the attributes of the user can vary this figure. If you are in any doubt about travelling up or down a gradient please find an alternative route. Do not attempt to turn the scooter around whilst on a gradient. Always turn on flat and level ground.

## ELECTROMAGNETIC INTERFERENCE

Powered wheelchairs / scooters may be susceptible to electromagnetic interference (EMI), which is interfering electromagnetic energy (EM) emitted from sources such as radio stations, TV stations, amateur radio (HAM) transmitters, two-way radios and cellular telephones.

The interference from radio sources can cause the powered wheelchair / scooter to release its brakes, move by itself or move in unintended directions. It can also permanently damage the main control system. The intensity of the interfering EM energy can be measured in volts per metre (V/m). Each powered wheelchair / scooter can resist EMI up to a certain intensity. This is known as the units 'immunity level'. The higher the immunity level, the greater the protection. At this current time, current technology is capable of achieving at least a 20 V/m immunity level, which would provide useful protection from the common sources of radiated EMI.

Because EM energy rapidly becomes more intense as one moves closer to the transmitting antenna (source), the EM fields from hand-held radio sources (transceivers) are of special concern. It is possible to unintentionally bring high levels of EM energy very close to the powered wheelchair's or scooter's control system whilst using these devices.

The sources of radiated EMI can be broadly classified into three types:

1. Hand-held portable transceivers (transmitters-receivers) with antenna mounted directly on the transmitting unit. Examples include citizens' band (CB) radio, 'walkie talkies' security, fire and police transceivers, cellular (mobile) telephones and other personal communication devices.  
NOTE: Some cellular telephones and similar devices transmit signals while they are ON, even when not being used.
2. Medium-range mobile transceivers, such as those used in police cars, fire engines, ambulances and taxis. These usually have the antenna mounted on the outside of the vehicle.
3. Long-range transmitters and transceivers, such as cordless phones, laptop computers, AM/FM radios, TV sets, CD players and cassette players, and small appliances such as electric shavers and hairdryers, so far we know, are not likely to cause EMI problems to your powered wheelchair / scooter.

Following guidelines set out below should reduce the chances of unintended brake release or powered wheelchair / scooter movement, which could result in serious harm or injury.

1. Do not operate hand-held transceivers, such as citizens' band (CB) radios, or turn ON personal communication devices such as cellular telephones, while the powered wheelchair / scooter is turned ON.
2. Be aware of nearby transmitters, such as radio or TV stations, and try to avoid coming close to them.
3. If unintended movement or brake release occurs, turn the powered wheelchair / scooter OFF as soon as it is safe to do so.
4. Be aware that adding accessories or components, or modifying the powered wheelchair / scooter, may make it more susceptible to EMI.
5. Report all incidents of unintended movement or brake release to the powered wheelchair / scooter manufacturer, and note whether there is a source of EMI nearby.

## ASSEMBLING THE TRAVELEASE (steel)

Unscrew the knurled knob from the seat holder tube and remove the seat. Insert the seat into the holding tube and screw in the knurled knob to secure the seat in position.

Unscrew the adjustment handle on the front tiller and adjust the tiller to suit the user. Retighten the adjustment handle to secure.

## DISASSEMBLING AND TRANSPORTING THE TRAVELEASE (steel)

To disassemble, unscrew the knurled knob and remove the seat. Unscrew the adjustment handle on the tiller and fold the tiller down towards the seat. Place the seat in the storage position, ensuring the seat stem passes through the loop bracket on the front tiller. The Travelease should now look like in photograph 1 below.

Remove the batteries (optional). Remove the seat locking bracket and rear shroud, undo the quick release battery connectors by pulling the connectors apart (see photograph 3 on page 5). Lift up the batteries and replace rear shroud and seat locking batteries.

When in the storage configuration, the Travelease can be freewheeled using the anti tip wheels at the rear. To do this, hold up the front end of the Travelease by the carry handle and drag, as shown in photograph 2 below.

Photograph 1



Photograph 2



Photograph 3



Push/pull battery pack into the battery bracket

Photograph 4



Lock luggage lag around the seat post

Photograph 5



Push the power connectors together

## ASSEMBLING THE TRAVELEASE (aluminium)

Ensure the scooter remains switched off. Unscrew the knob on the seat lock bracket and remove seat stem. Loosen the tiller handle and pull up the tiller until it is in a comfortable operating position. Lock the tiller by tightening the handle.

Insert the batteries (optional). Unlock the seat lock bracket (see photograph 1 on page 5) and remove the seat lock bracket (see photograph 2 on page 5) and rear shroud. Insert the batteries in to the scooter, connect the batteries back up, ensuring you connect the white connector to the white connector, and the black connector to the black connector. Replace the seat lock bracket and rear shroud.

Finally insert the seat and lock the seat lock bracket.

## DISASSEMBLING AND TRANSPORTING THE TRAVELEASE (aluminium)

To disassemble, switch off the scooter. Unlock the seat locking bracket, by pushing the handle away from the seat stem (see photograph 1 on page 5) and remove seat.

Lock the seat locking bracket and insert stem into the tubing of the bracket. Secure the seat stem by tightening the knob attached to the bracket.

Loosen the tiller lock with the handle then pull the tiller down until the seat stem can be inserted in the loop of the handle bar.

Lock the tiller by tightening the tiller handle. The Travelease should now look like photograph 3 on page 5.

Photograph 1



Unlocking seat lock bracket

Photograph 2



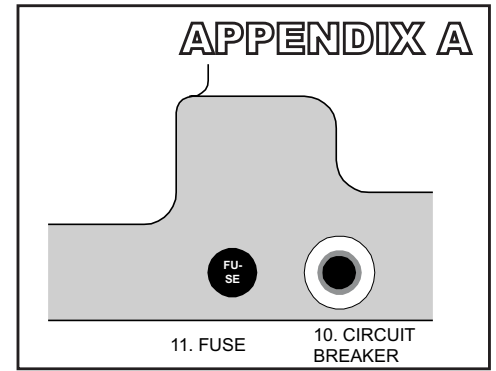
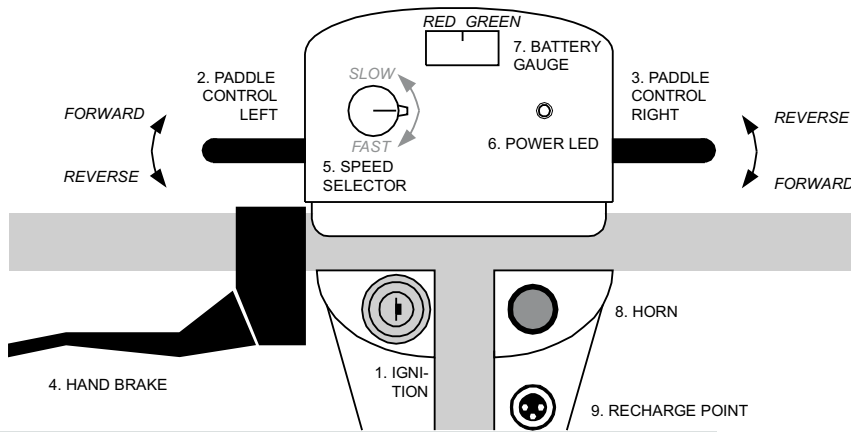
Removing seat lock bracket

Photograph 6



In transit mode





1. Ignition. Turn the key supplied in the ignition to switch on the scooter.
2. Paddle control - Left. Squeeze the left paddle control to go in a reverse direction, and release the paddle control to stop.
3. Paddle Control - Right. Squeeze the right paddle control to go in a forward direction, and release the paddle control to stop.
4. Hand brake. Pull the brake to slow down and stop. To use the handbrake as a parking brake, pull the brake on whilst pushing the brake pin down. Release the handbrake to lock the pin and apply parking brake. To unlock the parking brake, squeeze the handbrake until the locking pin pops up. Please also refer to the section on Personal Safety on page 3.
5. Speed Selector. Rotate this dial to determine the speed of the scooter. The tortoise symbol

Please note: Performance of the handbrake/parking brake will be reduced if the force required to apply the brake is adjusted. Please refer to page 7 (Care and Maintenance) and consult your dealer if necessary.

6. Power LED. When this LED is illuminated constantly it means the scooter is on and ready to use.
7. Battery Gauge. The battery gauge shows how much power there is left in the battery when the scooter is in operation and moving. The further to the right that the needle is, the more power there is in the battery. When the needle on the battery gauge is constantly in the red, recharge the batteries (see *Battery Charging* section).
8. Horn. Press to sound the horn when the scooter is switched on.
9. Recharge Point. For information on how to use this, see *Battery Charging* section.
10. The circuit breaker reset (shown in Appendix A). To reset the circuit breaker, push the reset button.
11. The main fuse (shown in appendix A). Please refer to an authorised dealer for any problems with the main fuse.

denotes the slowest setting and the hare symbol denotes the fastest setting. Turn the dial anticlockwise to go slower and turn the dial clockwise to go faster.

## BATTERY CHARGING

The Travelease comes complete with two 12V 8ah sealed lead acid batteries (installed) and a battery charger and mains lead.

To charge the batteries:

1. Switch the scooter off with the ignition key
2. Plug the battery charger into the recharge point as shown in the *control functions description* section.
3. Plug the mains lead into the charger and then plug the mains plug into the power socket and switch on the power, then finally switch the scooter back on.
4. Leave the batteries to charge for 12 hours.

### Safety Precautions

- Do not stand the battery charger on a carpet or other furnishing when in use.
- Always place on a hard surface in a well-ventilated area.
- Do not expose any part of your charger or battery to direct heat (e.g. a naked flame or gas / electric fire)
- Do not use your battery charger outdoors

### Changing the batteries

If necessary, the batteries should only be replaced with Medicare Technology 8ah sealed lead acid batteries. The batteries should only be changed by a Medicare Technology service dealer.

## CARE AND MAINTENANCE

- Clean the Travelease with a damp cloth and dust down approximately once a week to preserve the appearance of the Travelease.
- Adjust the tiller height and return to the original position and swivel the seat once a week to ensure the parts adjust and remove smoothly and easily when required.
- Check for signs of wear and tear on the tyres and the upholstery on a regular basis.
- For optimum performance and to increase the lifespan of your scooter, it is recommended that you have your scooter serviced once a year by your dealer.
- The handbrake should be checked on a regular basis for braking force. The handbrake should be able to hold the user and Travelease on gradients up to 7 degrees (1 in 8) both in park mode and general braking mode whilst remaining easy to operate. The brake cable should be checked for wear. The braking force is determined by the tautness of the brake cable. If the brake cable is not taut or braking force is lacking then the cable should be adjusted. For details on how to adjust the brake cable please contact your Medicare Technology dealer.

## BATTERY MAINTENANCE

As with most electrically powered mobility products the crux of the performance lies in the treatment of the batteries. Although sealed batteries are known as zero maintenance that only refers to the acid level inside the battery. They must still be very well maintained in terms of charging.

### Charging Procedure

The rule to follow regarding charging is as follows. Any time that the scooter has been used, even for ten minutes, it should be put through a charging cycle, not charged for only a couple of hours. This particular instruction requires following to the letter as partial charging can actually damage the battery. Also, if either of the batteries was to fail under a year, and no bad cell was evident, they would not be honoured by the manufacturers' warranty as there was no defect with the product.

If the vehicle has not been used for a period of 2 weeks or more it is again worth putting it through a charging cycle just to maintain the optimum performance of those batteries. If the product is not going to be in use for a period of two weeks or longer, it is advisable to disconnect the batteries so that they do not run down.

Symptom	Remedy
The scooter will not switch on	<ul style="list-style-type: none"><li>● Try recharging the battery</li><li>● Try resetting the circuit breaker</li></ul>
The scooter switches on, but the scooter will not move.	<ul style="list-style-type: none"><li>● Ensure there is enough power in the batteries. If not, recharge the batteries.</li><li>● Ensure the hand brake is not on.</li></ul>
The scooter appears slow	<ul style="list-style-type: none"><li>● Check the battery power level and recharge.</li></ul>
The seat turns when in operation	<ul style="list-style-type: none"><li>● Slowly rotate the seat until it drops in to place and is secure.</li></ul>
The handlebar appears loose	<ul style="list-style-type: none"><li>● Tighten the height adjustment handle to secure the handlebar.</li></ul>

If these problems persist or you have any other problems, please contact your local Medicare Technology service dealer.

Please also consult your Medicare Technology service dealer for information on repairs and spare parts.

# SERVICE RECORD

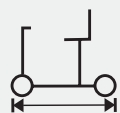
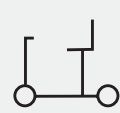
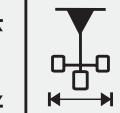
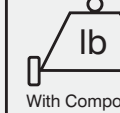
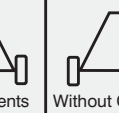
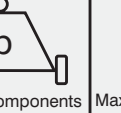
YEAR	1	2	3	4	YEAR	1	2	3	4
Service Dates					Service Dates				
Controller					Upholstery				
On/off switch					Seat				
Joystick					Back				
Braking					Armrests				
Recharge point					Electrics				
Batteries					Connections condition				
Levels					Lights				
Connections					Test run				
Discharge test					Forwards				
Wheel and Tyres					Reverse				
Wear					Emergency stop				
Pressure					Left turn				
Bearings					Right turn				
Wheel nut					Slope test				
Motors					Over obstacles				
Wiring					List Items repaired				
Noise									
Connections									
Brake cable									
Brushes									
Chassis									
Condition									
Steering									

Customer Name	Date of purchase
Address	Colour
	Serial No.
	Options included
Postcode	

Dealer Stamp	Dealer Stamp
Sign and Date	Sign and Date
Dealer Stamp	Dealer Stamp
Sign and Date	Sign and Date



# SPECIFICATION

CODE	DESCRIPTION				 With Components	 Without Components	 Maximum Capacity
MS001	Steel Travelease Miniscooter	91cm	80cm	56cm	24kg (52.9lbs)	19.5kg (42.9lbs)	89 kg (14 stone)
MS002	Aluminium Supreme Travelease Miniscooter	97cm	80cm	54cm	25.5kg (56.2lbs)	16.5k (36.4lbs)	115 kg (18 stone)

# WARRANTY

## TRAVELEASE WARRANTY

There is a comprehensive twelve month warranty from the date on which your new Travelease scooter is delivered. The warranty covers the scooter for repairs or replacement during this period. For more detail, please see the Warranty Conditions below.

### Warranty Conditions:

1. Any work or replacement part installation must be carried out by an authorised Medicare Technology dealer / service agent.
2. To apply the warranty should your scooter require attention please contact the designated service agent listed below.
3. Should any part of the scooter require repair or full or part replacement, as a result of a manufacturing or material defect within twelve months of receiving the scooter, the work will be carried out free of charge.

Note: The guarantee is not transferable

4. Any repaired or replaced parts will be covered by this warranty for the balance of the warranty period on the scooter.
5. Parts replaced after the original warranty has expired will be covered by a three months warranty.
6. Consumable items supplied will not generally be covered during the normal warranty period unless such items require repair or replacement clearly as a direct result of a manufacturing or material defect.

Such items include (among others): upholstery, tyres and batteries.

7. The above warranty conditions apply to brand new scooters purchased at the full retail price. If you are unsure whether your scooter is covered, check with the service agent.
8. Under normal circumstances, no responsibility will be accepted where the scooter has failed as a direct result of:
  - a) The scooter part not having been maintained in accordance with the manufacturer's recommendations.
  - b) Failure to use the manufacturer's specified parts
  - c) The scooter or part having been damaged due to neglect, accident or improper use
  - d) The scooter or part having been altered from the manufacturer's specifications or repairs having been attempted before the service agent is notified

Please note your local service agent's contact details in the box below. In the event of your scooter requiring attention, contact them and give all relevant details so they can act quickly.

The manufacturer reserves the right to alter without notice any weights, measurements or other technical data shown in this manual. All figures, measurements and capacities shown in this manual are approximate and do not constitute specifications.

Medicare Technology authorised Service Agent

Name
Address
Tel
Postcode

PART CODE:  
Z40999 REV B