

telecare-enabled  
**aquila**<sup>™</sup>  
bath lift

**aquila**<sup>™</sup>  
bath lift

# Operating instructions

  
bringing independence to life

# Operating Instructions

**Please ensure both yourself and any helpers read these instructions carefully before using your bath lift. These operating instructions should be retained for future reference.**

This bath lift is designed and manufactured to assist individuals in getting in and out of the bath. It should not be used for any other purpose. Do not use it in combination with other lifting or moving devices. If you are unable to get out of the bath unaided, do not bathe without someone on call to help in an emergency.

## Contents

### Unpacking the bath lift

1. Unpacking the bath lift .....	<b>3</b>
----------------------------------	----------

### Before you start

2. Charging the battery .....	<b>3</b>
3. If you have a telecare -enabled bath lift .....	<b>4</b>
4. Preparing the bath for installation .....	<b>5</b>
5. Installing the bath lift .....	<b>5</b>

### Using the bath lift

6. Connecting the hand control .....	<b>6</b>
7. Using the bath lift .....	<b>7</b>

### Removing and storing the bath lift

8. When the bath lift is not in use .....	<b>8</b>
9. Removing the bath lift from the bath .....	<b>8</b>
10. Cleaning .....	<b>9</b>

### Warranties, maintenance & servicing

11. Maintenance and servicing .....	<b>9</b>
12. Warranty .....	<b>10</b>

### Symbols

13. Symbols .....	<b>10</b>
-------------------	-----------

### Technical data

14. Technical data .....	<b>11</b>
--------------------------	-----------

### Troubleshooting

15. Troubleshooting .....	<b>13</b>
---------------------------	-----------

### Parts list

16. Accessories .....	<b>16</b>
17. Parts list .....	<b>18</b>

# Diagrams for operation and explanation of use are on the fold-out diagram sheet attached to the rear of this booklet

## 1. Unpacking the bath lift

Open the packaging and ensure the bath lift is not damaged and that all parts are included. If it has been damaged in transit, or parts are missing, contact your supplier immediately.

Inside the box you will find:

- A bath lift, complete with two side flaps and hand control attached (**see fig 1**)
- Side flap protectors x 2 (**see fig 1**)
- A battery (**see fig 2**)
- Battery charger with charging cradle attached (**see fig 2**)

We suggest that the bath lift is always separated and carried as two lighter, individual sections.

- i) Upon opening the packaging, pick up the backrest assembly (**see fig 1**) until it is free of the seat unit (**see fig 1**).
- ii) Place the backrest assembly carefully to the side out of the way.
- iii) Now lift the seat unit out of the packaging.

Before installing or using the bath lift for the first time, ensure you charge the battery (see section 2, "Charging the battery" below).

## 2. Charging the battery

**Before first operation of your bath lift or after long periods of non-use (typically 7-10 days), fully charge the battery as follows. A flat battery will take up to 2 hours to charge.**

- i) Slide the battery into the track on the charging cradle until it clicks into place (**see fig 2**).
- ii) Plug the charger into the mains socket outside the bathroom and switch on the electricity supply.
- iii) The light indicator on the charger box will initially flash in a quick sequence of red, green, red, green, before a constant red light appears to indicate charging is in progress (**see fig 2**).
- iv) When the battery has been fully charged, the red light on the charger box turns to a constant green light, which indicates the battery is ready for use, and can remain continuously on charge until you are ready to take your bath.
- v) When you are ready to use your fully charged battery (see paragraph iv), switch off the mains socket or remove the charger from the mains socket, **then ensure you disconnect the battery from the charging cradle.** (This prevents the battery discharging and will reset the charger ready for its next use.)

We recommend charging the battery after each bath wherever possible and leaving it on charge until your next bath. The battery cannot be overcharged.

**NOTE:**

- Do not charge in the bathroom or any humid area. Always charge in a dry area, ensuring your hands are dry first.
- Do not cover the battery or charger whilst charging.
- Always charge on a hard surface.
- During charging, the temperature of the charger box may exceed 40°C but will gradually decrease once the constant green light on the box appears. Users with sensitive/damaged skin should take care and allow approximately 3 hours from start of charging before handling the box.
- Ensure that no metal objects touch the contacts on the battery, as this will damage the battery.
- Use only the Mountway charger supplied to charge the battery and for no other purpose.

### 3. If you have a telecare-enabled bath lift

The telecare-enabled bath lift has been designed to integrate with the Tunstall Lifeline 400, 4000+ and Connect+ units. The telecare-enabled bath lift can be added to an existing monitoring solution or as part of a new installation to suit individual needs.

If you have a telecare-enabled bath lift, you will find a telecare-enabled battery inside your bath lift box rather than the standard battery (**see fig 3**).

#### **Programming the telecare-enabled bath lift to Tunstall 400, 4000+ and Connect+ home units**

- i) Press and hold down the green cancel key located on the Lifeline unit (**see fig 4**) until it beeps (approx. 5 seconds), then release the green cancel key and the Lifeline unit will beep twice. The red alarm button will flash slowly.
- ii) Press the green cancel key again until the Lifeline unit beeps, then release the cancel key and the Lifeline unit will beep twice. The red alarm button will now flash rapidly.
- iii) Press the red button on the end of your bath lift's telecare-enabled battery (**see fig 3**) and a red light will illuminate at the end of the battery. The Lifeline unit will beep to confirm acceptance.
- iv) Press and release the green cancel key on the Lifeline unit and the unit will beep.
- v) Make a test call using the programmed telecare-enabled battery (**see fig 3**) by pressing its red button and ensure it raises an alarm call.

#### **Making an alarm call**

- i) To raise an alarm while using the bath lift, press the red button on the end of the battery (**see fig 3**). This will allow you to talk to the control centre operator 'hands free' using the powerful speaker and microphone of the Lifeline 400, 4000+ and Connect+.
- ii) The control centre operator will summon the appropriate assistance from your carer, warden or emergency services.

**NOTE:**

An alarm call cannot be raised unless a Tunstall Lifeline 400, 4000+ or Connect + home unit is installed in your home and the telecare-enabled battery is programmed correctly to this home unit (see section “Programming the telecare-enabled bath lift to Tunstall Lifeline 400, 4000+ and Connect+ home units” above).

## 4. Preparing the bath for installation

- i) Remove any non-slip mats from the bath.
- ii) Ensure the bottom of the bath is clean and smooth, with no oil or bath cleaner residues that will prevent the suction feet from sticking.
- iii) The suction feet may not be suitable in baths that have been re-enamelled or that have rippled or textured surfaces. For some baths with rippled or textured surfaces, the front suction feet (**see fig 7**) can be relocated to the middle of the bath lift base frame, to clear the bath’s textured area. A centre sucker fixture kit is available for this purpose (see section 16, “Accessories”).
- iv) It is essential that the side flaps do not catch under any obstructions such as integral bath handles, handrails, soap dishes and taps when rising. If your bath has integral handles, hook the side flap protectors over them (**see fig 1 and fig 5**) to prevent the side flaps from catching.

## 5. Installing the bath lift

- i) If your bath lift is supplied with optional soft or cushioned covers, fit them at this stage (see cover fitting instructions).
- ii) Place the backrest assembly carefully on the floor when not attached to the seat unit. The actuator (i.e. drive unit) attached to the rear of the backrest forms a useful handgrip for transporting (**see fig 6**).
- iii) Pick up the seat unit, ensuring you do **NOT** use the sucker release handle to carry it (**see fig 7**).
- iv) Place the seat unit in the bottom of the bath and as far back as possible at the opposite end to the taps.
- v) Before fitting the backrest assembly to the seat unit, ensure the actuator end is fully retracted behind the clamp at the bottom of the backrest (**see fig 8**).

**NOTE:**

If the actuator end is not fully retracted behind the clamp, connect the charged battery to the hand control (see section 6, “Connecting the hand control”) and press the DOWN button on the hand control (see section 7, “Using the bath lift”) until the actuator fully drives down into its correct position behind the clamp (**see fig 8**). Then **immediately** disconnect the battery from the hand control before continuing to assemble the backrest.

- vi) Place the backrest assembly face down onto the seat unit, whilst aligning the hinges at the bottom of the backrest with the slots located at the rear of the seat unit (**see fig 9**).

- vii) Ensure the backrest hinges locate into BOTH slots, with the bottom edge of the backrest positioned in front of the two blocks (**see fig 9**).
- viii) Release the hand control cable from the cable winders on the rear of the backrest (**see fig 6**).
- ix) Hold the top of the backrest and lift upwards until the backrest rests in the fully reclined position. Check the hinges are still located in both seat unit slots.

**NOTE:**

- If either backrest hinge has detached from the slots during assembly, the blocks at the rear of the seat unit should guide them back into position.
- If the backrest is forced **OVER** either block, it will not be assembled correctly and the bath lift **SHOULD NOT** be used. Follow steps **vi** to **ix** again if this occurs.

- x) If the backrest or actuator rests on the bath or wall, move the bath lift slightly forward until there is enough clearance for the backrest to fully recline.
- xi) Unfold the two side flaps so they rest against the sides of the bath. (Side flaps ease transfer on and off the bath lift and also prevent finger entrapment). If side flap protectors are required and have been fitted to integral bath handles, ensure the two side flaps are resting substantially on them (**see fig 10**). If the side flaps are still likely to catch under handles, move the side flap protectors as far as possible along the handles until the side flaps are over them (**see fig 10**). If this still does not improve the flaps' position on the side flap protectors, move the bath lift slightly forward in the bath. Alternatively, a side flap protector extension kit is available (see section 16, "Accessories").
- xii) Now press firmly down on the seat unit, ensuring all four suction feet are attached to the bath surface. All suction feet swivel and can stick to the contours of the bath as required.
- xiii) Fill the bath with water to the required level ensuring the actuator casing (**see fig 6**) is not submerged in water. Check that the water temperature is not too hot before using the bath lift.
- xiv) The battery can now be connected to the hand control on your bath lift (see section 6, "Connecting the hand control").

**NOTE:**

Do not connect the battery to the hand control until the backrest is fully assembled to the seat unit.

## 6. Connecting the hand control

**NOTE:**

If the battery has not been used before or has not been used for a long period (typically 7-10 days), ensure you place it on charge before using the bath lift.

- i) Slide the fully charged battery into the tracks on the hand control (**see fig 11**) until it clicks into place.
- ii) Always check the battery status indicator on the hand control before using the bath lift (**see fig 12**). Press the UP button and observe the following guidelines:

- If GREEN light, proceed with your bath, provided the battery has been charged within the last 7-10 days.
- If FLASHING GREEN LIGHT, proceed with your bath, provided the battery has been charged within the last 7-10 days. Then charge immediately afterwards (see section 2, "Charging the battery").
- If RED light, do **NOT** use the bath lift. Charge **IMMEDIATELY** (see section 2, "Charging the battery").
- If in any doubt, recharge the battery before use (see section 2, "Charging the battery").

**NOTE:**

The battery is for use solely with Mountway bath lifts and cannot be used to operate any other product.

## 7. Using the bath lift

- To raise the bath lift, press the UP button on the hand control (**see fig 12**). If the side flaps are caught on any obstruction, immediately lower the bath lift by pressing the DOWN button on the hand control. Pull each side flap free from the obstruction, then resume the lifting operation.
- As the bath lift reaches the top of the bath, the side flap on the side you will be getting on will fold out to form a transfer platform.
- When the bath lift's seat and side flap are level with and supported by the top of the bath, release your finger from the UP button and the bath lift will stop.
- Sit on the side flap and move onto the seat, ensuring no part of your body can become trapped as you do so. You may find it easier to transfer if you wet the seat and the side flaps first. A slide and swivel aid is available, should you find transferring difficult (see section 16, "Accessories"). Turn as you lift each leg over the side of the bath then make yourself comfortable on the seat.
- Before lowering the bath lift, extend your feet out in front of you and keep hands above the seat to avoid any risk of entrapment.
- To lower yourself to the bottom of the bath, press the DOWN button on the hand control (**see fig 12**). When the button is released, the bath lift will stop and remain at that position until the button is pressed again.
- When you have reached the bottom of the bath, continue to press the DOWN button to begin the backrest reclining. Release the DOWN button when you find your desired recline position. Maintain pressure on the DOWN button to stop the backrest at its fully reclined position. To reduce the backrest angle, press the UP button.
- Whilst bathing, you may use the suction cups on the battery to attach the hand control and battery to the edge of the bath or to a tiled wall. **If the hand control and battery fall into the water, there is NO danger as both are waterproof. Ensure you wipe the battery dry before charging.**
- When you have finished bathing, retrieve the battery and hand control from where you stored it by pulling the tags on the suction cups. Press the UP button to raise the bath lift. The backrest will move into the upright position first, then the bath lift will begin to rise. When the button is released, the bath lift will stop and remain at that position until the button is pressed again.

- x) Once the side flaps are level with the top of the bath, remove your finger from the UP button and move sideways onto the side flap.
- xi) Turn whilst lifting each leg out of the bath.
- xii) Drain the bath.

**NOTE:**

- If the RED light appears on the hand control whilst lowering, the bath lift will not go down any further. If this happens, press the UP button and the bath lift will raise you to the top of the bath. Charge the battery **immediately**.
- In the event of an emergency, sliding the battery out of the hand control can instantly terminate all bath lift movement.
- When the bath lift reaches its maximum limit of travel (up or down), there will be a short delay before it will operate again.
- The bath lift is not designed for continuous operation. Allow at least 15 minutes between baths.
- Do NOT allow the actuator behind the backrest to be placed under a constant flow of water (e.g. running tap) and ensure it is not totally submerged in water.

## 8. When the bath lift is not in use

- i) If you wish to clean the bath lift whilst it is in the bath (see section 10, "Cleaning"), we recommend doing so when it is at its highest position in the bath. This allows access for cleaning both the bath and the underside of the bath lift.
- ii) If the bath lift is stored in the bath, lower it to the bottom of the bath until the backrest fully reclines.
- iii) Disconnect the battery and place on charge ready for your next bath (see section 2, "Charging the battery"). **Note:** If not charging after each bath, ensure you **leave the battery connected to the hand control**. Disconnect from the hand control only if the bath lift is being removed from the bath.

## 9. Removing the bath lift from the bath

- i) Ensure the bath lift is in its lowest position with the backrest fully reclined.
- ii) Remove the battery from the hand control.
- iii) Fold both side flaps onto the seat.
- iv) Fold the backrest forward until it lies flat on the seat.
- v) Wind the hand control cable around the cable winders on the rear of the backrest, then attach to the retainer clip (**see fig 13**). This will prevent potential damage to the hand control caused by the trailing cable.
- vi) Hold the actuator and lift the backrest assembly upwards and clear of the seat unit and place the backrest carefully on the floor out of the way.
- vii) Pull the sucker release handle attached to the rear suction feet at the back of the seat unit and the rear feet will be released (**see fig 14**).



- viii) Now hold the rear of the base frame, **NOT** the sucker release handle, and tilt the seat unit forward until the front suction feet automatically release.
- ix) Firmly grip the base frame by the rear, and lift out of the bath.
- x) The bath lift may be stored with the backrest folded flat onto the seat unit.  
The backrest will not be locked to the seat in this position and care should be taken whilst handling.

**NOTE:**

- Do not attach the battery to the hand control when the backrest is folded flat.
- Only operate the bath lift when the backrest is assembled and locked to the seat unit.

## 10. Cleaning

Clean the bath lift as frequently as you clean your bath, using non-abrasive cleaners.\* If used communally, we recommend disinfecting the bath lift after each use. SOLVENT-based cleaners, such as white spirit, should NOT be used.

- To disinfect the bath lift, use a soft brush or cloth and wipe down with a sterilising solution or anti-bacterial cleaner. Rinse the product with clean water, then wipe and dry using a clean cloth.
- Bath/medicinal oils and other solutions are easily removed with washing-up liquid. Do not allow oils or other additives to build up. They should be removed frequently otherwise, over the course of time, they may lead to degradation of the suction feet and/or discolouration of the bath lift.
- The bath lift can be cleaned in an automated washing machine (to a maximum temperature of 73°C for 3 minutes), however the battery **MUST** be removed and washed by hand. The battery must not be subjected to high temperature cleaning.
- Do not clean or rinse the actuator under a constant flow of water, e.g. running tap, or totally submerge it in water.
- If your bath lift is fitted with comfort covers, ensure you remove them on a regular basis to clean the bath lift surfaces.

It is also advisable to clean the bath surface under the suction feet from time to time.

\* Cleaning agents should be used in accordance with their manufacturer's guidelines.

## 11. Maintenance and servicing

Repairs and servicing must be entrusted to a Mountway authorised dealer or engineer.

The bath lift should be inspected annually by a Mountway authorised dealer or engineer, who will check that there are no loose fittings or any other evidence of mechanical damage.

### Intended life - bath lift

The durability of the bath lift has been tested in accordance with BS EN 10535:2006 (Hoists for the transfer of disabled persons - requirements and test methods). If serviced and used in accordance with the operating instructions, the bath lift and all parts (excluding battery) will achieve 11,000 lifting cycles or 5 years' use, whichever is the soonest.

## Intended life - battery

It is essential that the operating instructions with regards to battery use and charging is adhered to. The battery life expectancy is 500 charge cycles or 1 year's use, whichever is the soonest. We recommend the battery be replaced accordingly in order to obtain the best performance from your bath lift.

## 12. Warranty

This product is sold with the benefit that, in the event of any defect of manufacture or material appearing on the frame within 5 years of the date of receipt of the product, the defect will be rectified free of charge, provided that:

- i) Reasonable evidence is provided (e.g. purchase invoice or delivery note) that the product was purchased not more than 5 years prior to the date of claim; and
- ii) The defect is not attributable to accidental damage (either in transit or otherwise), fair wear and tear, willful damage, misuse or unauthorised repair.

The battery is guaranteed for 1 year to power (when fully charged) one bathing cycle\* at full load (22 stone/140kg/308lbs). The actuator and consumables (e.g. suction feet and the charger) are guaranteed for 2 years.




Consumers' statutory rights are not affected.







### \*The bathing cycle:

For one bath, it is assumed that the bath lift will be raised from the bottom to the height of the bath and then lowered into the water supporting a person of up to 22 stone/140kg/308lbs. After bathing, the bath lift will raise the person to the height of the bath then it will be lowered to the bottom of the bath for storage.

## 13. Symbols

To comply with international standards for medical equipment, the following symbols are found on the bath lift's labels:

Symbol	Explanation
	Only direct current from a small battery is used to power your bath lift. There is NO connection to mains electricity when in use, so there is no risk of electric shock.
	The bath lift is categorised as type B medical equipment and meets international standards for electrical safety.
<b>IP66</b>	The bath lift is sealed to the international standards against the effects of water spray.
<b>IP67</b>	The battery is sealed to the international standards against the effects of immersion in water to a depth of 1 metre/39.37in.
<b>IP68</b>	The hand control is protected against long periods of immersion in water under pressure.
	This symbol is found on the hand control and means the light represents the battery status.

Symbol	Explanation
	PLEASE READ THE INSTRUCTIONS BEFORE INSTALLATION OR USE.
	Do not bin/dispose.
	Serial number.
	Re-order number.
	Maximum load – lifting capacity (person).
	Caution! Surface hot to touch.

## 14. Technical data

The bath lift seat is made of glass-filled polypropylene/nylon. The hand control and battery are made from ABS. The hand control button cover is made of Thermoplastic Elastomer.

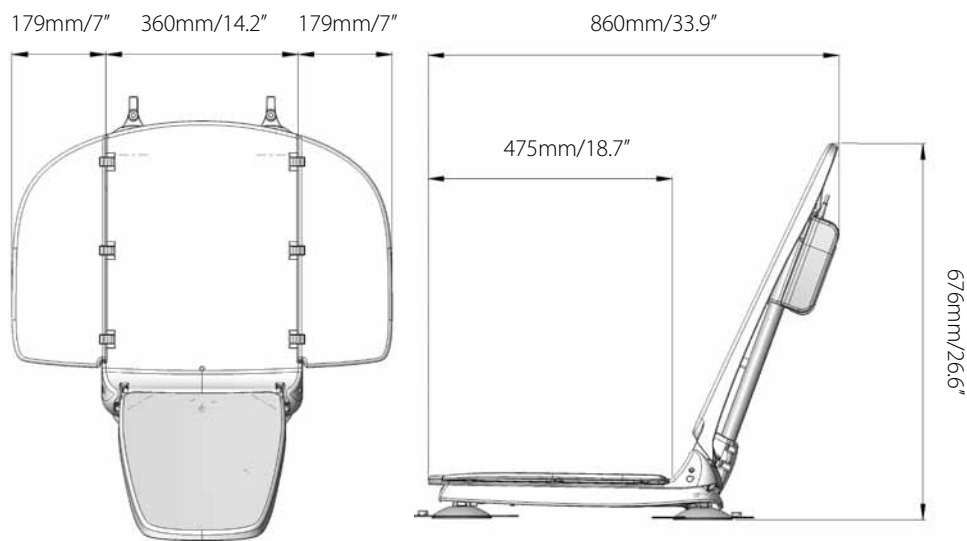
The bath lift is in the official category of “internally powered equipment” and is not suitable for use in the presence of flammable anaesthetic mixture with air or nitrous oxide.

The equipment is tested in accordance with:

- BS EN 60601-1: 2006
- BS EN 10535:2006
- The European Council Directive 93/42/EEC relating to Medical Devices

The bath lift complies with the WEEE directive.

**DISPOSAL:** The plastic, metal parts, packaging materials and suction feet are recyclable but the Nickel Metal Hydride (NiMH) battery, should be disposed of only by returning it to your supplier, the manufacturer or an authorised disposal point.



<b>Bath Lift</b>	
Lifting capacity (person)	22 stone/140kg/308lbs
Net weight (excluding battery)	9.6kg/21.16lbs
Seat base weight	6kg/13.23lbs
Backrest weight	3.6kg/7.94lbs
Seat height UP	440mm (17.32in)
Seat height DOWN	75mm (2.95in)
Backrest height	690mm (27.17in)
Power input	14.4V dc nominal 7A max
Duty cycle	No more than one bath per 15 minutes
Degree of protection	IP66
Angle of recline	35°
<b>Hand Control (Battery)</b>	
Input	14.4V dc nominal 1.0A
Output	14.4V dc nominal 7A max
Degree of protection	IP 68
Battery	IP67
<b>Battery Charger</b>	
Input	100-240V ac 50-60Hz 1.0A
Output	14.4V dc nominal 1.0A

## Operating and charging

<b>Temperatures</b>	
Max	40°C (104°F)
Min	0°C (32°F)

## Shipping and storage

Weight (packaged)	13kg (28.66lbs)
Shipping volume	0.07m <sup>3</sup> (2.48ft <sup>3</sup> )
<b>Temperatures</b>	
Max	40°C (104°F)
Min	-10°C (14°F)
<b>Humidity</b>	
Max	90% RH
Min	10% RH
<b>Pressure</b>	
Max	125kPa (18.4psi)
Min	73kPa (10.7psi)

**This product is suitable for transport in pressurised aircraft holds.**

# 15. Troubleshooting

Symptom	Possible Cause	Solution	Section
<b>Bath lift does not move. No sound from the motor.</b>	• Battery is flat.	• Charge battery.	Section 2
	• Battery is not connected to hand control.	• Insert battery correctly into <b>both</b> tracks on hand control cradle and slide all the way to the end until it clicks.	Section 6
	• Not pressing correct area on hand control buttons.	• Press arrowhead on either UP or DOWN buttons. Continue to press.	Section 6
	• Faulty electronics in hand control.	• Contact supplier or authorised service/repair centre.	n/a
	• Battery fault.	• Contact supplier or authorised service/repair centre. Replace battery.	n/a
	• Actuator fault.	• Contact supplier or authorised service/repair centre.	n/a
<b>Red light on hand control is on and bath lift only moves up.</b>	• Battery is flat or has not been fully charged and Stop Descent™ has been activated to prevent the bath lift lowering.	• Charge battery immediately.	Section 2
<b>Red light on hand control is on but bath lift does not move.</b>	• Battery is flat and has not been charged for long period (typically 7-10 days).	<ul style="list-style-type: none"> <li>• Charge battery immediately.</li> <li>• Charge battery before use if bath lift has not been used for long periods (typically 7-10 days).</li> <li>• Do NOT start bath with RED light on hand control. Charge immediately.</li> <li>• Ensure battery is placed on charge as soon as you finish your bath if FLASHING GREEN light appears on hand control.</li> <li>• When bath lift is not in use, leave battery connected to hand control. Disconnect only for charging or when moving bath lift.</li> <li>• It is recommended the battery be charged after each bath, wherever possible.</li> </ul>	
	• Battery fault.	• Contact supplier or authorised service/repair centre.	n/a

Symptom	Possible Cause	Solution	Section
<b>Bath lift only moves intermittently.</b>	• Battery is not fully charged.	• Charge battery.	Section 2
	• Excessive user load.	• Do not use bath lift if you weigh over 22st/140kg/308lbs.	Section 14
	• Bath lift has encountered obstruction during lifting, e.g. integral bath handles, soap dish.	• Lower bath lift, pull flaps free from obstruction, then resume lifting operation. • Fit side flap protectors to any integral bath handles.	Section 7
<b>Battery does not appear to be charged.</b>	• Power to charger is not switched on.	• Ensure charger plug is connected to power socket and switch on. Check for light indicator on charger box.	Section 2
	• Battery is not connected correctly to charging cradle.	• Insert battery correctly into <b>both</b> tracks on charging cradle and slide all the way to the end until it clicks.	Section 2
	• Battery has discharged before use.	• <b>Ensure battery is disconnected from charging cradle when mains socket is switched off or when charger is removed from mains socket.</b> • Charge battery after long periods of non-use (typically 7-10 days).	Section 2
	• Interruption to mains power supply/faulty mains socket.	• Check for charger indicator lights at alternative power socket. • Check if other electrical appliances are working.	n/a
	• Charger fault.	• Contact supplier or authorised service/repair centre.	n/a
	• Battery fault.	• Contact supplier or authorised service/repair centre.	n/a
<b>Charger is plugged into power socket but charger indicator lights do not appear.</b>	• Battery is not connected correctly to charging cradle.	• Insert battery correctly into <b>both</b> tracks on charging cradle and slide all the way to the end until it clicks.	Section 2
	• Charger fault.	• Contact supplier or authorised service/repair centre.	n/a

Symptom	Possible Cause	Solution	Section
<b>No lights appear on hand control when buttons are pressed.</b>	• Battery is not connected correctly to hand control.	• Insert battery correctly into <b>both</b> tracks on hand control and slide all the way to the end until it clicks.	Section 6
	• Faulty electronics in hand control.	• Contact supplier or authorised service/repair centre.	n/a
<b>Backrest is not secure on seat unit.</b>	• Backrest not assembled correctly onto seat unit.	<ul style="list-style-type: none"> <li>• Ensure actuator end is fully retracted.</li> <li>• Place backrest face down on seat in front of rear seat blocks and ensure hinges locate in both seat unit slots.</li> <li>• Hold top of backrest and tilt upwards until it locks into fully reclined position.</li> </ul>	Section 5
<b>Suction feet will not stick to the bath surface.</b>	• Front suction feet are located over rippled surfaces.	• Contact supplier for advice on suitability of centre sucker fixture kit for use with your bath lift.	Section 4 & section 16
	• Base of bath too narrow - feet not making contact with bath surface.	• Seat is too wide for lower contours of bath. Contact supplier for advice on suitability of height adapter kit.	Section 16
	• Bath surface is dirty/dusty or enamel is worn.	• Clean bath surface and underneath suction feet before installing bath lift.	Section 4
	• Suction feet are old or damaged.	• Contact supplier or authorised service/repair centre for replacements.	n/a

## 16. Accessories

The bath lift can be supplied with a wide range of optional accessories:

Accessory	Part No.
<b>Pommel</b>	<b>AB248</b>
Separates legs for maintaining correct posture or improving hygiene access.	



Accessory	Part No.
<b>Knee wedge</b>	<b>AB249</b>
Supports legs, maintains correct posture or prevents sliding.	



Accessory	Part No.
<b>Soft cover set (back and seat)</b>	<b>AB224</b>
Increases comfort.	



Accessory	Part No.
<b>Cushioned cover set (back and seat)</b>	<b>AB225</b>
Provides even greater comfort.	



Accessory	Part No.
<b>Cushioned cover set paediatric (back and seat)</b>	<b>AB226</b>
For use with pommel and knee wedge.	



Accessory	Part No.
<b>Thoracic harness (including fixture kit)</b>	<b>Adult - AB232</b> <b>Child - AB231</b>
Helps maintain upper body posture or prevents slipping.	



Accessory	Part No.
<b>Carry bag</b>	<b>AB250</b>
Protects bath lift while travelling and facilitates transport.	





Accessory	Part No.
<b>Pelvic harness</b>	<b>Adult - AB230 Child - AB229</b>
Helps maintain body posture or prevents slipping	



Accessory	Part No.
<b>Slide and swivel aid</b>	<b>AB247</b>
Facilitates transfer on and off the seat. Must be used with seat cover.	



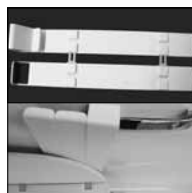
Accessory	Part No.
<b>Height adapter set (25mm/1in)</b>	<b>AB213</b>
Fits to the suction feet to increase height of bath lift in exceptionally deep baths	



Accessory	Part No.
<b>Centre sucker fixture kit</b>	<b>AB228</b>
Attaches front suction feet to middle of base frame in baths with rippled surfaces.	



Accessory	Part No.
<b>Side flap protector extension kit (non-hooking)</b>	<b>AB287</b>
Comprises 1 non-hooking side flap protector and 2 clips. Where a standard side flap protector cannot be moved further along an integral bath handle to enable the side flap to rest substantially over it, this kit enables an additional side flap protector to be attached beyond the end of the bath handle. This provides a substantial surface area for the side flap to glide smoothly over the bath handle. Use several kits to attach as many side flap protectors as required beyond the bath handle.	



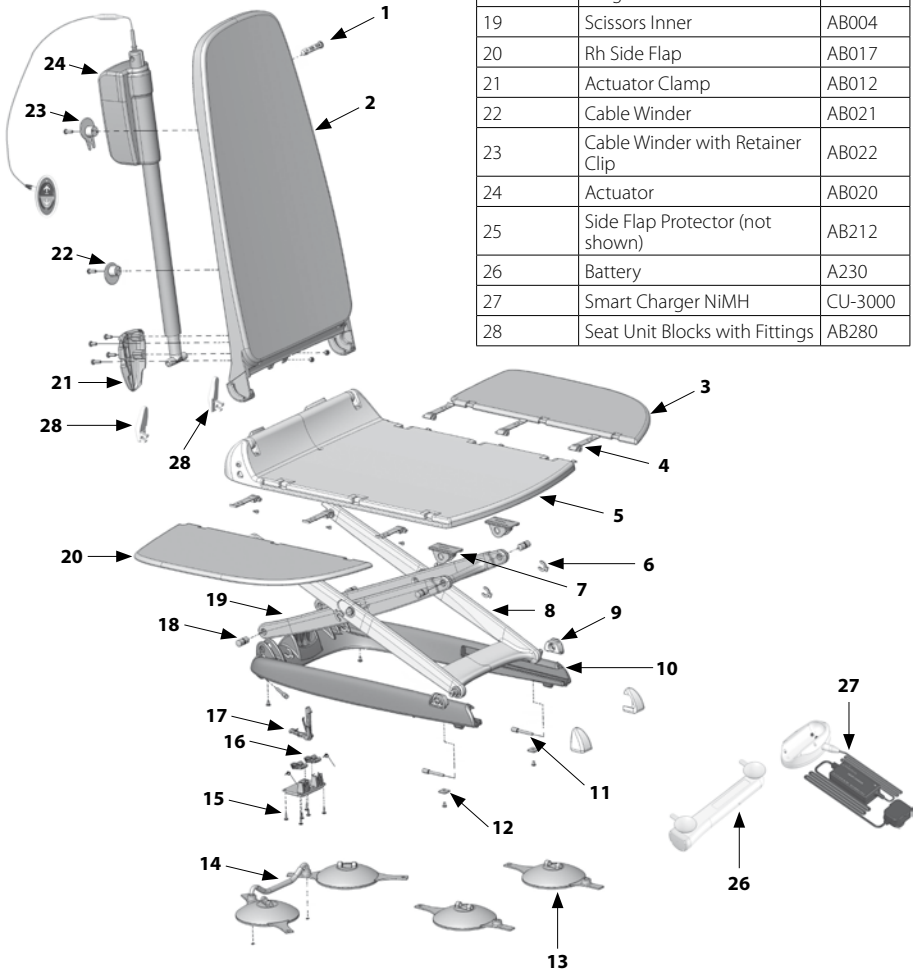
Accessory	Part No.
<b>Side flap protector extension kit</b>	<b>AB284</b>
Comprises 1 side flap protector and 2 clips. By attaching one or more side flap protectors together, a wider side flap protector can be formed over an integral bath handle. This limits the possibility of movement along the handle or incorrect positioning. Use several kits to attach as many side flap protectors as required to fit the handle length.	



# 17. Parts List

ITEM No.	Description	Part no.
1	Actuator Snap Pin	AB003
2	Backrest	AB014
3	Lh Side Flap	AB016
4	Hinge	A167
5	Seat with Blocks Fitted	AB281
6	Snap Washer	AB008
7	Slide Block Upper	AB007
8	Scissor Outer	AB005
9	Slide Block Lower	AB006

ITEM No.	Description	Part no.
10	Base Frame	AB018
11	Sucker Swivel Pin - Front and Rear	AB019
12	Rectangular Washer	AB010
13	Suction Foot (Front)	AB002
14	Rear Suction Feet Assembly	AB251
15	Cover Lock Levers	AB015
16	Actuator Lock Lever	AB011
17	Scissor Lock Lever	AB009
18	Hinge Pin Back and Front	AB001
19	Scissors Inner	AB004
20	Rh Side Flap	AB017
21	Actuator Clamp	AB012
22	Cable Winder	AB021
23	Cable Winder with Retainer Clip	AB022
24	Actuator	AB020
25	Side Flap Protector (not shown)	AB212
26	Battery	A230
27	Smart Charger NiMH	CU-3000
28	Seat Unit Blocks with Fittings	AB280



® Tunstall and Lifeline are registered trademarks of Tunstall Group Limited.

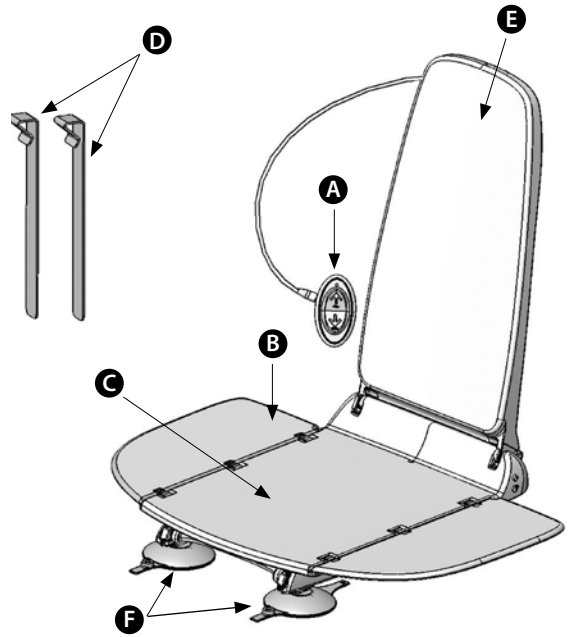
Mountway Limited reserve the right to alter specifications to products or packaging at any time.

Diagram sheet

# Figures

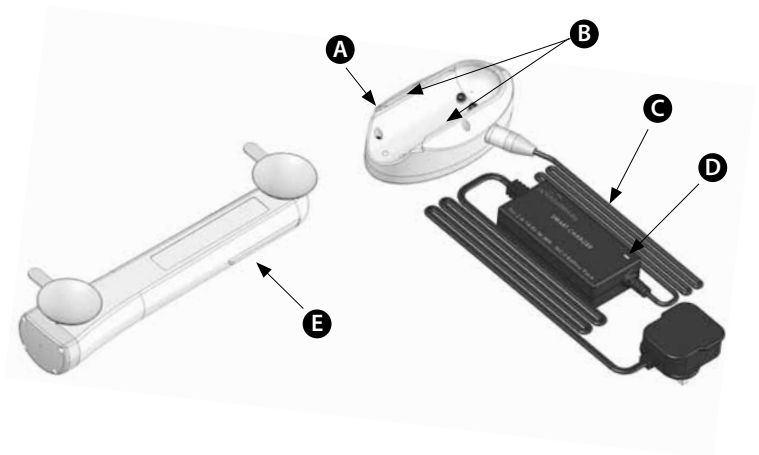
1

- A** Hand control
- B** Side flap
- C** Seat unit
- D** Side flap protectors
- E** Backrest assembly
- F** Front suction feet



2

- A** Charging cradle
- B** Tracks
- C** Charger
- D** Light indicator
- E** Battery

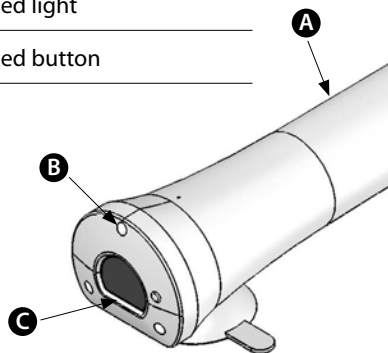


3

**A** Telecare-enabled battery

**B** Red light

**C** Red button

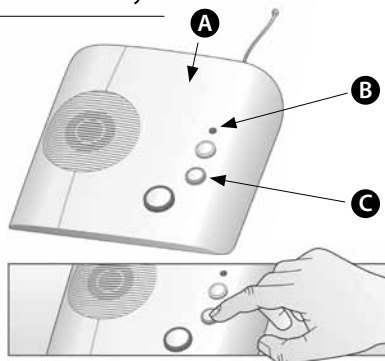


4

**A** Lifeline Connect+

**B** Red button alarm

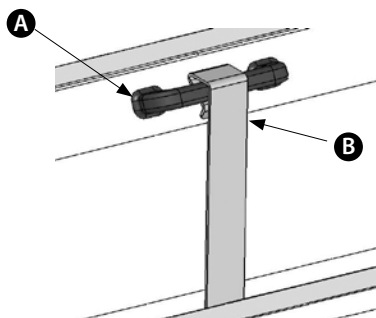
**C** Green cancel key



5

**A** Integral bath handle

**B** Side plap protector



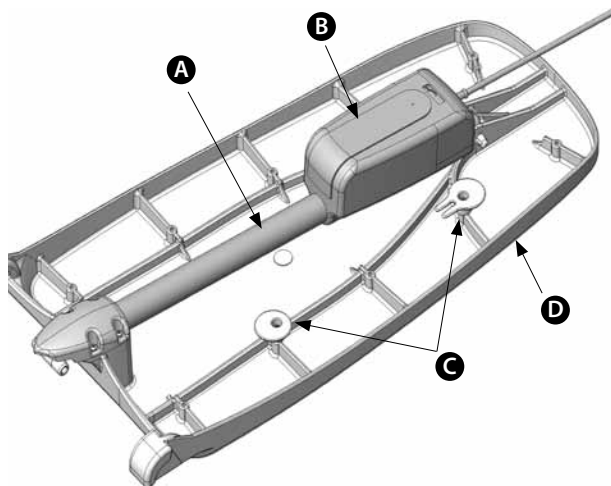
6

**A** Actuator

**B** Actuator casing

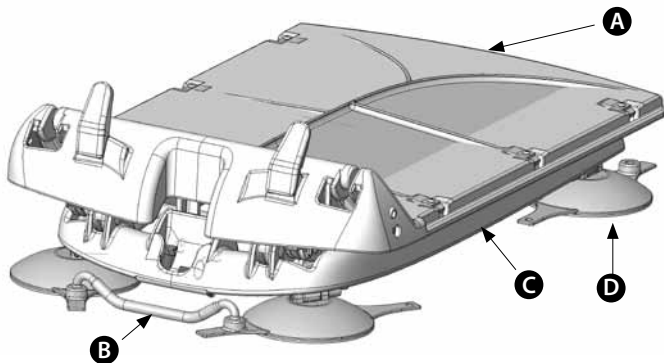
**C** Cable winders

**D** Backrest

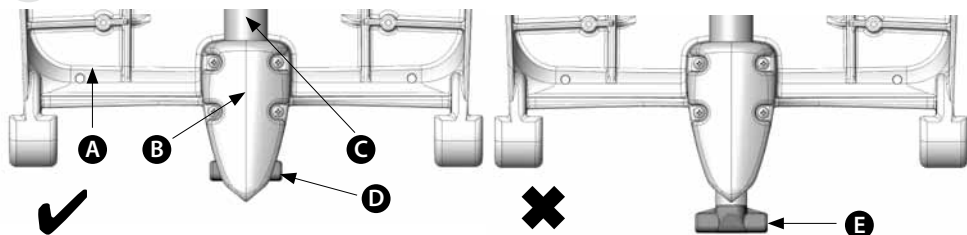


# 7

- A** Seat
- B** Sucker release handle
- C** Base Frame
- D** Front suction feet



# 8



- A** Backrest
- B** Clamp
- C** Actuator
- D** Actuator end **FULLY** retracted
- E** Actuator end **NOT FULLY** retracted

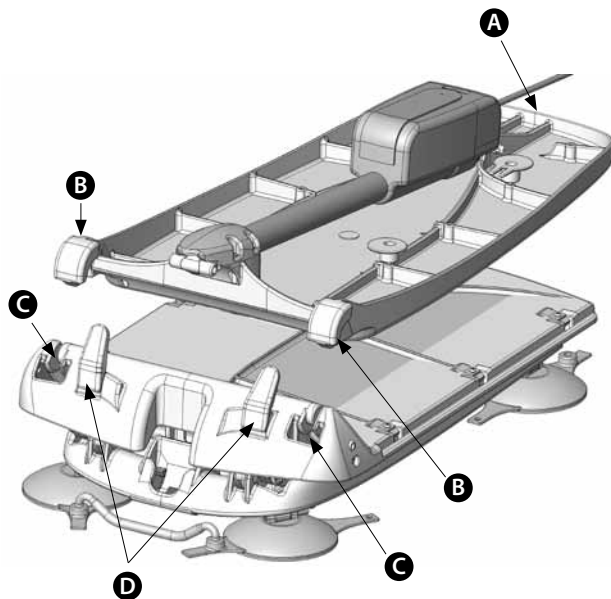
9

**A** Top of backrest

**B** Hinge

**C** Seat unit slot

**D** Seat unit blocks

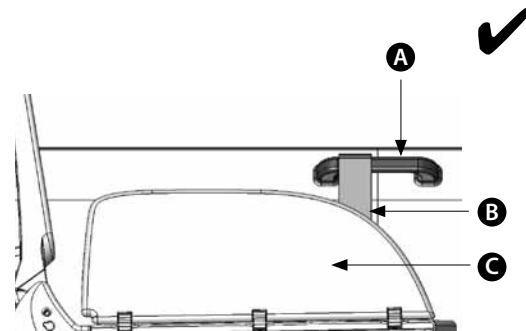
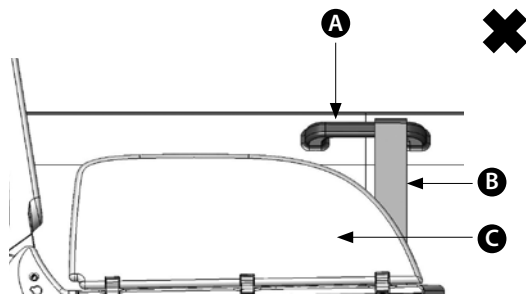


10

**A** Integral bath handle

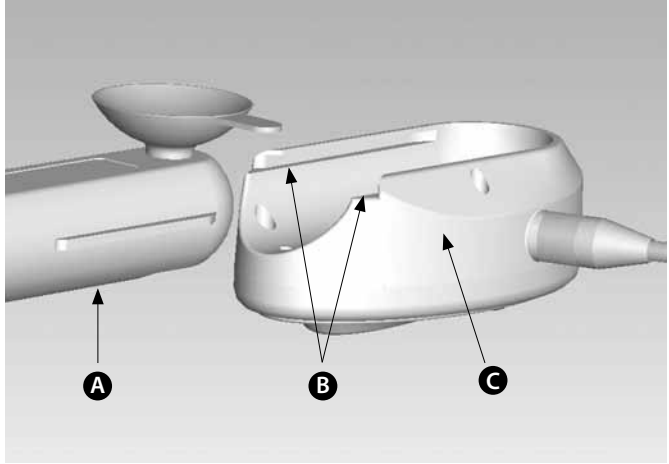
**B** Side flap protector

**C** Side flap



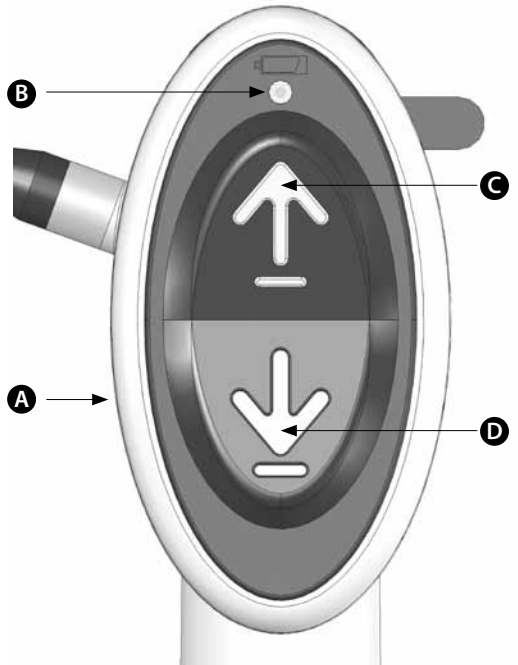
11

- **A** Battery
- **B** Tracks
- **C** Hand control



12

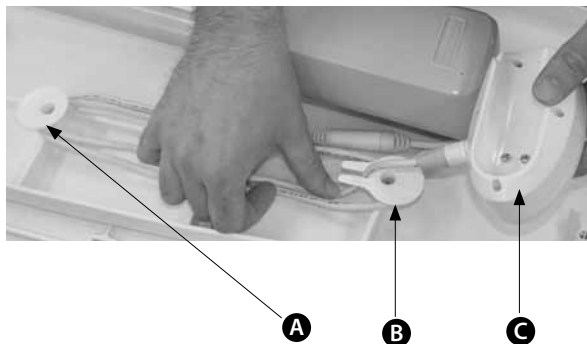
- **A** Hand control
- **B** Battery status indicator
- **C** Up
- **D** Down





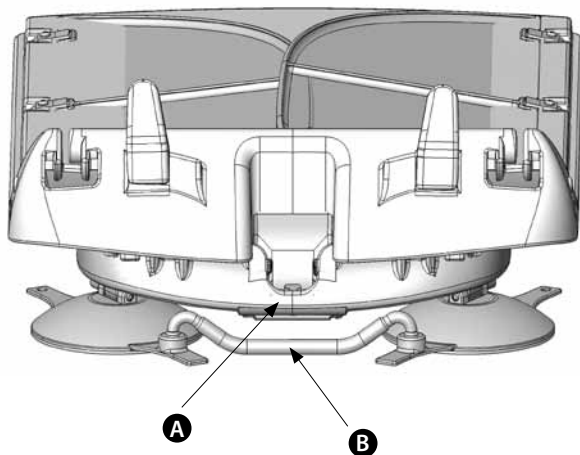
# 13

- **A** Cable winder
- **B** Cable winder with retainer clip
- **C** Hand control
- 



# 14

- **A** Rear of base frame
- **B** Sucker release handle
- 



**REF**

**ML1031**  
**01:04/11**

© **Mountway Limited 2011**

Tafarnaubach Ind. Est. Tredegar NP22 3AA UK

**tel** +44 (0)1495 723300 **fax** +44 (0)1495 723360

**freephone** 0800 014 1852

**e-mail** mail@mountway.co.uk

**www.mountway.com**

