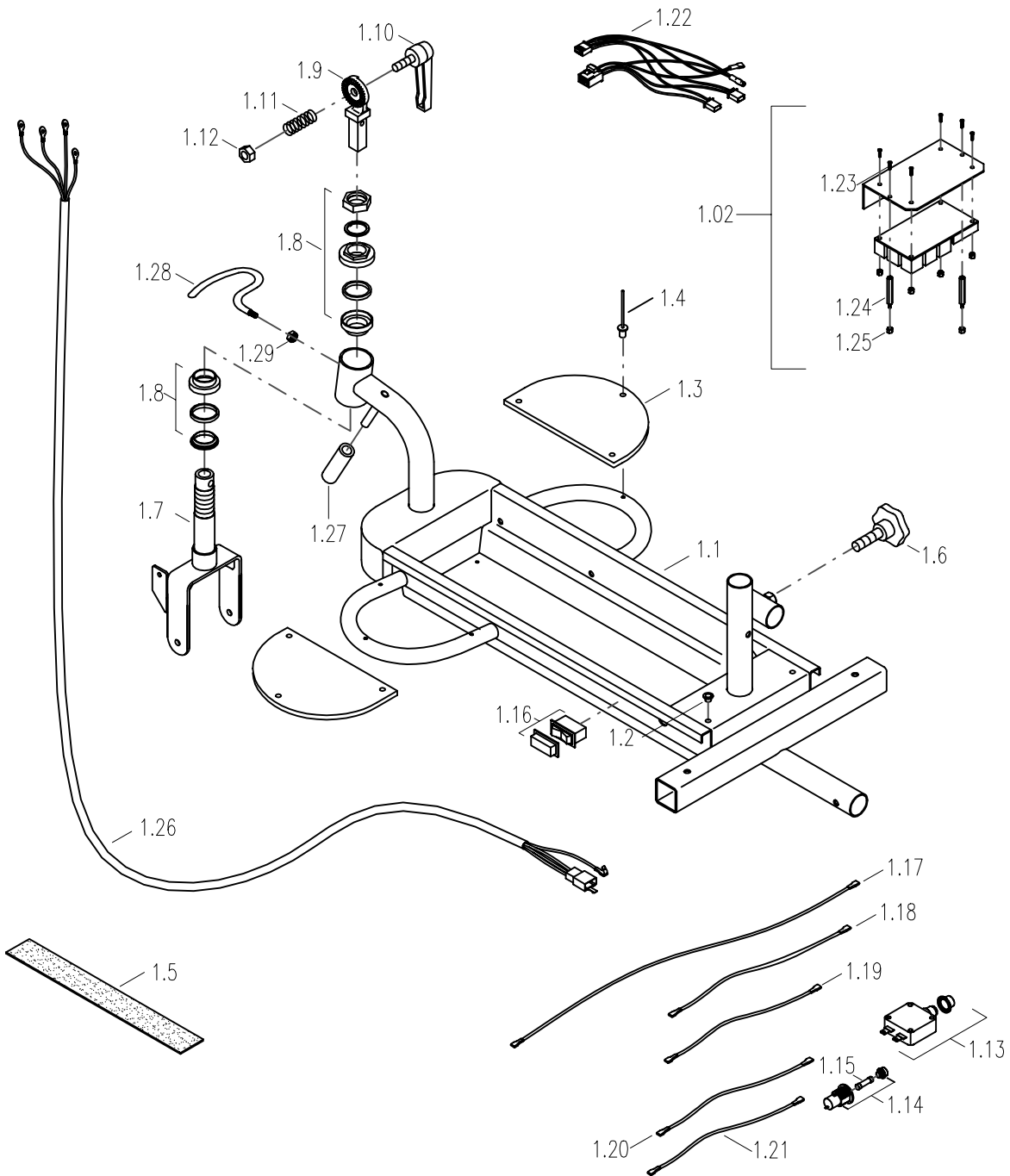


# FRAME / COMPONENTS ASSEMBLY (A)

Fig A



FOR PART CODES  
SEE SEPERATE  
LISTING



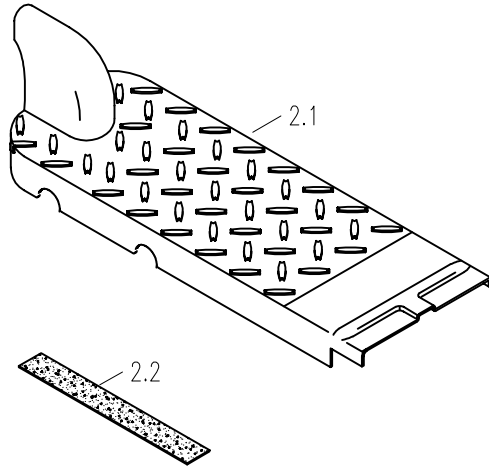
TITLE:	
PARTS CATALOGUE MS001 STEEL STANDARD TRAVELEASE	

DATE:	18/04/02
DRAWN:	PMK
SCALE:	NTS

SHEET No:	1 of 6
CHECKED:	REVISION No: —
DWG No:	MS001

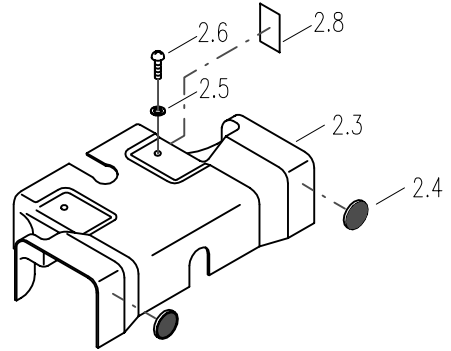
# FRONT SHROUD (C)

Fig C



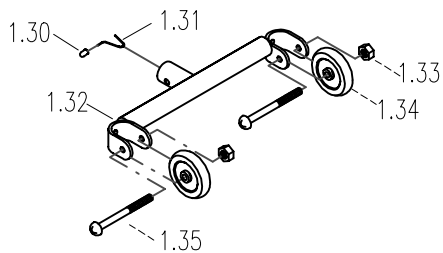
# REAR SHROUD (D)

Fig D

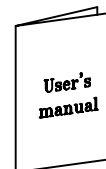


# ANTI-TIP ASSEMBLY (B)

Fig B



# USER MANUAL



FOR PART CODES  
SEE SEPERATE  
LISTING



TITLE:  
PARTS CATALOGUE  
MS001 STEEL  
STANDARD TRAVELEASE

DATE: 18/04/02

SHEET No: 2 of 6

DRAWN: PMK

CHECKED:

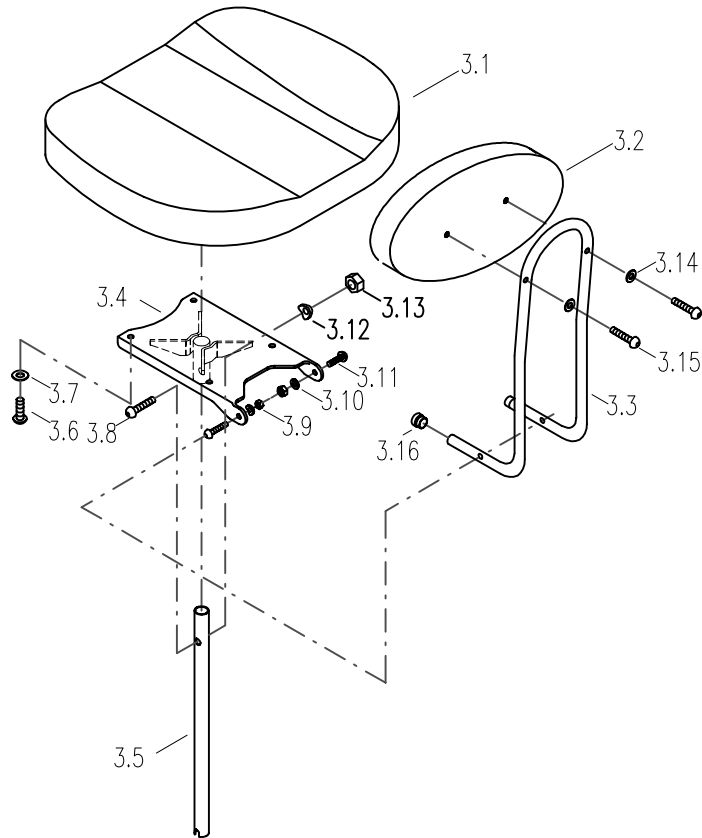
REVISION No: —

SCALE: NTS

DWG No: MS001

# STANDARD SEAT ASSEMBLY (E)

Fig E



FOR PART CODES  
SEE SEPERATE  
LISTING

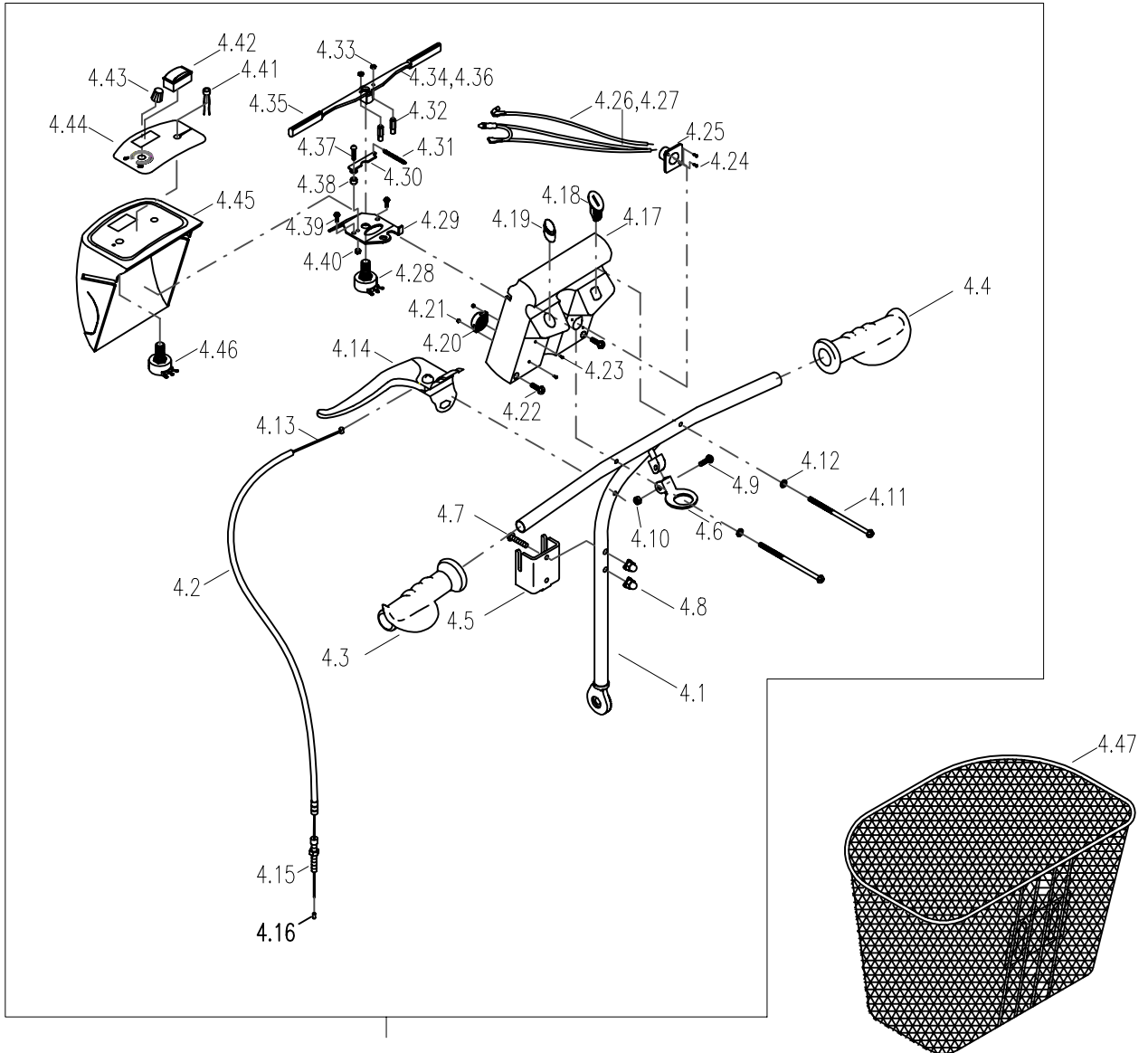


TITLE:  
PARTS CATALOGUE  
MS001 STEEL  
STANDARD TRAVELEASE

DATE: 18/04/02  
DRAWN: PMK  
SCALE: NTS

SHEET No: 3 of 6  
CHECKED:  
REVISION No: —  
DWG No: MS001

# TILLER ASSEMBLY (F)



**Fig F**

N.B.  
FOR FRONT TILLER  
STEM SHROUD SEE  
MS002 LISTING

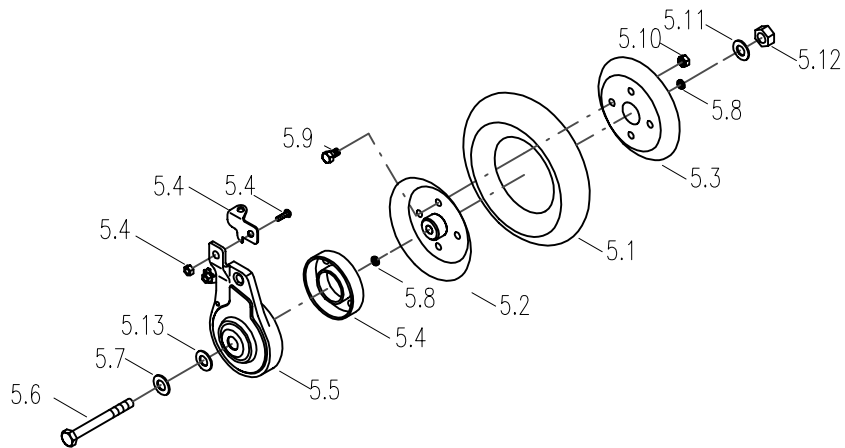
FOR PART CODES  
SEE SEPERATE  
LISTING



TITLE:		DATE:	SHEET No:
PARTS CATALOGUE		18/04/02	4 of 6
MS001 STEEL		DRAWN:	CHECKED:
STANDARD TRAVELEASE		PMK	REVISION No: —
		SCALE:	DWG No:
		NTS	MS001

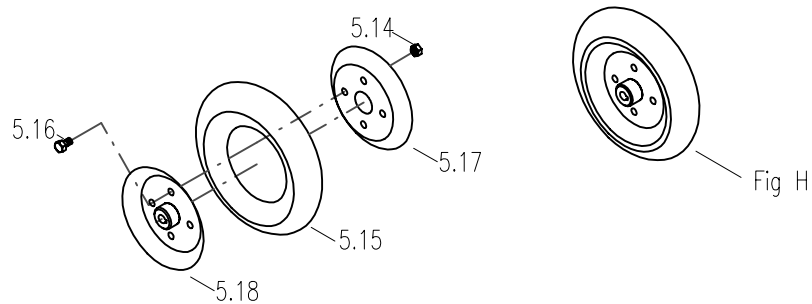
# FRONT WHEEL ASSEMBLY (G)

Fig G



# STEEL REAR WHEEL ASSEMBLY (H)

Fig H



N.B.  
FOR ALLOY WHEELS, SEE MS002  
PARTS DIAGRAM AND LISTING

FOR PART CODES  
SEE SEPERATE  
LISTING



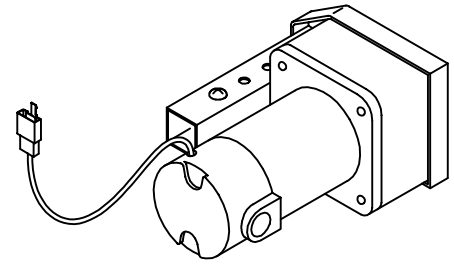
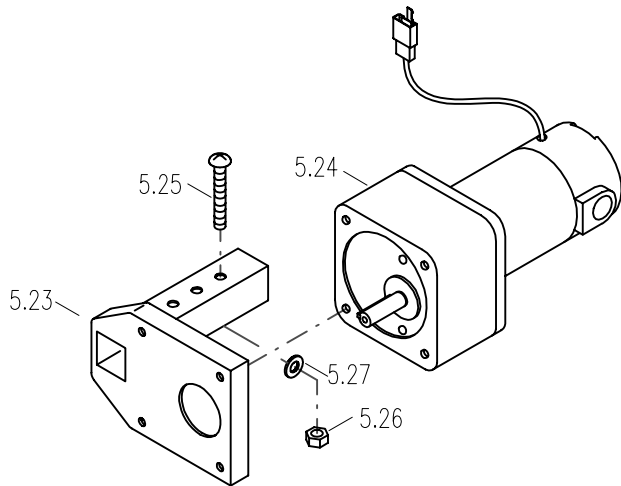
TITLE:	PARTS CATALOGUE MS001 STEEL STANDARD TRAVELEASE	
--------	---	--

DATE:	18/04/02	
DRAWN:	PMK	CHECKED:
SCALE:	NTS	

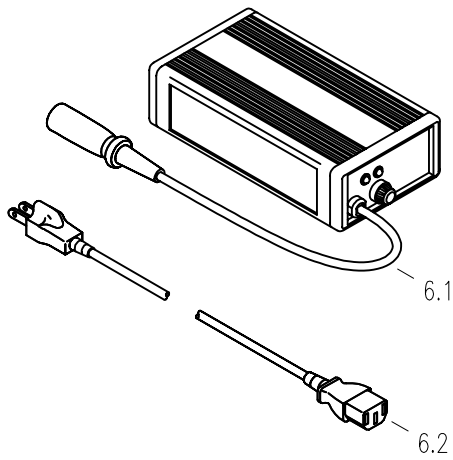
SHEET No:	5 of 6
REVISION No:	—
DWG No:	MS001

# MOTOR WITH BRACKET ASSEMBLY (I)

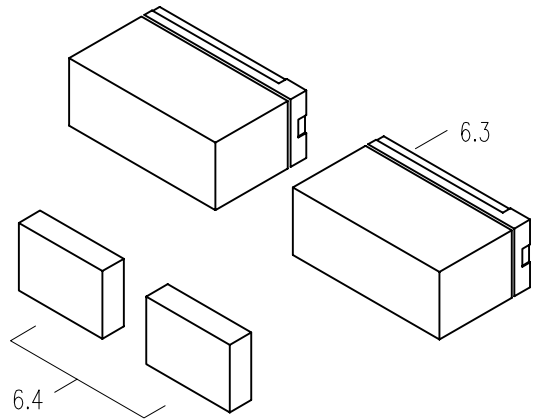
Fig I



## CHARGER UNIT



## BATTERIES



FOR PART CODES  
SEE SEPERATE  
LISTING



TITLE:  
PARTS CATALOGUE  
MS001 STEEL  
STANDARD TRAVELEASE

DATE: 18/04/02

SHEET No: 6 of 6

DRAWN: PMK

CHECKED:

REVISION No: —

SCALE: NTS

DWG No: MS001



# TRAVELEASE (MS001)

## SPARE PARTS LISTING

FIG	QTY	PART	DESCRIPTION
-----	-----	------	-------------

### PART ASSEMBLIES ( as shown on MS002 parts catalogue diagrams)

A	1	MS 30325001	MAIN FRAME ASEMBLY WITH MAIN LOOM
F	1	MS 33510012	TILLER ASSEMBLY (EXCLUDING BASKET)
C	1	MS 30510074	FRONT PLASTIC COVER ASSEMBLY
D	1	MS 30520076	REAR PLASTIC COVER ASSEMBLY
E	1	MS 32200033	SEAT ASSEMBLY
B	1	MS 34204005	ANTI TIP BAR ASSEMBLY
G	1	MS 33100058	FRONT WHEEL ASSEMBLY WITH FORK
H	2	MS 32600039	REAR WHEEL ASSEMBLY
I	2	MS 62150002	MOTOR ASSEMBLY

### INDIVIDUAL PARTS (as shown on MS001 parts catalogue diagrams)

1.1	1	MS 30325002	FRAME ONLY
1.2	2	MS 53905001	M5 RECESSED NUT
1.3	2	MS 43200007	FOOT PLATE, BLACK
1.4	6	MS 53800004	BLIND RIVET
1.5	1	MS 43700285	FEMALE VELCRO TAPE
1.6	1	MS 43600260	M8 KNOB
1.7	1	MS 33125001	FRONT FORK
1.8	1	MS 53400024	FORK BEARING SET
1.9	1	MS 33530001	LOWER SERRATED POST
1.10	1	MS 46700013	SCOOTER TILLER LOCK LEVER
1.11	1	MS 53500016	SPRING
1.12	1	MS 53210003	M10 NYLOC NUT
1.13	1	MS 61120014	10A CIRCUIT BREAKER
1.14	1	MS 61120012	BASE FUSE
1.15	1	MS 61120016	250V 3A FUSE
1.16	1	MS 61090003	FREEWHEEL SWITCH
1.17	1	MS 63200015	BATTERY-TO-BATTERY CABLE (WHITE)
1.18	1	MS 63200013	POSITIVE BATTERY CABLE (RED)
1.19	1	MS 63200014	NEGATIVE BATTERY CABLE (BLACK)
1.20	1	MS 63900035	INPUT CABLE FUSE
1.21	1	MS 63900036	OUTPUT CABLE FUSE
1.22	1	MS 63300013	CONTROLLER MOTOR CABLE
1.23	2	MS 50203001	M3 SCREW
1.24	2	MS 42300047	BRASS SPACER
1.25	2	MS 53204001	M4 NYLOC NUT
1.26	1	MS 63300014	TILLER MAIN LOOM CONTROLLER
1.27	1	MS 43700905	STEERING PLASTIC SLEEVE
1.28	1	MS 34299001	HOOK HANDLE
1.29	1	MS 53208006	M8 NYLOC NUT
1.30	1	MS 54500002	BRASS PUSH BUTTON FOR ANTI TIP
1.31	1	MS 53500008	SPRING FOR PUSH BUTTON
1.32	1	MS 34204006	BLACK ANTI TIP TUBING
1.33	2	MS 53206008	M6 NYLOC NUT
1.34	2	MS 44600014	40mm ANTI TIP WHEEL
1.35	2	MS 50606002	M6 X 36.5 SCREW
2.1	1	MS 30510073	FRONT PLASTIC COVER - RED



# TRAVELEASE (MS001)

## SPARE PARTS LISTING

FIG	QTY	PART	DESCRIPTION
2.2	1	MS 43700284	MALE VELCRO TAPE
2.3	1	MS 30510075	REAR PLASTIC COVER - RED
2.4	2	MS 43600463	REFLECTOR
2.5	2	MS 53105009	WASHER
2.6	2	MS 51205001	M5 X 20 SCREW
3.1	1	MS 43600468	SEAT ONLY
3.2	1	MS 43700906	BACK ONLY
3.3	1	MS 30604002	BACK SUPPORT TUBE
3.4	1	MS 32104019	SEAT BASE
3.5	1	MS 21210015	SEAT POST
3.6	6	MS 50406017	M6 X 25 SCREW
3.7	4	MS 53106002	BLACK WASHER
3.8	1	MS 51208001	M8 X 35 SCREW
3.9	2	MS 53106016	M6 WASHER
3.10	2	MS 53206008	M6 NYLOC NUT
3.11	2	MS 51206001	M6 X 30 SCREW
3.12	1	MS 53108014	BLACK M8 HALF SADDLE WASHER
3.13	1	MS 53208010	M8 x 45 SCREW
3.14	2	MS 53106006	M6 WASHER
3.15	2	MS 50406004	M6 X 20 SCREW
3.16	2	MS 43600244	5/8" BLACK PLUG
4.1	1	MS 33525002	TILLER POST ONLY
4.2	1	MS 43700777	CABLE CASING
4.3	1	MS 44600158	LEFT HAND SIDE GRIP
4.4	1	MS 44600159	RIGHT HAND SIDE GRIP
4.5	1	MS 41200229	BASKET HOLDER
4.6	1	MS 24350015	SEAT POST MOUNTING RING
4.7	2	MS 50306004	M6 X 30 CAP HEAD SCREW
4.8	2	MS 53206003	M6 DOME NUT
4.9	1	MS 53205003	M5 PLAIN NUT
4.10	1	MS 53205005	M5 NYLOC NUT
4.11	2	MS 50104011	M4 X 95 SCREW
4.12	2	MS 53104002	M4 DASH WASHER
4.13	1	MS 41700056	INNER CABLE
4.14	1	MS 42700040	LEFT HAND SIDE LEVER BRAKE
4.15	1	MS 54606012	23mm BRAZE BOLT AND NUT
4.16	1	MS 42700057	ALUMINIUM END CAP FOR WIRE
4.17	1	MS 30510071	RED LOWER DASH BOARD COVER
4.18	1	MS 61090014	KEY SWITCH
4.19	1	MS 61090030	HORN SWITCH
4.20	1	MS 61170003	BUZZER
4.21	2	MS 53203001	M3 NYLOC NUT
4.22	2	MS	SCREW
4.23	2	MS 50103010	M3 X 12 SCREW
4.24	1	MS 50202001	M2 X 12 SCREW
4.25	2	MS 61130071	CHARGER SOCKET
4.26	1	MS 63900031	CHARGER SOCKET CABLE
4.27	1	MS 63900031	CHARGER SOCKET CABLE
4.28	1	MS 61020007	POTENTIOMETER





# TRAVELEASE (MS001)

## SPARE PARTS LISTING

FIG	QTY	PART	DESCRIPTION
4.29	1	MS 33504004	POTENTIOMETER BRACKET
4.30	1	MS 41200290	POTENTIOMETER SET PLATE
4.31	1	MS 53500061	POTENTIOMETER SPRING
4.32	2	MS 54000027	HEXAGONAL SPRING PIN
4.33	2	MS 50704001	M4 X 5 SET SCREW
4.34	1	MS 23350024	THOTTLE LEVER
4.35	2	MS 43700342	VINYL SLEEVE ON LEVER
4.36	1	MS 24350014	THOTTLE MOUNTING RING
4.37	1	MS 50104003	M4 X 15 SCREW
4.38	1	MS 42300038	SPACER
4.39	2	MS 50104002	M4 X 10 SCREW
4.40	1	MS 53204001	M4 NYLOC NUT
4.41	1	MS 61200003	SCOOTER POWER INDICATOR
4.42	1	MS 61220002	POWER GUAGE
4.43	1	MS 61180003	SPEED KNOB
4.44	1	MS 75100259	DASH BOARD DECAL
4.45	1	MS 30510070	UPPER DASH BOARD COVER
4.46	1	MS 61020006	SPEED DIAL VR30K POTENTIOMETER
4.47	1	MS 41700041	SHOPPING BASKET
5.1	1		7" DIA PU SOLID TYRE
5.2	1		TYRE RIM TYPE A
5.3	1		TYRE RIM TYPE B
5.4	1		BRAKE DRUM
5.5	1		BRAKE DRUM COVER
5.6	1		AXLE BOLT
5.7	1		AXLE WASHER
5.8	2		BEARING
5.9	1		SCREW
5.10	1		NUT
5.11	1		WASHER
5.12	1		NUT
5.13	1		WASHER
5.14	1		NUT
5.15	1		7" DIA PU SOLID TYRE
5.16	1		SCREW
5.17	1		TYRE RIM TYPE B
5.18	1		TYRE RIM TYPE C
5.23	1		MOTOR BRACKET
5.34	1		SP53 MOTOR
5.25	1		SCREW
5.26	1		NUT
5.27	1		WASHER
6.1	1	MS 65141001	1.5A 24V BATTERY CHARGER
6.2	1	MS 63600008	UK MAINS CABLE FOR CHARGER
6.3	2	MS 66100002	12V 8ah SEALED LEAD ACID BATTERY
6.4	2	MS 45200001	BATTERY SPACER FOAM PAD
N/A	N/A	BEL12002	GEL BATTERY KIT (C/W 2 BATTERIES AND CONNECTIONS)