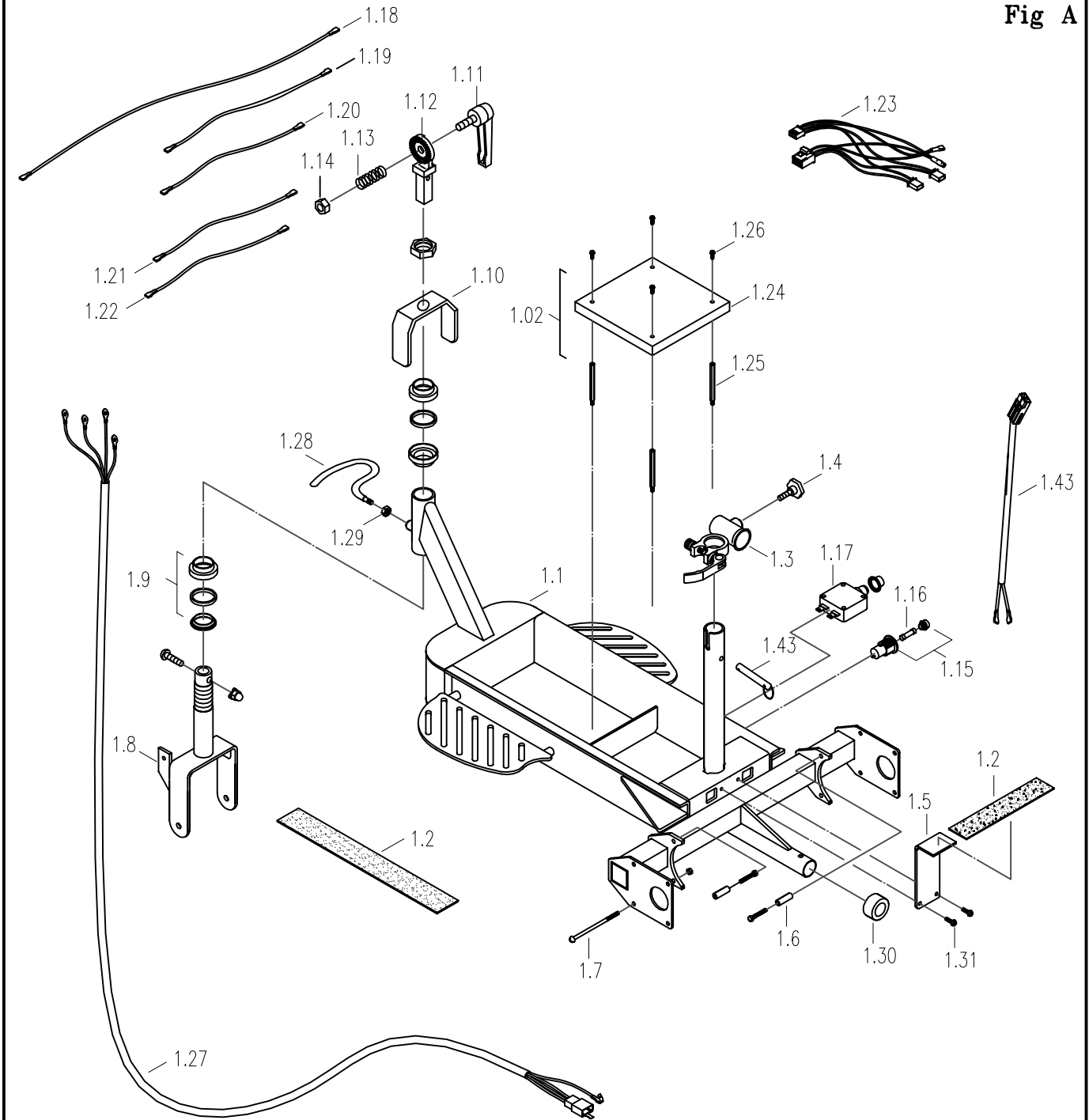


FRAME / COMPONENTS ASSEMBLY (A)

Fig A



FOR PART CODES,
SEE SEPERATE
LISTING



TITLE:
PARTS CATALOGUE
MS007 ALUMINIUM
TRAVELEASE LIMITED EDITION

DATE: 18/04/02

SHEET No: 1 of 6

DRAWN: PMK

CHECKED:

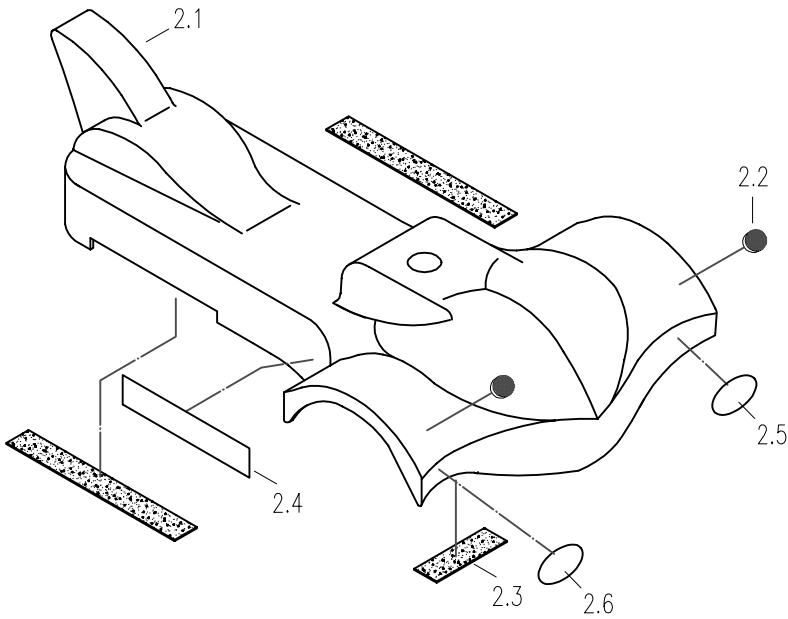
REVISION No: —

SCALE: NTS

DWG No: MS007

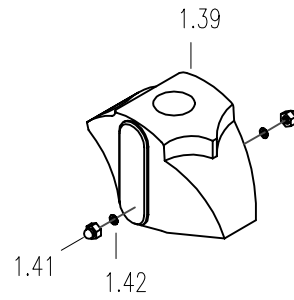
SHROUD (D)

Fig D



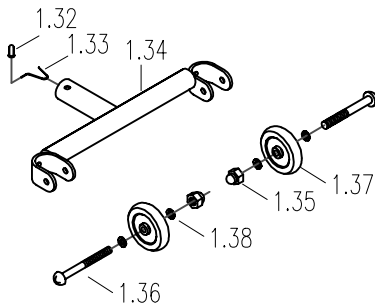
WHEEL SHROUD (C)

Fig C

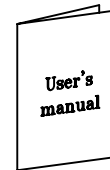


ANTI-TIP ASSEMBLY (B)

Fig B



USER MANUAL



FOR PART CODES,
SEE SEPERATE
LISTING



TITLE:
PARTS CATALOGUE
MS007 ALUMINIUM
TRAVELEASE LIMITED EDITION

DATE: 18/04/02

SHEET No: 2 of 6

DRAWN: PMK

CHECKED:

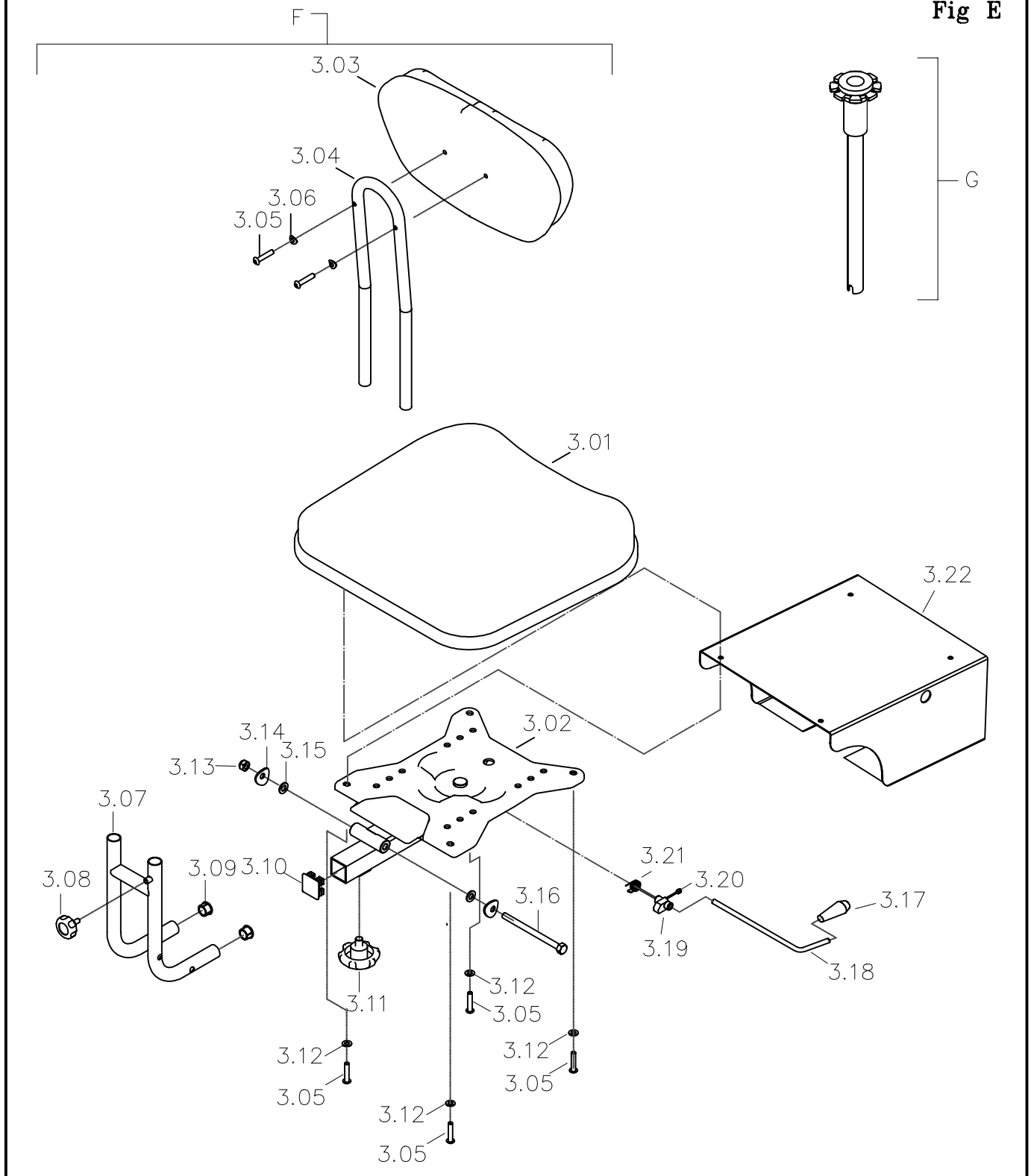
REVISION No: —

SCALE: NTS

DWG No: MS007

12ah SEAT ASSEMBLY (E)

Fig E



FOR PART CODES,
SEE SEPERATE
LISTING



TITLE:
PARTS CATALOGUE
MS007 ALUMINIUM
TRAVELEASE LIMITED EDITION

DATE: 18/04/02

SHEET No: 3 of 6

DRAWN: PMK

CHECKED:

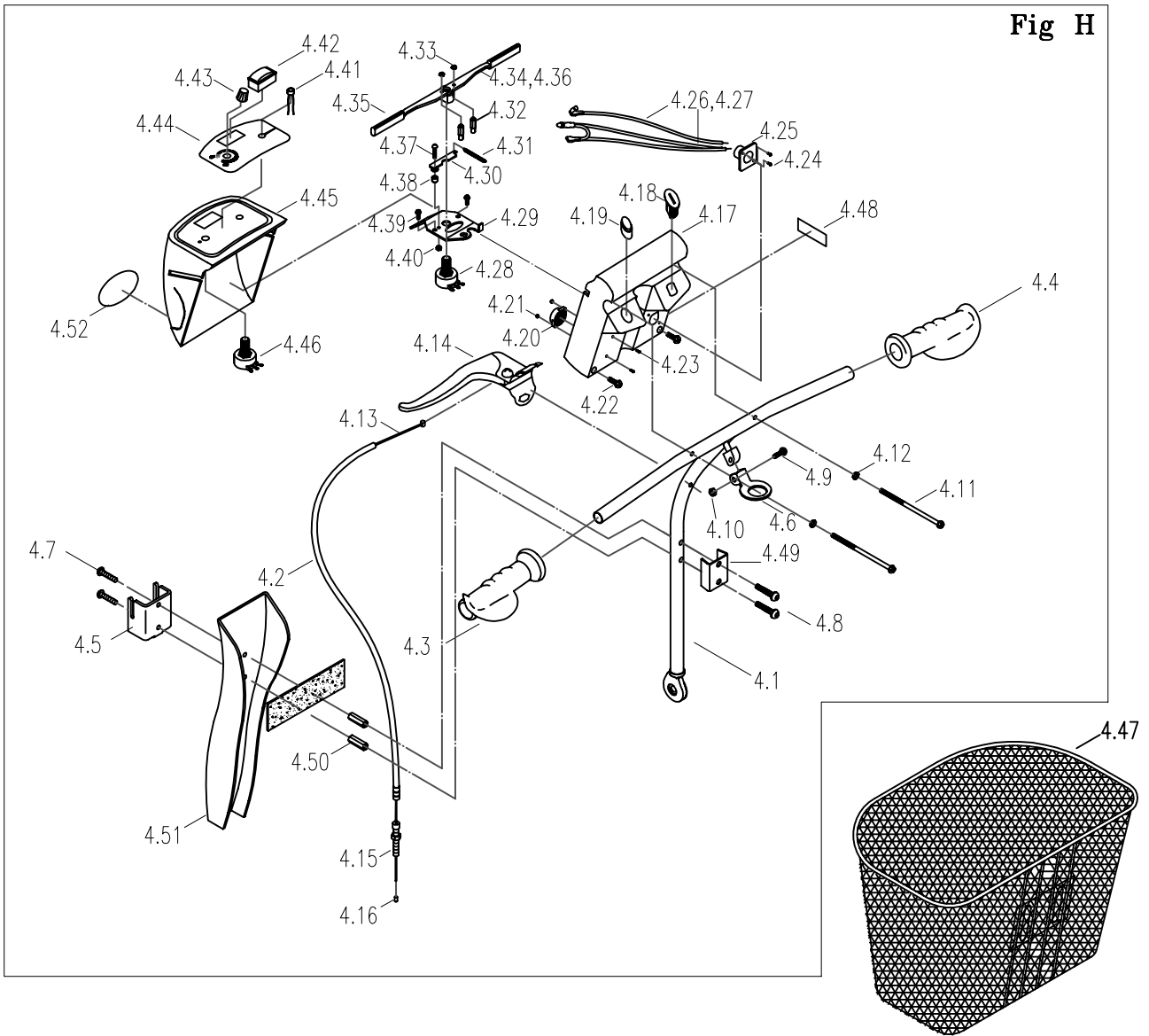
REVISION No: —

SCALE: NTS

DWG No: MS007

TILLER ASSEMBLY (H)

Fig H



FOR PART CODES,
SEE SEPERATE
LISTING



TITLE:
PARTS CATALOGUE
MS007 ALUMINIUM
TRAVELEASE LIMITED EDITION

DATE: 18/04/02

SHEET No: 4 of 6

DRAWN: PMK

CHECKED:

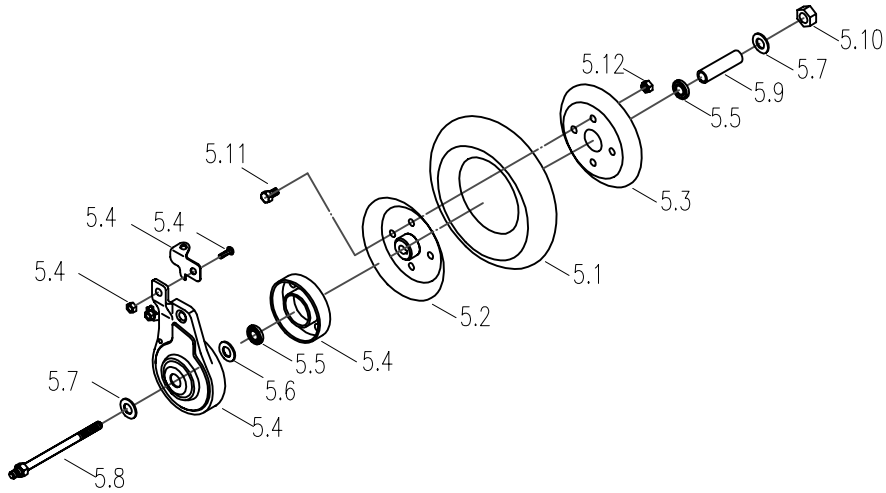
REVISION No: —

SCALE: NTS

DWG No: MS007

FRONT WHEEL ASSEMBLY (I)

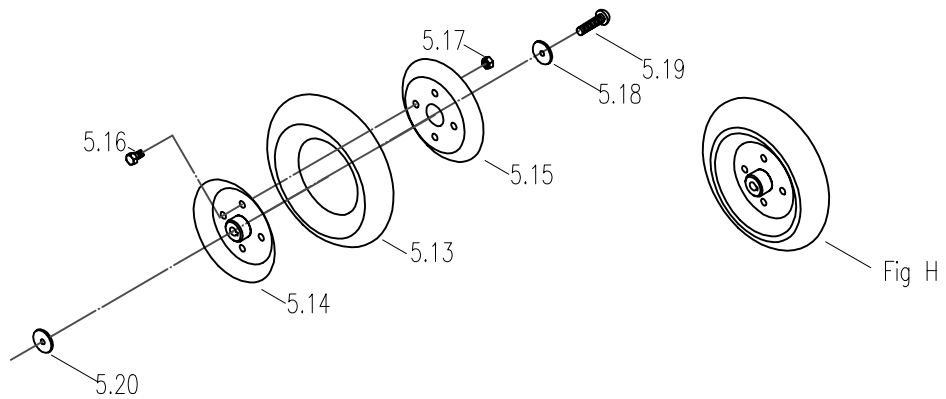
Fig I



ALLOY REAR WHEEL ASSEMBLY (J)

Fig J

N.B.:
FOR STEEL REAR
WHEELS, SEE
MS001 PARTS
DIAGRAM AND
LISTING



FOR PART CODES,
SEE SEPERATE
LISTING



TITLE:
PARTS CATALOGUE
MS007 ALUMINIUM
TRAVELEASE LIMITED EDITION

DATE: 18/04/02

SHEET No: 5 of 6

DRAWN: PMK

CHECKED:

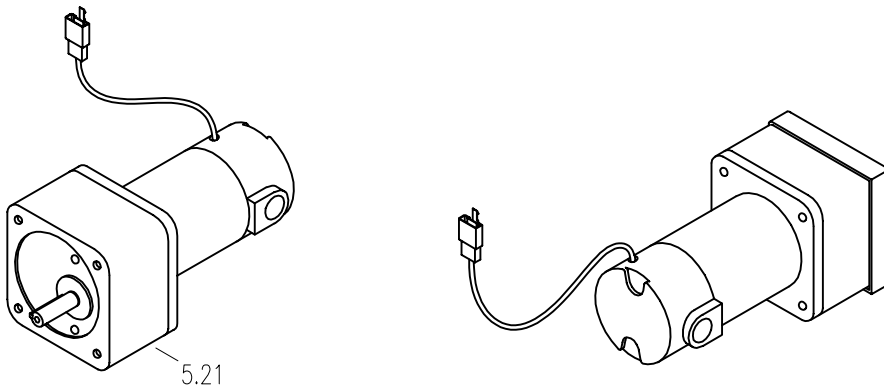
REVISION No: —

SCALE: NTS

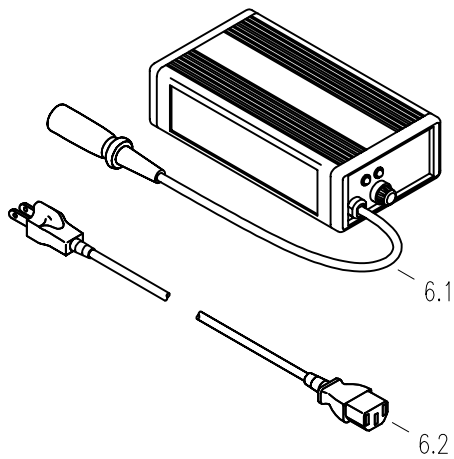
DWG No: MS007

MOTOR ASSEMBLY (K)

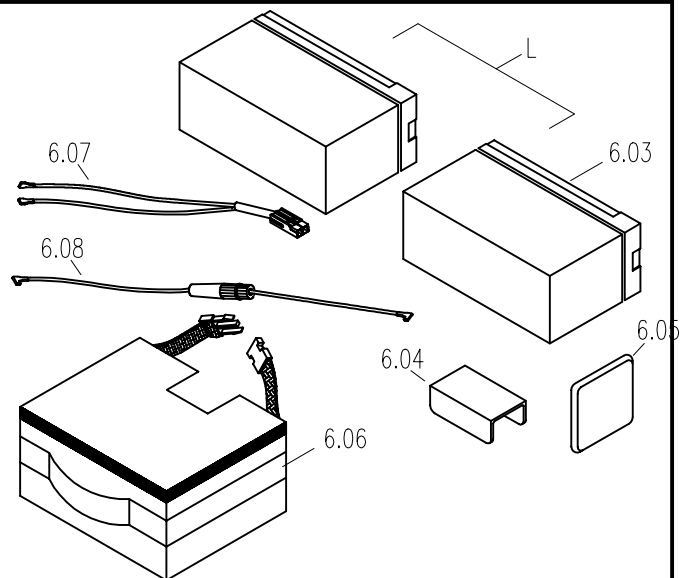
Fig K



CHARGER UNIT



BATTERY PACK (L)



FOR PART CODES,
SEE SEPERATE
LISTING



TITLE:
PARTS CATALOGUE
MS007 ALUMINIUM
TRAVELEASE LIMITED EDITION

DATE: 18/04/02

SHEET No: 6 of 6

DRAWN: PMK

CHECKED:

REVISION No: —

SCALE:

NTS

DWG No:

MS007



TRAVELEASE (MS007)

SPARE PARTS LISTING

FIG	QTY	PART	DESCRIPTION
-----	-----	------	-------------

PART ASSEMBLIES (as shown on the MS007 parts catalogue diagram)

A	1	MS 3033801	FRAME ASSEMBLY COMPLETE
B	1	MS 34204005	ANTI-TIP WHEELS ASSEMBLY
C	1	MS 30519055	FRONT WHEEL SHROUD (SILVER)
D	1	MS 30519070	MAIN SHROUD ASSEMBLY (SILVER)
E	1	NOT AVAILABLE	SEAT ASSEMBLY COMPLETE
F	1	MS 32200059	SEAT ASSEMBLY C/W UNDERSEAT BRACKET
G	1	MS 32101012	SEAT POST
H	1	MS 33519026	TILLER ASSEMBLY (SILVER)
I	1	MS 33100059	FRONT WHEEL ASSEMBLY
J	2	MS 32600047	REAR WHEEL ASSEMBLY
K	1	MS 62100027	MOTOR
L	1	MS 33700029	12AH UNDERSEAT BATTERY PACK ASSEMBLY

INDIVIDUAL PARTS (as shown on the MS007 parts catalogue diagram)

FIGURE A: FRAME ASSEMBLY

1.01	1	MS 30338002	FRAME ONLY
1.02	0.3m	MS 43700285	50mm SELF ADHESIVE FEMALE VELCRO
1.03	1	MS 30338003	SEAT CAM-LOCK BRACKET
1.04	1	MS 43600256	M8 X 20 PLASTIC HANDLE
1.05	1	MS 42200023	REAR SHROUD SUPPORT PLATE
1.06	4	MS 53600004	SPACER
1.07	4	MS 51205010	M5 X 90 BOLT
1.08	1	MS 31101002	MS002 FORK ASSEMBLY
1.09	1	MS 53400025	TH-1150W BEARING SET
1.10	1	MS 30399001	STEERING LOCK BUFFER PLATE
1.11	1	MS 46700013	TILLER LOCK LEVER
1.12	1	MS 33501014	LOWER TILLER ADJUSTMENT CLAMP
1.13	1	MS 53500018	SPRING 12.7 X 12L
1.14	1	MS 53210003	M10 NYLOC NUT
1.15	1	MS 61120012	ONBOARD FUSE HOLDER
1.16	1	MS 61120016	3.2A FUSE
1.17	1	MS 61120009	15A CIRCUIT BREAKER
1.18	1	MS 63200015	BATTERY-TO-BATTERY CABLE
1.21	1	MS 63900035	FUSE INPUT CABLE
1.22	1	MS 63900036	FUSE OUTPUT CABLE
1.23	1	MS 63800008	MOTOR LOOM
1.24	1	MS 61100016	DYNAMICS DS70S CONTROLLER
1.25	4	MS 42300005	HEXAGONAL MOUNTING POST
1.26	4	MS 50104002	M4 X 10 SCREW
1.27	1	MS 63100019	MAIN LOOM
1.28	1	MS 34299001	DRAG HANDLE
1.29	1	MS 53208006	M8 PLAIN NUT
1.30	1	MS 43600242	PLASTIC BUSH FOR ANTI-TIP WHEELS
1.31	2	MS 51900025	3/16 X 5/8 SCREW
1.32	1	MS 54500002	BRASS PUSH BUTTON ON ANTI TIP WHEELS
1.33	1	MS 53500008	SPRING FOR BRASS PUSH BUTTON
1.43	1	MS 54206003	SEAT LOCKING PIN AND UNDERSEAT CABLING KIT



TRAVELEASE (MS007)

SPARE PARTS LISTING

FIG	QTY	PART	DESCRIPTION
-----	-----	------	-------------

FIGURE B: ANTI-TIP TUBING

1.34	1	MS 34204006	ANTI-TIP TUBING
1.35	2	MS 53206008	M6 NYLOC NUT
1.36	2	MS 51900025	M6 X 36.5mm SCREW
1.37	2	MS 44600014	ANTI-TIP WHEEL
1.38	4	MS 53106015	M6 NYLON WASHER

FIGURE C: FRONT WHEEL SHROUD

1.39	1	MS 30519055	FRONT WHEEL SHROUD (SILVER)
1.41	2	MS 53208004	M8 DOME NUT
1.42	2	MS 53108002	M8 NYLON WASHER

FIGURE D: MAIN SHROUD ASSEMBLY

2.01	1	MS 30519071	MAIN SHROUD ONLY (SILVER)
2.02	2	MS 43600262	REAR REFLECTOR
2.03	0.3m	MS 43700284	2" SELF ADHESIVE MALE VELCRO
2.04	2	MS 75141401	MINITRAVELER DECAL

FIGURE E: SEAT ASSEMBLY

3.01	1	MS 43700512	GREY DELUXE SEAT PAD
3.02	1	MS 32103003	SEAT SUPPORT PLATE
3.03	1	MS 43700513	GREY DELUXE BACKREST PAD
3.04	1	MS 30630002	UPPER BACKREST TUBE
3.05	8	MS 51206001	M6 X 30 SCREW
3.06	2	MS 53106002	M6 BLACK WASHER
3.07	1	MS 30605004	LOWER BACKREST TUBE
3.08	1	MS 43600227	HEIGHT SECUREMENT KNOB
3.09	2	MS 43600190	PLASTIC PLUG
3.10	1	MS 43600306	PLASTIC SQUARE PLUG
3.11	1	MS 43600370	PLASTIC M10 KNOB
3.12	4	MS 53106011	M6 WASHER
3.13	1	MS 53208010	M8 NYLOC NUT
3.14	2	MS 53108014	M8 CONCAVE WASHER
3.15	2	MS 53108004	M8 WASHER
3.16	1	MS 51008022	AXLE BOLT
3.17	1	MS 44600060	LEVER TIP
3.18	1	MS 24210002	RELEASE LEVER
3.19	1	MS 41500007	LEVER LOCATOR
3.20	1	MS 50708002	M8 SET SCREW
3.21	1	MS 53500029	TORQUE SPRING
3.22	1	MS 34203075	UNDERSEAT BRACKET FOR 12AH BATTERY PACK

FIGURE H: TILLER ASSEMBLY

4.01	1	MS 33501015	TILLER TUBING (CHROME)
4.02	1	MS 43700776	BRAKE CABLE SLEEVE
4.03	1	MS 44600158	LEFT HANDGRIP
4.04	1	MS 44600159	RIGHT HANDGRIP
4.05	1	MS 41200229	BASKET HOLDER BRACKET
4.06	1	MS 33599001	SEAT POST HOOP
4.07	2	MS 51206005	M6 X 10 SCREW
4.08	2	MS 51206020	M6 X 35 SCREW



TRAVELEASE (MS007)

SPARE PARTS LISTING

FIG	QTY	PART	DESCRIPTION
4.09	1	MS 50104004	M4 X 20 SCREW
4.10	1	MS 53204001	M4 NYLOC NUT
4.11	2	MS 50104011	M4 X 95 BOLT
4.12	2	MS 53104002	M4 THIN WASHER
4.13	1	MS 41700058	BRAKE CABLE
4.14	1	MS 42700040	LEFT-HAND BRAKE LEVER
4.16	1	MS 42700057	ALUMINIUM END CAP FOR BRAKE CABLE
4.17	1	MS 30519018	LOWER DASH BOARD COVER (SILVER)
4.18	1	MS 33700021	KEY SET
4.19	1	MS 61090030	HORN BUTTON
4.20	1	MS 61170002	SOUNDER/ BUZZER
4.21	2	MS 53203001	M3 NYLOC NUT
4.22	2	MS 50104004	M4 X 20 SCREW
4.23	2	MS 50103010	M3 X 12 SCREW
4.24	1	MS 61130071	CHARGER SOCKET
4.25	2	MS 50202001	M2 X 12 SCREW
4.26	1	MS 63900031	CHARGING CIRCUIT CABLE
4.27	1	MS 63900031	CHARGING CIRCUIT CABLE
4.28	1	MS 61020007	5K POTENTIOMETER
4.29	1	MS 33504004	BASE POTENTIOMETER
4.30	1	MS 41200290	POTENTIOMETER SETTING PLATE
4.31	1	MS 53500061	POTENTIOMETER RETURN SPRING
4.32	2	MS 41300009	STEEL THROTTLE PIN
4.33	2	MS 50705002	M5 X 5 SCREW
4.34	1	MS 43700342	THROTTLE LEVER
4.35	2	MS 43700342	VINYL TIP FOR THROTTLE LEVER
4.36	1	MS 24350014	THROTTLE MOUNTING RING
4.37	1	MS 50104003	M4 X 15 SCREW
4.38	1	MS 42300038	SPACER
4.39	4	MS 50104002	M4 X 10 BOLT
4.40	1	MS 53204001	M4 NYLOC NUT
4.41	1	MS 61200003	POWER EYE
4.42	1	MS 61220002	POWER GAUGE
4.43	1	MS 61180003	SPEED SELECTOR DIAL KNOB
4.44	1	MS 75100259	DASHBOARD DECAL
4.45	1	MS 30519017	UPPER DASH BOARD COVER (SILVER)
4.46	1	MS 61020006	VR30K POTENTIOMETER
4.47	1	MS 41700041	BASKET
4.48	1	MS 75141407	CHARGING SOCKET DECAL
4.49	1	MS 41200035	FRONT SHROUD MOUNTING PLATE
4.50	2	MS 41300011	BASKET HEXAGONAL POST
4.51	1	MS 30519010	FRONT TILLER COVER (SILVER)
4.52	1	MS 75142401	SUPREME DECAL
4.54	1	MS 61090034	KEY SWITCH

FIGURE I: FRONT WHEEL ASSEMBLY

5.1	1	MS 43600470	PU FOAM TYRE
5.2	1	MS 33103009	RIM A
5.3	1	MS 32603001	RIM B
5.4	1	MS 46700015	DRUM BRAKE
5.5	2	MS 53300002	608ZZ BEARING



TRAVELEASE (MS007)

SPARE PARTS LISTING

FIG	QTY	PART	DESCRIPTION
5.6	1	MS 53108007	M8 WASHER
5.7	2	MS 53108008	M8 THIN WASHER
5.8	1	MS 51008016	M8 X 136 AXLE BOLT
5.9	1	MS 53600054	SPACER
5.10	1	MS 53208012	M8 NYLOC NUT
5.11	1	MS 50308020	M8 X 15 HEX HEAD SCREW
5.12	4	MS 53208012	M8 NYLOC NUT

FIGURE J: ALLOY REAR WHEEL ASSEMBLY

5.13	1	MS 43600470	PU FOAM TYRE
5.14	1	MS 42500049	RIM A
5.15	1	MS 32603001	RIM B
5.16	4	MS 50308020	M8 X 15 HEX HEAD SCREW
5.17	4	MS 53208012	M8 NYLOC NUT
5.19	2	MS 51205006	M5 X 12 SCREW

FIGURE K: MOTOR

5.21	1	MS 62100027	MOTOR
6.01	1	MS 65102002	1.8A 24V OFFBOARD CHARGER
6.02	1	MS 63600007	UK POWER CORD

FIGURE L: 12AH UNDERSEAT BATTERY PACK

6.03	2	12V12AH	12V 12AH BATTERY
6.04	1	MS 41200193	BATTERY BAG INSERT
6.05	1	MS 45200001	BATTERY PAD
6.06	1	MS 43700318	12AH UNDERSEAT BATTERY BAG
6.07	1	MS 63242401	BATTERY TO POWER LEAD
6.08	1	MS 63242402	BATTERY TO BATTERY LEAD (C/W FUSE)