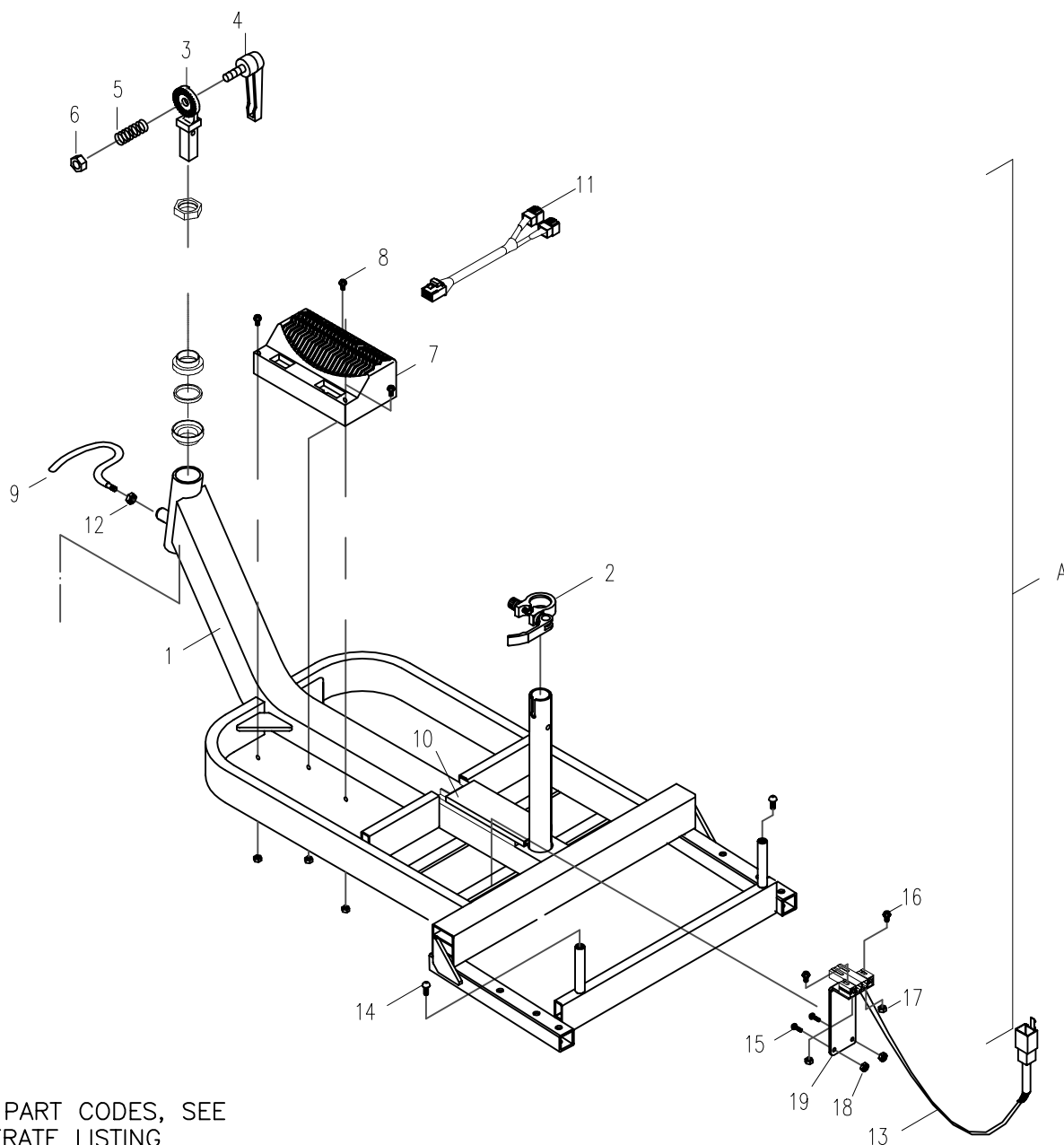


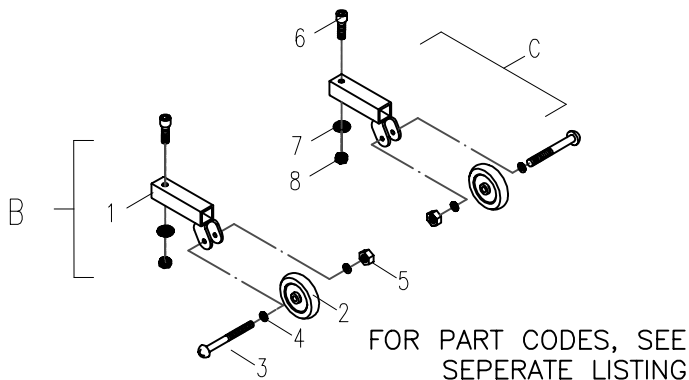
# FIG A: FRAME ASSEMBLY

FIG A



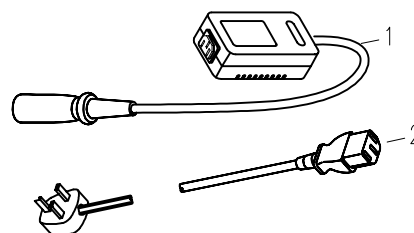
FOR PART CODES, SEE SEPERATE LISTING

## FIG B & C: ANTI-TIP WHEELS



FOR PART CODES, SEE SEPERATE LISTING

## FIG D: CHARGER



FOR PART CODES, SEE SEPERATE LISTING



TITLE:  
PARTS CATALOGUE  
MS010 PIONEER  
MINI SCOOTER

DATE: 28/05/02

SHEET No: 1 of 6

DRAWN: PMK

CHECKED:

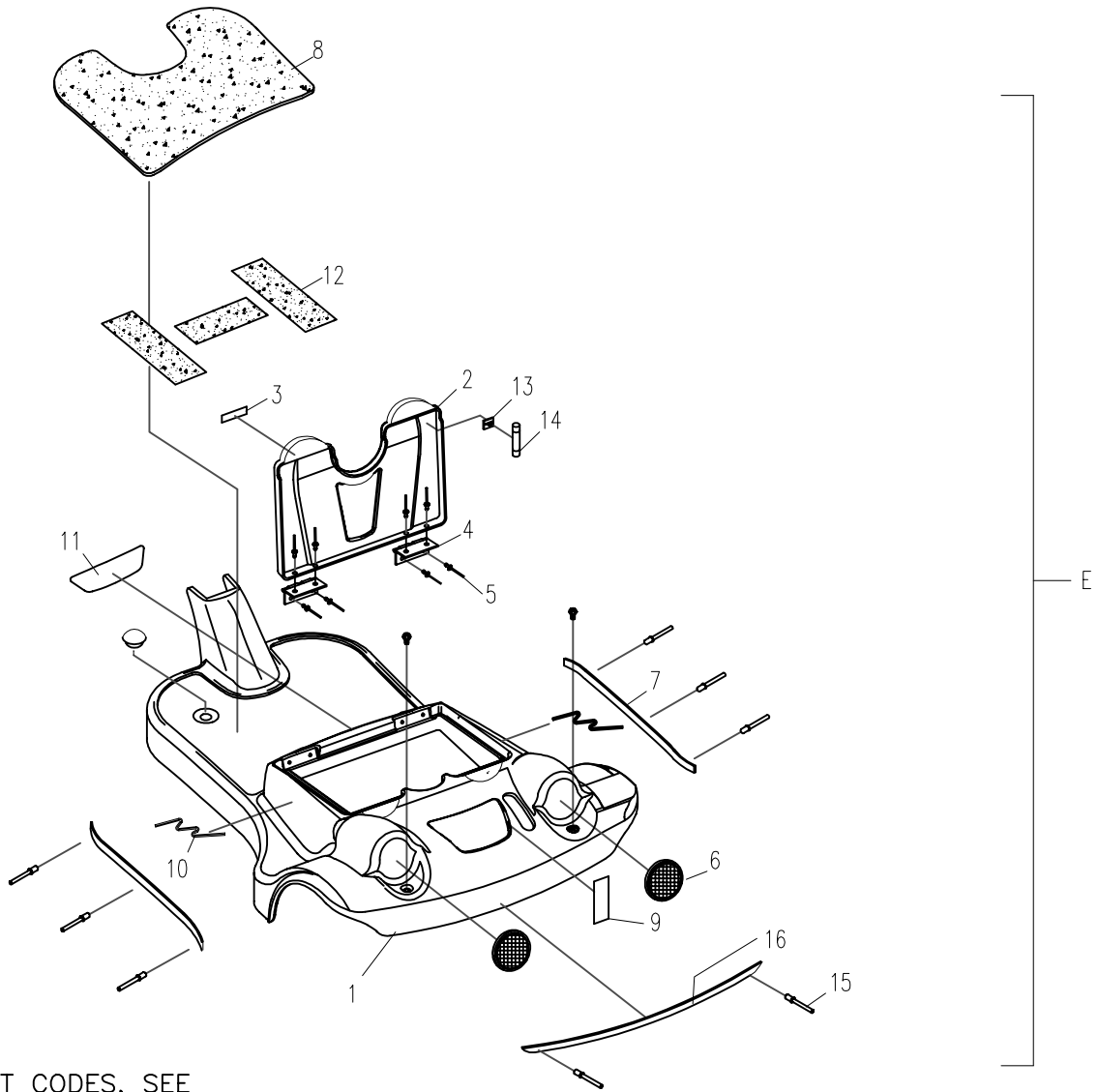
REVISION No: -

SCALE: NTS

DWG No: MS010

# FIG E: SHROUD

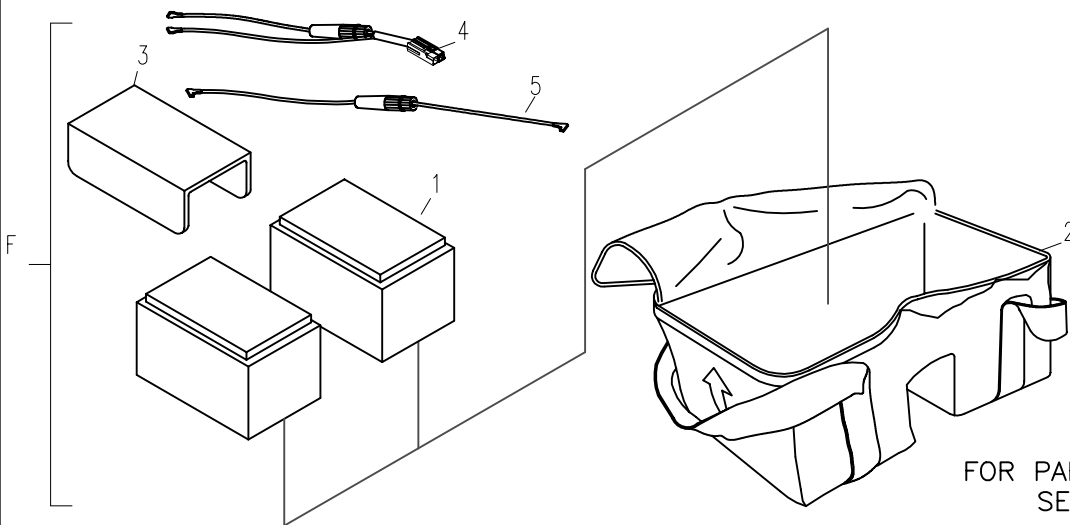
FIG E



FOR PART CODES, SEE SEPERATE LISTING

# FIG F: BATTERY PACK

FIG F



FOR PART CODES, SEE SEPERATE LISTING



TITLE:

PARTS CATALOGUE  
MS010 PIONEER  
MINI SCOOTER

DATE:

28/05/02

SHEET No:

2 of 6

DRAWN:

PMK

CHECKED:

REVISION No:

—

SCALE:

NTS

DWG No:

MS010

# FIG G: FRONT CASTER ASSEMBLY

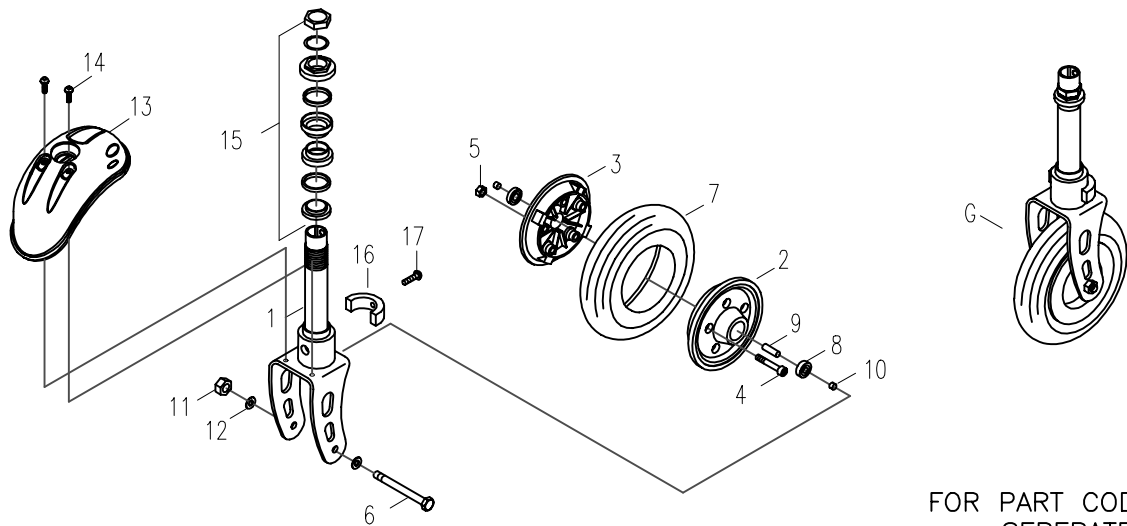


FIG G

FOR PART CODES, SEE SEPERATE LISTING

# FIG H: REAR WHEEL ASSEMBLY

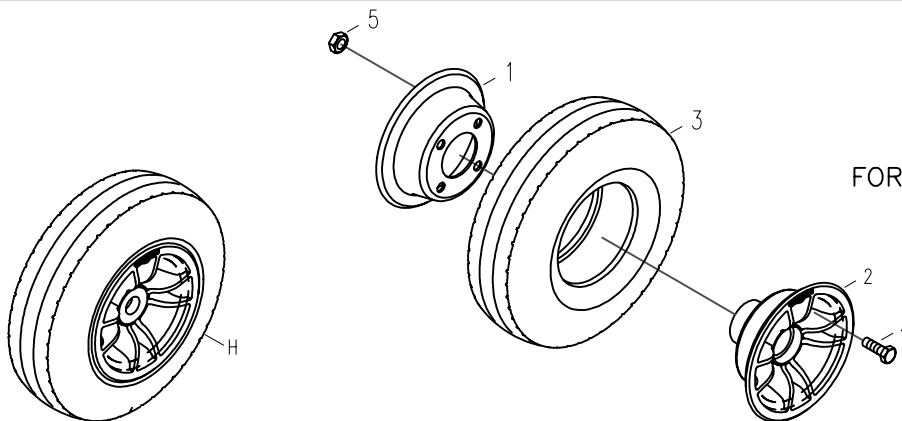


FIG H

FOR PART CODES, SEE SEPERATE LISTING

# FIG I: MOTOR ASSEMBLY

FOR PART CODES, SEE SEPERATE LISTING

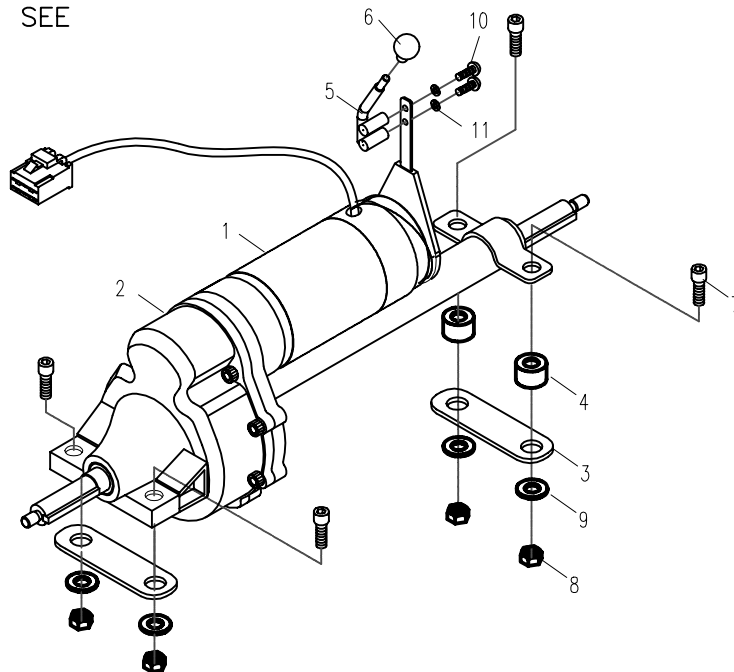


FIG I



TITLE:

PARTS CATALOGUE  
MS010 PIONEER  
MINI SCOOTER

DATE:

28/05/02

SHEET No:

3 of 6

DRAWN:

PMK

CHECKED:

REVISION No:

—

SCALE:

NTS

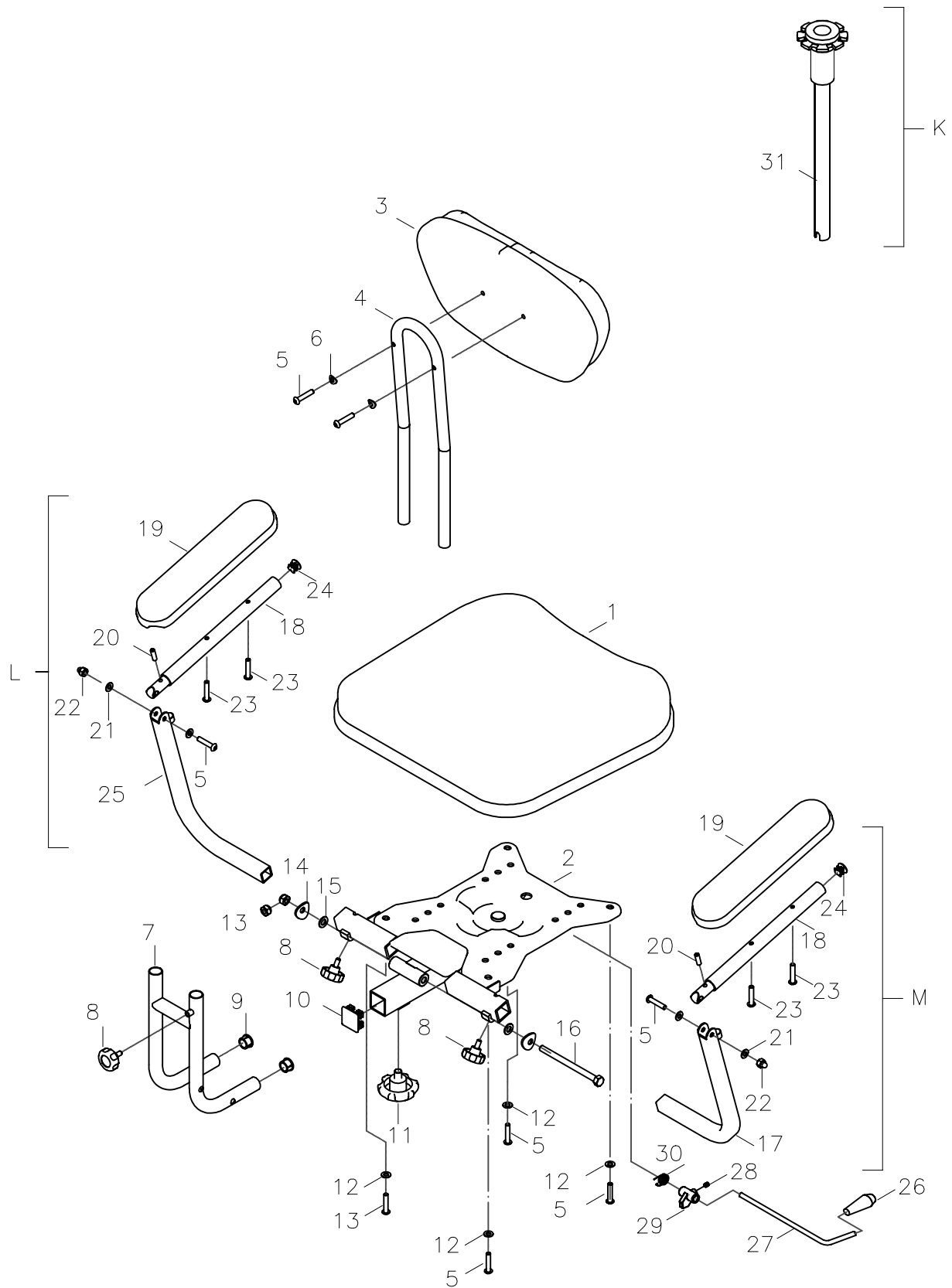
DWG No:

MS010

# FIG J: DELUXE SEAT ASSEMBLY

FOR PART CODES, SEE  
SEPERATE LISTING

FIG J



TITLE:

PARTS CATALOGUE  
MS010 PIONEER  
MINI SCOOTER

DATE:

28/05/02

SHEET No:

4 of 6

DRAWN:

PMK

CHECKED:

REVISION No:

—

SCALE:

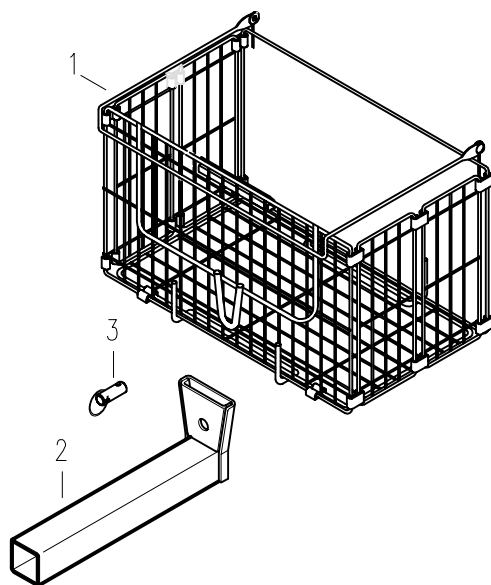
NTS

DWG No:

MS010

# FIG N: REAR FOLDING BASKET ASSEMBLY

FOR PART CODES, SEE  
SEPERATE LISTING



TITLE:

PARTS CATALOGUE  
MS010 PIONEER  
MINI SCOOTER

DATE:

28/05/02

SHEET No:

5 of 6

DRAWN:

PMK

CHECKED:

REVISION No:

—

SCALE:

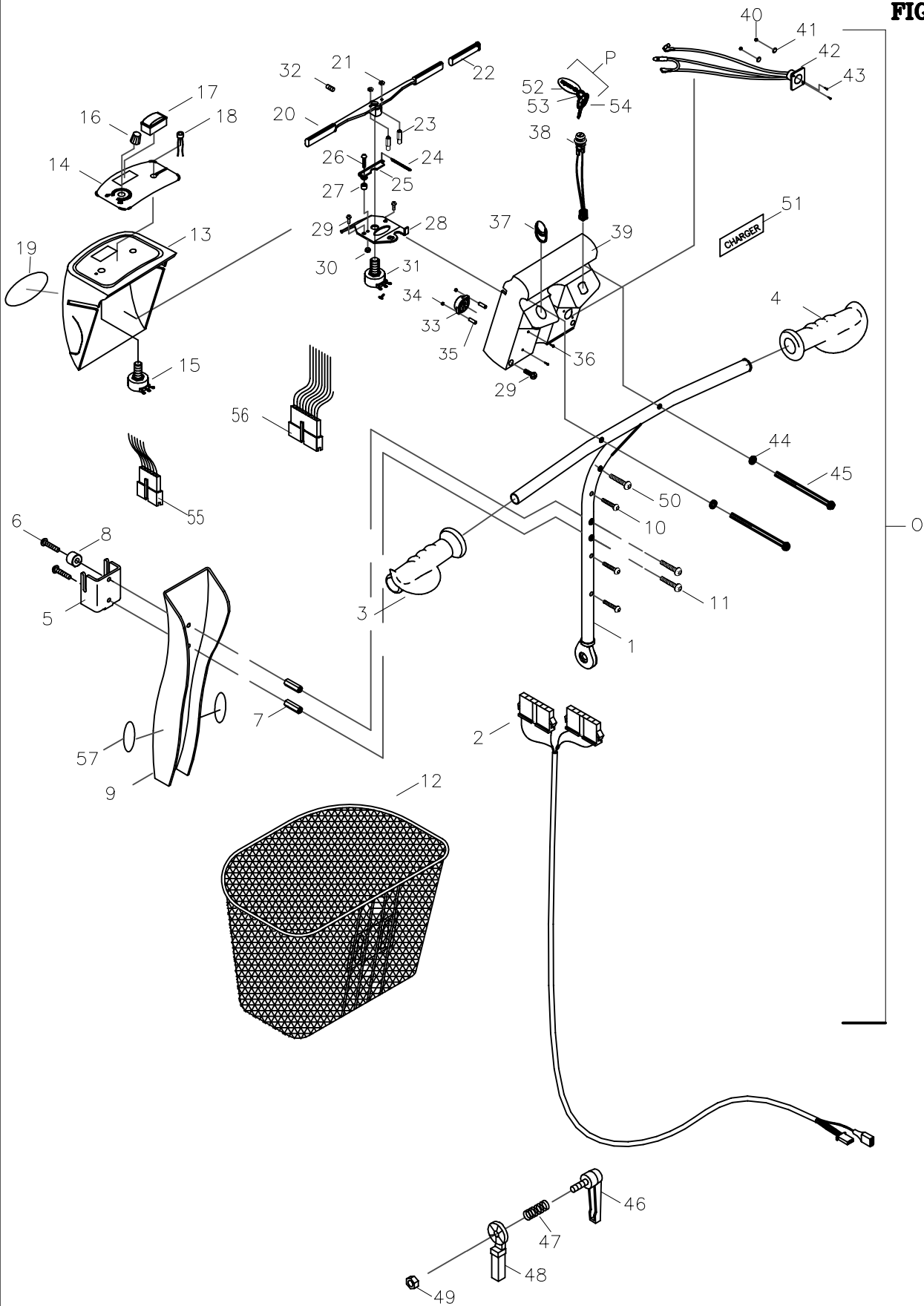
NTS

DWG No:

MS010

# FIG 0: TILLER ASSEMBLY

FIG 0



FOR PART CODES, SEE SEPERATE LISTING



TITLE:

PARTS CATALOGUE  
MS010 PIONEER  
MINI SCOOTER

DATE:

28/05/02

SHEET No:

6 of 6

DRAWN:

PMK

CHECKED:

REVISION No:

—

SCALE:

NTS

DWG No:

MS010



# PIONEER (MS010)

## SPARE PARTS LISTING

FIG	QTY	PART	DESCRIPTION
-----	-----	------	-------------

**PART ASSEMBLIES (as shown on the MS010 parts catalogue diagram)**

A	1	MS 30300061	FRAME ASSEMBLY
B	1	MS 34203067	LHS ANTI-TIP WHEEL
C	1	MS 34203068	RHS ANTI-TIP WHEEL
D	1	MS 65102002	CHARGER
E	1	MS 30510201	SHROUD ASSEMBLY
F	1	MS 33700020	BATTERY PACK
G	1	MS 33100074	FRONT CASTER ASSEMBLY
H	2	MS 32600060	REAR WHEEL ASSEMBLY
I	1	MS 62000036	MOTOR ASSEMBLY
J	1	MS 32200058	DELUXE SEAT ASSEMBLY (GREY)
K	-	MS 32101014	SEAT POST
L	-	MS 31005010	LHS ARMREST
M	-	MS 31005011	RHS ARMREST
N	1	SEE BELOW	REAR FOLDING BASKET
O	1	MS 32101014	TILLER ASSEMBLY
P	-	MS 33700021	KEY SET

**FIG A: FRAME ASSEMBLY**

1	1	MS 30303071	FRAME
2	1	MS 30327001	SEAT STEM BRACKET WITH QUICK RELEASE LEVER
3	1	MS 33530001	LOWER TILLER RATCHET POST
4	1	MS 46700013	TILLER LOCK LEVER
5	1	MS 53500016	SPRING
6	1	MS 53210007	M10 NYLOC NUT
7	1	MS 64510001	DYNAMICS RHINO CONTROLLER
8	3	MS 50104005	M4 X 25 SCREW
9	1	MS 34299001	TOWING HANDLE
10	1	MS 61210047	CABLE GUIDE
11	1	MS 63800054	MOTOR LOOM
12	1	MS 53208006	M8 NUT
13	1	MS 63200029	BATTERY LOOM
14	2	MS 51206005	M6 X 10 SCREW
15	4	MS 51205004	M5 X 45 SCREW
16	2	MS 50104004	M4 X 20 SCREW
17	5	MS 53204002	M4 NYLOC NUT
18	4	MS 53205007	M5 NYLOC NUT
19	1	MS 42200023	REAR SHROUD SUPPORT PLATE

**FIG B: LHS ANTI-TIP WHEEL**

1	1	MS 34203066	ANTI-TIP TUBING
2	1	MS 44600014	40mm ANTI TIP WHEEL
3	1	MS 50606002	M6 X 36.5 SCREW
4	2	MS 53106015	M6 NYLON WASHER
5	1	MS 53206008	M6 NYLOC NUT

**FIG C: LHS ANTI-TIP WHEEL**

1	1	MS 34203066	ANTI-TIP TUBING
2	1	MS 44600014	40mm ANTI TIP WHEEL
3	1	MS 50606002	M6 X 36.5 SCREW
4	2	MS 53106015	M6 NYLON WASHER



# PIONEER (MS010)

## SPARE PARTS LISTING

FIG	QTY	PART	DESCRIPTION
-----	-----	------	-------------

5	1	MS 53206008	M6 NYLOC NUT
---	---	-------------	--------------

### FIG D: CHARGER

1	1	MS 65102002	24V 1.8A OFFBOARD CHARGER
2	1	MS 63600007	UK MAINS CABLE

### FIG E: SHROUD

1	1	MS 30510202	SHROUD (RED)
2	1	MS 30510203	BATTERY COVER (RED)
3	1	MS 44600138	BLACK HUB CAP
4	2	MS 41200287	BATTERY COVER HINGE
5	16	MS 53800004	BLIND RIVET
6	2	MS 43600302	REAR REFLECTOR
7	2	MS 44600143	RUBBER BODY INSERT
8	1	MS 43701004	CARPET
9	1	MS 75142402	LABEL FOR FREEWHEEL DEVICE
10	2	MS 75132403	SIDE SHROUD DECAL
11	1	MS 751143501	WOOD EFFECT DECAL
12	2	MS 43700282	VELCRO TAPE, MALE
13	1	MS 61210005	PUSH TIE-MOUNT
14	1	MS 61120021	40A FUSE

### FIG F: BATTERY PACK

1	2	12V12AH	12V 12AH BATTERY
2	1	MS 43700307	BATTERY BAG
3	1	MS 41200301	PLASTIC SEPERATOR PLATE
4	1	MS 63200030	BATTERY TO CONTROLLER LOOM
5	1	MS 63200031	BATTERY TO BATTERY LOOM

### FIG G: FRONT CASTER ASSEMBLY

1	1	MS 33103014	FRONT FORK
2	1	MS 43600250	RIM, 5H, BLACK, 200 X 50 WHEEL
3	1	MS 43600251	RIM, 6H, BLACK, 200 X 50 WHEEL
4	5	MS 51106008	M60 X 30 CAP HEAD SCREW
5	5	MS 53206010	M6 NYLOC NUT
6	1	MS 51008023	M8 X 82 AXLE
7	1	MS 43600409	200 X 50 FOAM FILLED TYRE
8	2	MS 53300002	608ZZ BEARING
9	1	MS 53600025	42 X 11 SPACER
10	2	MS 53600008	3 X 11 SPACER
11	1	MS 53208012	M8 NYLOC NUT
12	2	MS 53108010	M8 WASHER
13	1	MS 30510154	WHEEL SHROUD (RED)
14	2	MS 51206005	M6 X 10 SCREW
15	1	MS 53400024	BEARING SET
16	1	MS 41300208	STOPPER,TILLER SWING
17	1	MS 51206025	M6 X 25 BOLT

### FIG H: REAR WHEEL ASSEMBLY

1	1	MS 32603001	RIM (B), 7" TYRE
2	1	MS 42500058	RIM, REAR WHEEL (RED)





# PIONEER (MS010)

## SPARE PARTS LISTING

FIG	QTY	PART	DESCRIPTION
3	1	MS 436000409	200 X 50 FOAM FILLED TYRE
4	4	MS 50208020	M8 X 15 HEX HEAD SCREW
5	4	MS 53208012	M8 NYLOC NUT

### **FIG I: MOTOR ASSEMBLY**

1	1	MS 62100049	MOTOR ASSEMBLY
2	1	MS 62400039	REDUCTION GEAR BOX
3	2	MS 44200012	RUBBER BUFFER PAD
4	2	MS 42300062	SPACER
5	1	MS 24303069	FREEWHEEL DEVICE LEVER
6	1	MS 43600151	BALL END
7	4	MS 50508002	M8 X 55 CAP HEAD SCREW
8	4	MS 53208012	M8 NYLOC NUT
9	4	MS 53108009	M8 WASHER
10	2	MS 50405001	M5 SCREW
11	2	MS 53105012	M5 SPRING WASHER

### **FIG J: DELUXE SEAT ASSEMBLY (GREY)**

1	1	MS 43700512	SEAT PAD (GREY)
2	1	MS 32103003	SEAT SUPPORT PLATE
3	1	MS 43700513	BACK PAD (GREY)
4	1	MS 30630002	UPPER BACKREST TUBE
5	8	MS 51206001	M6 X 30 SCREW
6	2	MS 53106002	WASHER
7	1	MS 30605004	LOWER BACKREST TUBE
8	3	MS 43600227	SECUREMENT KNOB, BLACK
9	2	MS 43600190	PLUG, BLACK
10	1	MS 43600306	END PLUG, SQUARE
11	1	MS 43600270	M10 SECUREMENT KNOB
12	4	MS 53106011	WASHER
13	1	MS 53208010	M8 NYLOC NUT
14	2	MS 53108014	M8 CONCAVE WASHER
15	2	MS 53108004	M8 WASHER
16	1	MS 51008022	M8 AXLE BOLT
17	1	MS 31005009	RHS ARMREST SUPPORT TUBE
18	2	MS 31005007	ARMREST TUBE
19	2	MS 43700869	PADDED ARM PAD, BLACK
20	2	MS 50706001	M6 X 16 SET SCREW
21	4	MS 53106006	M6 WASHER
22	2	MS 53206004	NUT WITH PLASTIC CAP
23	4	MS 50106009	M6 X 30 SCREW
24	2	MS 43600190	PLUG, BLACK
25	1	MS 31005008	LHS ARMREST SUPPORT TUBE
26	1	MS 44600060	BLACK TIP, R. LEVER
27	1	MS 24210002	RELEASE LEVER, 'L' TYPE
28	1	MS 50708002	M8 X 8 SET SCREW
29	1	MS 41500007	LOCATING, R. LEVER
30	1	MS 53500029	TORQUE SPRING, LEVER

### **FIG N: REAR FOLDING BASKET ASSEMBLY**

1	1	MS 41700047	REAR FOLDING BASKET
---	---	-------------	---------------------



# PIONEER (MS010)

## SPARE PARTS LISTING

FIG	QTY	PART	DESCRIPTION
-----	-----	------	-------------

2	1	MS 24303041	REAR BASKET HOLDER SET
3	1	MS 41300008	PIN, REAR BASKET

### FIG O: TILLER ASSEMBLY

1	1	MS 33503015	TILLER FRAME
2	1	MS 63143502	TILLER TO CONTROLLER LOOM
3	1	MS 44600158	LHS HAND GRIP
4	1	MS 44600159	RHS HAND GRIP
5	1	MS 41200317	BASKET HOLDER
6	2	MS 51206005	M6 X 10 SCREW
7	2	MS 41300011	BASKET POST
8	1	MS 41300226	BASKET SUPPORT COLUMN
9	1	MS 30510156	TILLER STEM SHROUD (RED)
10	3	MS 50104007	M4 X 30 SCREW
11	2	MS 51206020	M6 X 35 SCREW
12	1	MS 41700041	BASKET
13	1	MS 30510070	UPPER DASHBOARD COVER (RED)
14	1	MS 75100259	DASHBOARD DECAL (WOOD EFFECT)
15	1	MS 61020007	5K POTENTIOMETER
16	1	MS 61180003	SPEED DIAL
17	1	MS 61220004	BATTERY GAUGE
18	1	MS 61200003	POWER EYE
19	1	MS 75141408	WHEELTECH DECAL
20	1	MS 33501013	WIGWAG PADDLE
21	2	MS 53203003	M3 NYLOC NUT
22	2	MS 43700342	WIGWAG PADDLE VINYL TIP
23	2	MS 41300009	STEEL PIN
24	1	MS 53500061	SPRING, POT. RETURN
25	1	MS 41200290	SETTING PLATE, POT.
26	1	MS 50104005	M4 X 25 SCREW
27	1	MS 42300038	SPACER
28	1	MS 41200171	PLATE, POT
29	4	MS 50104002	M4 X 10 SCREW
30	1	MS 53204001	M4 NYLOC NUT
31	1	MS 61020007	5K POTENTIOMETER
32	2	MS 50705002	M5 SET SCREW
33	1	MS 61170002	BUZZER
34	2	MS 53203001	M3 NYLOC NUT
35	2	MS 41300121	SPACER
36	2	MS 50103005	M3 X 30 SCREW
37	1	MS 61090036	HORN SWITCH
38	1	MS 61090034	KEY SWITCH
39	1	MS 30510120	LOWER DASHBOARD COVER (RED)
40	2	MS 53202001	M2 NUT
41	2	MS 53102001	M2 SPRING WASHER
42	1	MS 63900031	CHARGING SOCKET
43	2	MS 50202001	M2 X 12 SCREW
44	2	MS 53104002	M4 DASH WASHER
45	2	MS 50104011	M4 X 95 SCREW
46	1	MS 46700013	TILLER LOCK LEVER
47	1	MS 53500016	SPRING



# PIONEER (MS010)

## SPARE PARTS LISTING

FIG	QTY	PART	DESCRIPTION
48	1	MS 33530001	LOWER RATCHET POST
49	1	MS 53210003	M10 NYLOC NUT
50	1	MS 50104005	M4 X 25 SCREW
51	1	MS 75141407	LABEL FOR CHARGER SOCKET
52	1	MS 41300213	LOGO PLATE
53	1	MS 41300214	KEY RING
54	2	MS 42600001	KEY
55	1	MS 63500024	UPPER DASHBOARD TO TILLER LOOM
56	1	MS 63500025	LOWER DASHBOARD TO TILLER LOOM