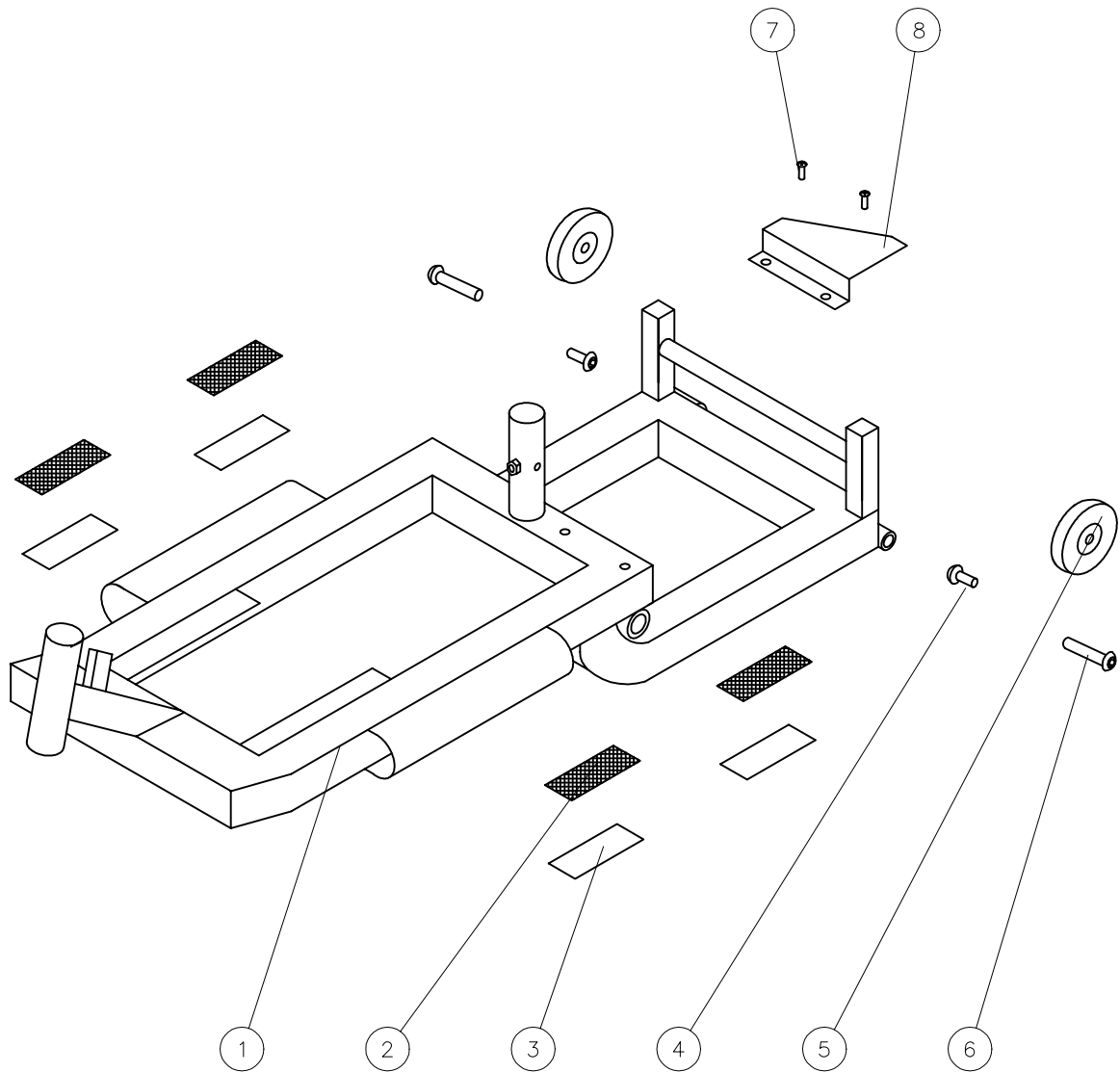


FIG A: FRAME ASSEMBLY



FOR PART CODES,
SEE SEPERATE
LISTING

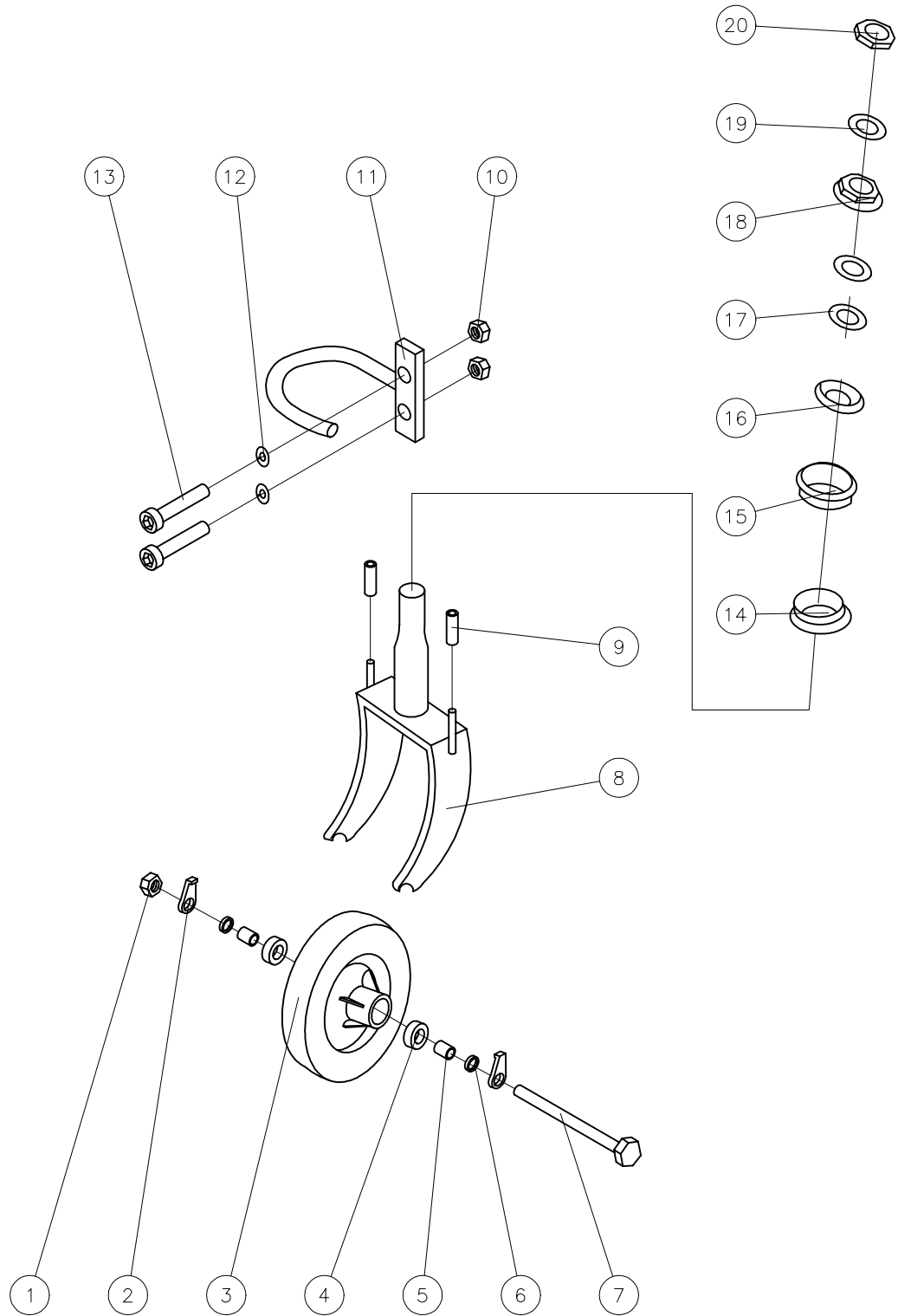


TITLE:
PARTS CATALOGUE
APOLLO
3-WHEEL SCOOTER

DATE: 11/07/02
DRAWN: PMK
SCALE: NTS

SHEET No: 1 of 1
REVISION No: —
DWG No: APOLLO

FIG B: FRONT FORK ASSEMBLY



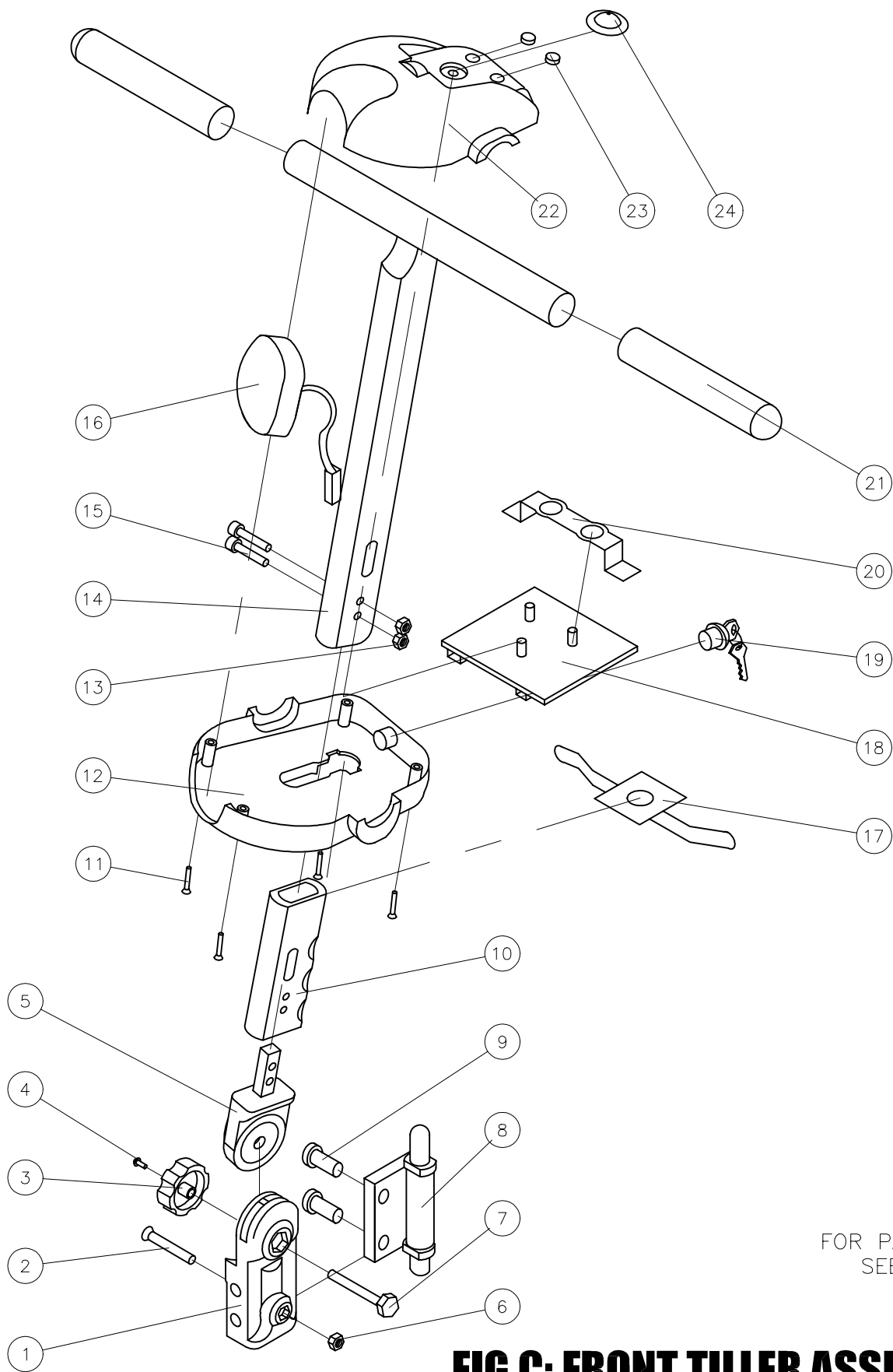
FOR PART CODES,
SEE SEPERATE
LISTING



TITLE:
PARTS CATALOGUE
APOLLO
3-WHEEL SCOOTER

DATE: 11/07/02
DRAWN: PMK
SCALE: NTS

SHEET No: 1 of 1
REVISION No: —
DWG No: APOLLO



FOR PART CODES,
SEE SEPERATE
LISTING

FIG C: FRONT TILLER ASSEMBLY

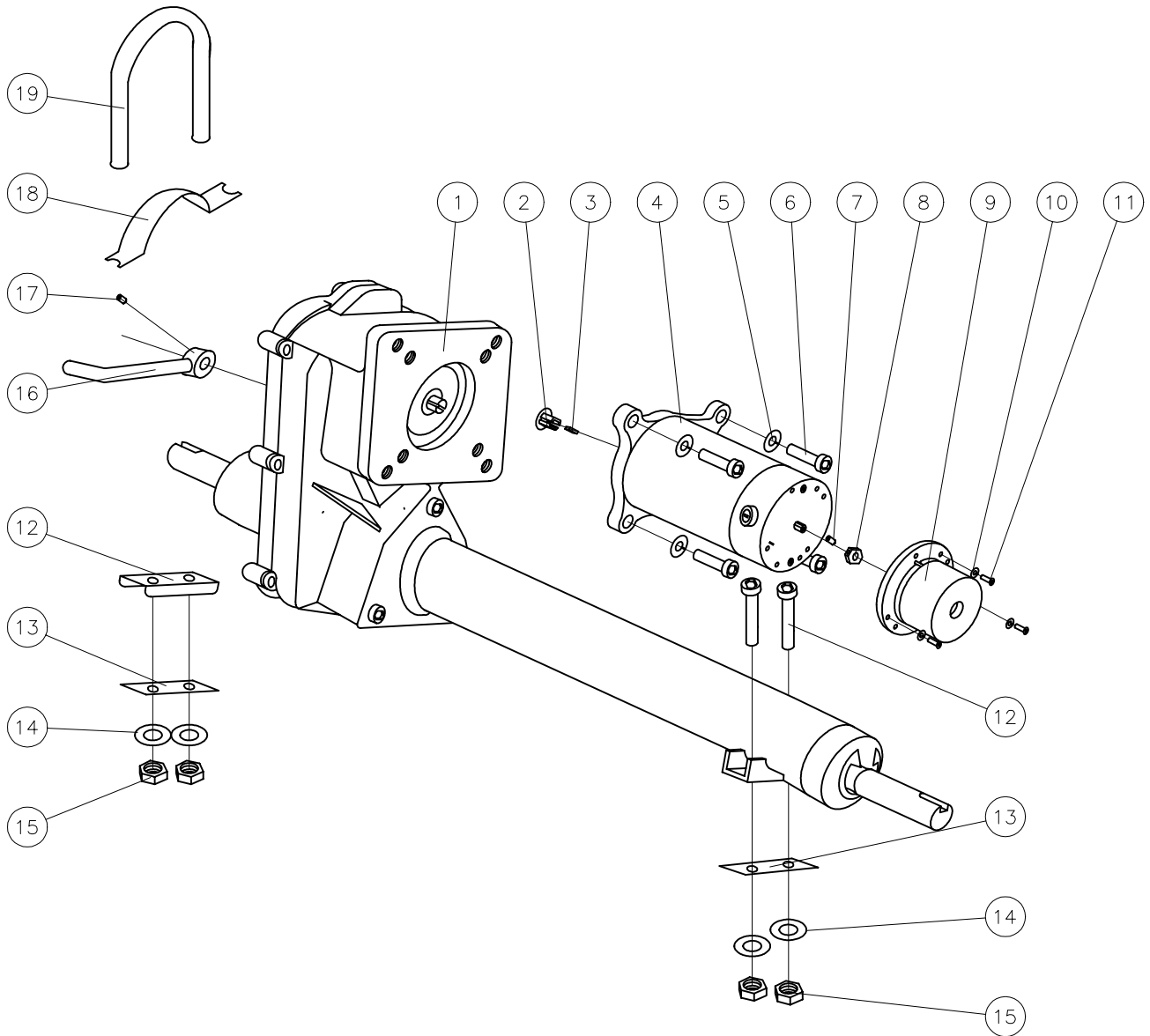


TITLE:
PARTS CATALOGUE
APOLLO
3-WHEEL SCOOTER

DATE: 11/07/02
DRAWN: PMK
SCALE: NTS

SHEET No: 1 of 1
CHECKED:
REVISION No: —
DWG No: APOLLO

FIG D: MOTOR AND TRANSAXLE ASSEMBLY



FOR PART CODES,
SEE SEPERATE
LISTING



TITLE:
PARTS CATALOGUE
APOLLO
3-WHEEL SCOOTER

DATE: 11/07/02
DRAWN: PMK
SCALE: NTS

SHEET No: 1 of 1
CHECKED:
REVISION No: —
DWG No: APOLLO

FIG E: REAR WHEEL ASSEMBLY

FOR PART CODES,
SEE SEPERATE
LISTING

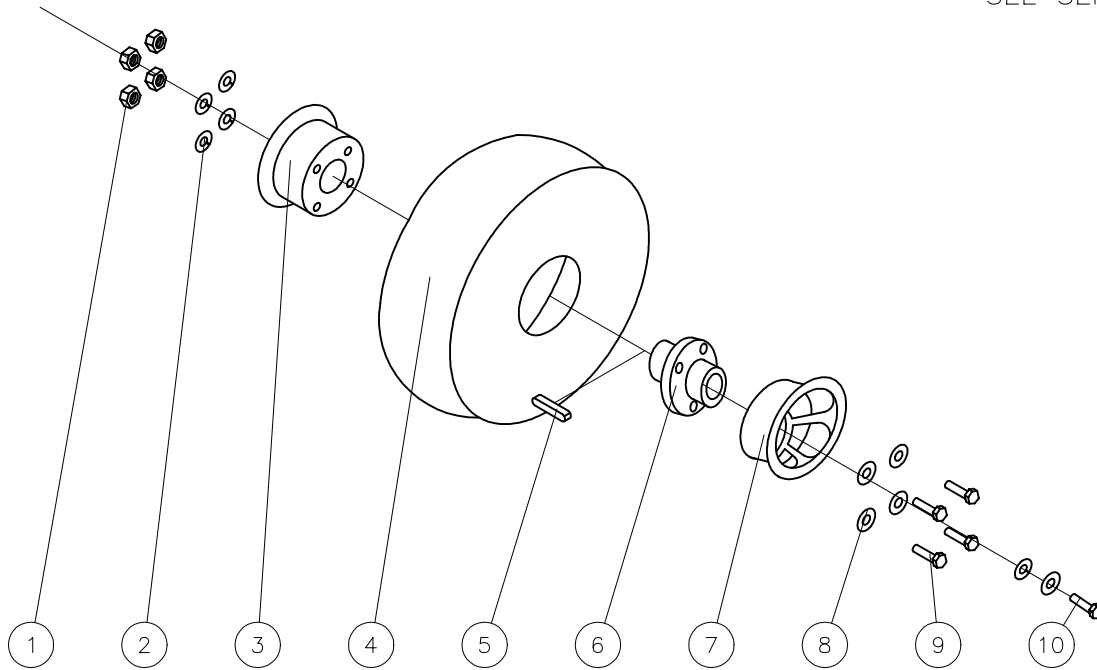
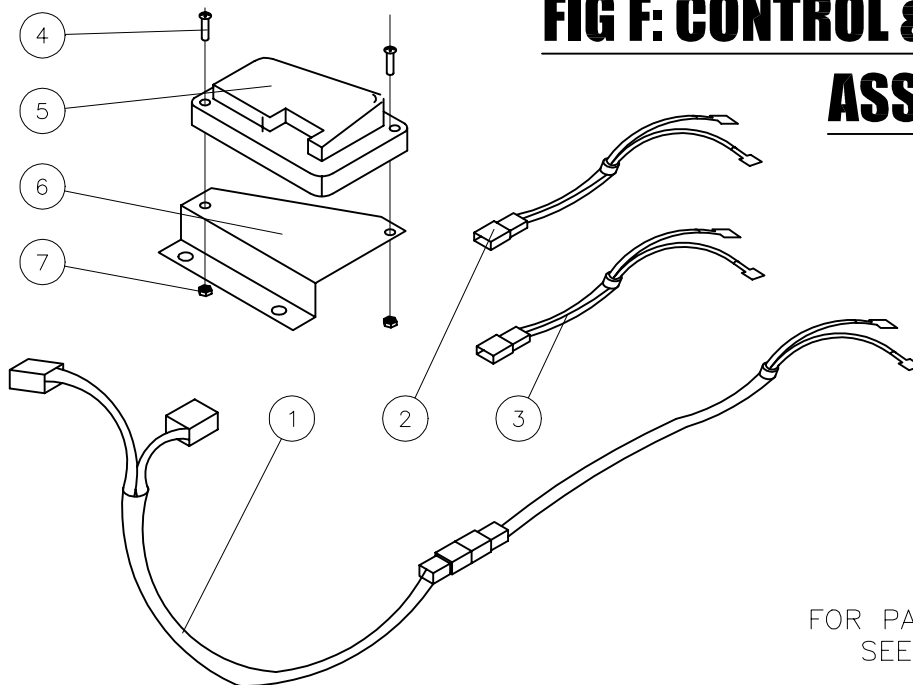


FIG F: CONTROL & LOOM ASSEMBLY



FOR PART CODES,
SEE SEPERATE
LISTING



TITLE:
PARTS CATALOGUE
APOLLO
3-WHEEL SCOOTER

DATE: 11/07/02

SHEET No: 1 of 1

DRAWN: PMK

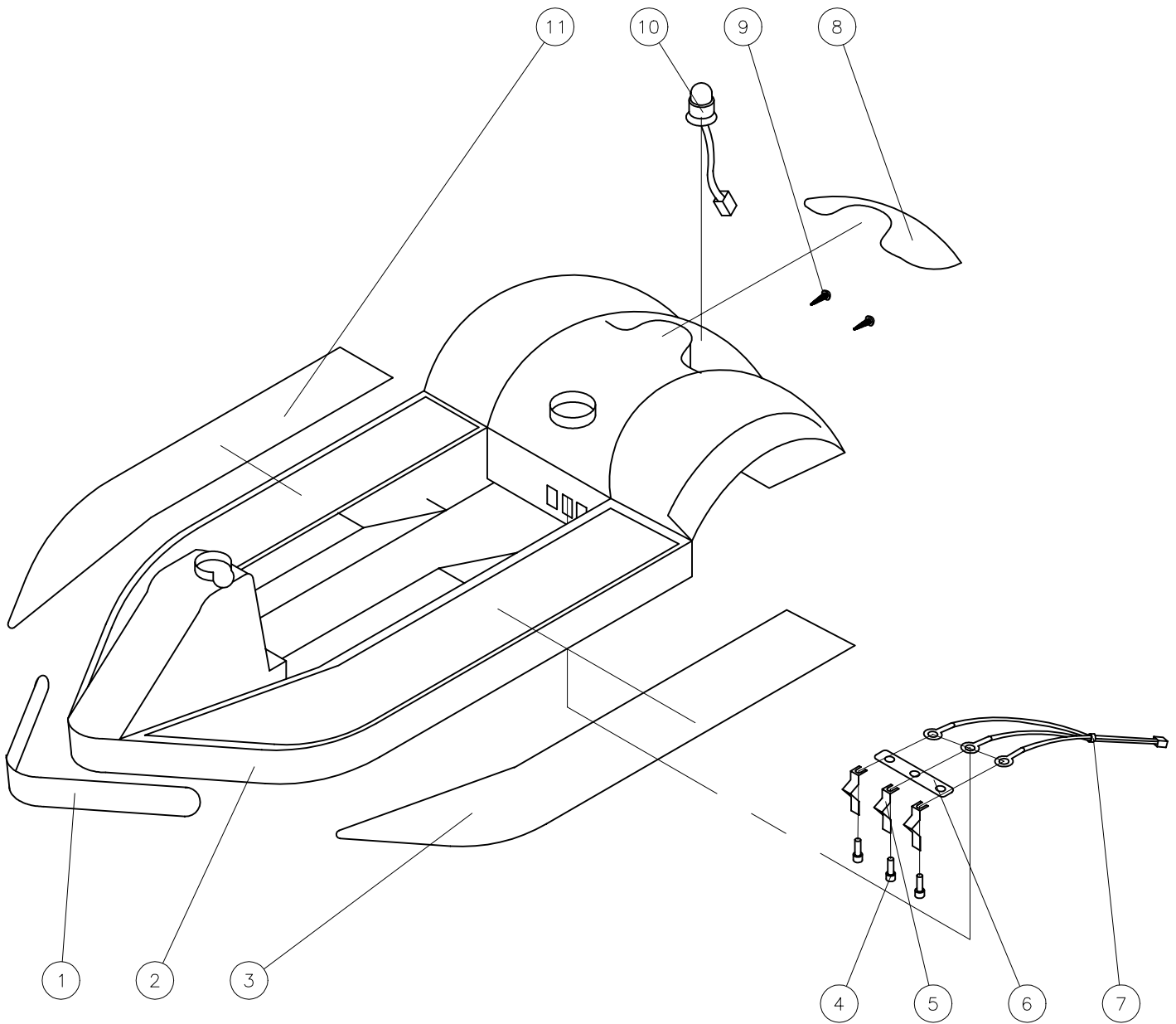
CHECKED:

REVISION No: —

SCALE: NTS

DWG No: APOLLO

FIG G: SHROUD ASSEMBLY



FOR PART CODES,
SEE SEPERATE
LISTING



TITLE:
PARTS CATALOGUE
APOLLO
3-WHEEL SCOOTER

DATE: 11/07/02

SHEET No: 1 of 1

DRAWN: PMK

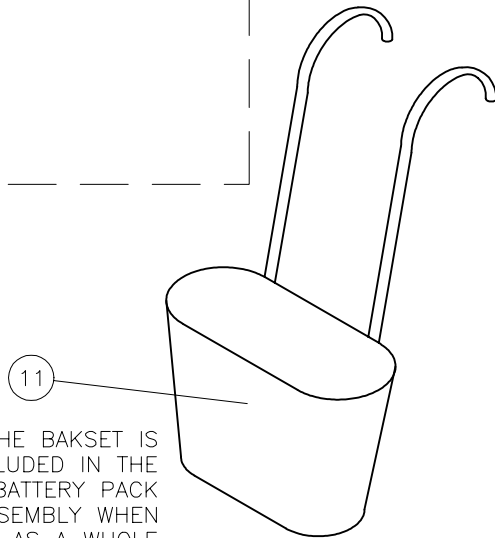
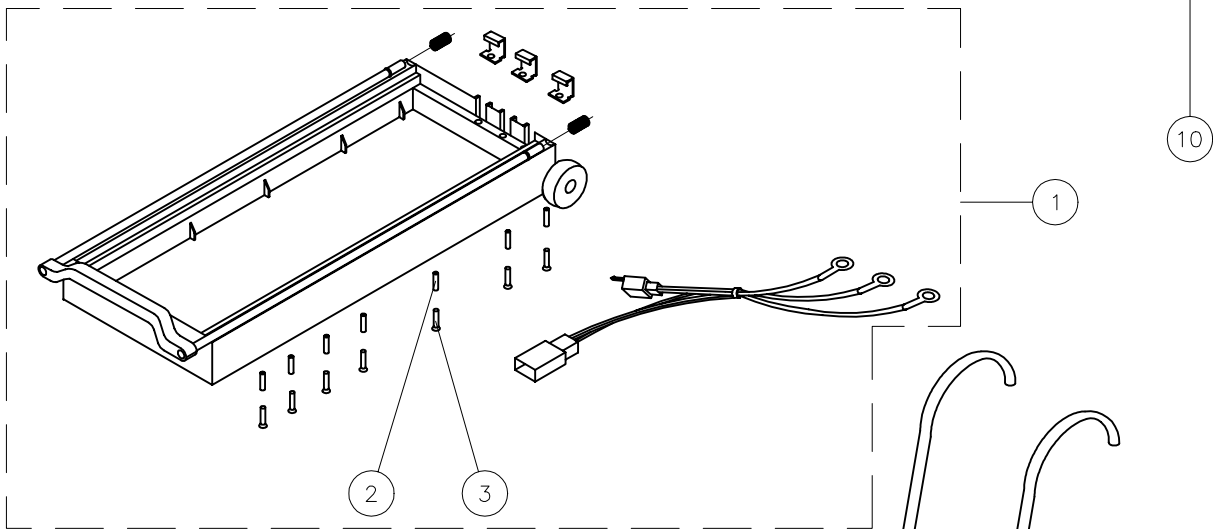
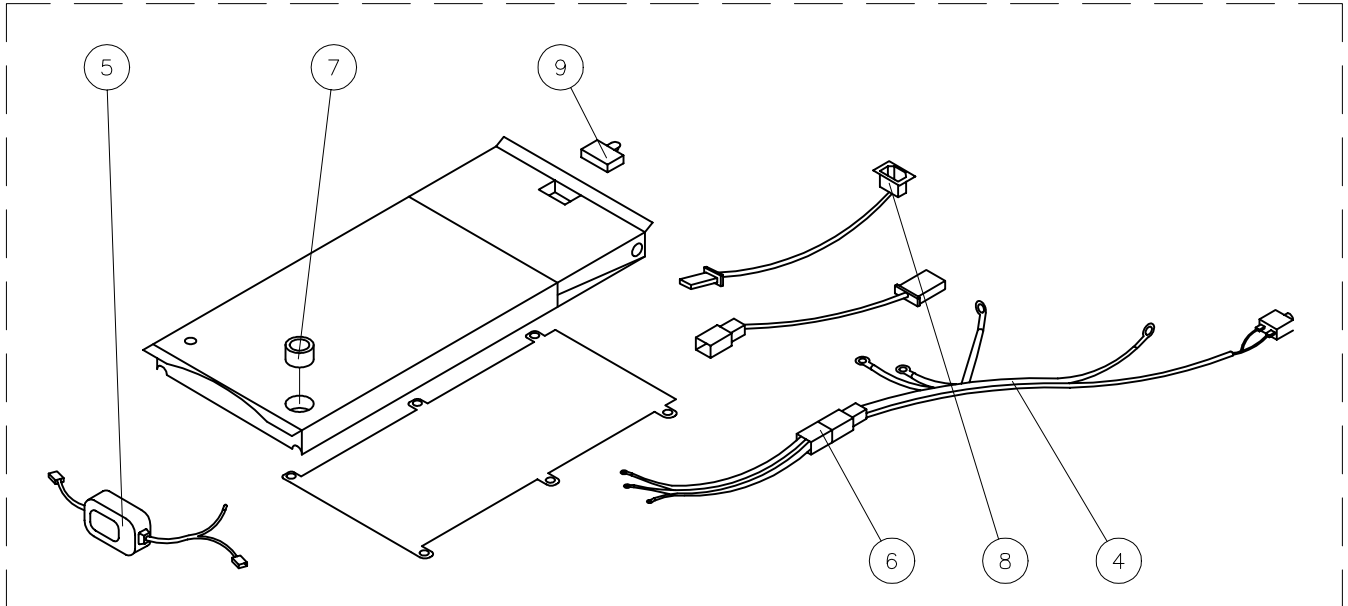
CHECKED:

REVISION No: —

SCALE: NTS

DWG No: APOLLO

FIG H: BATTERY PACK ASSEMBLY



N.B. – THE BAKSET IS NOT INCLUDED IN THE BATTERY PACK ASSEMBLY WHEN BOUGHT AS A WHOLE

FOR PART CODES, SEE SEPERATE LISTING

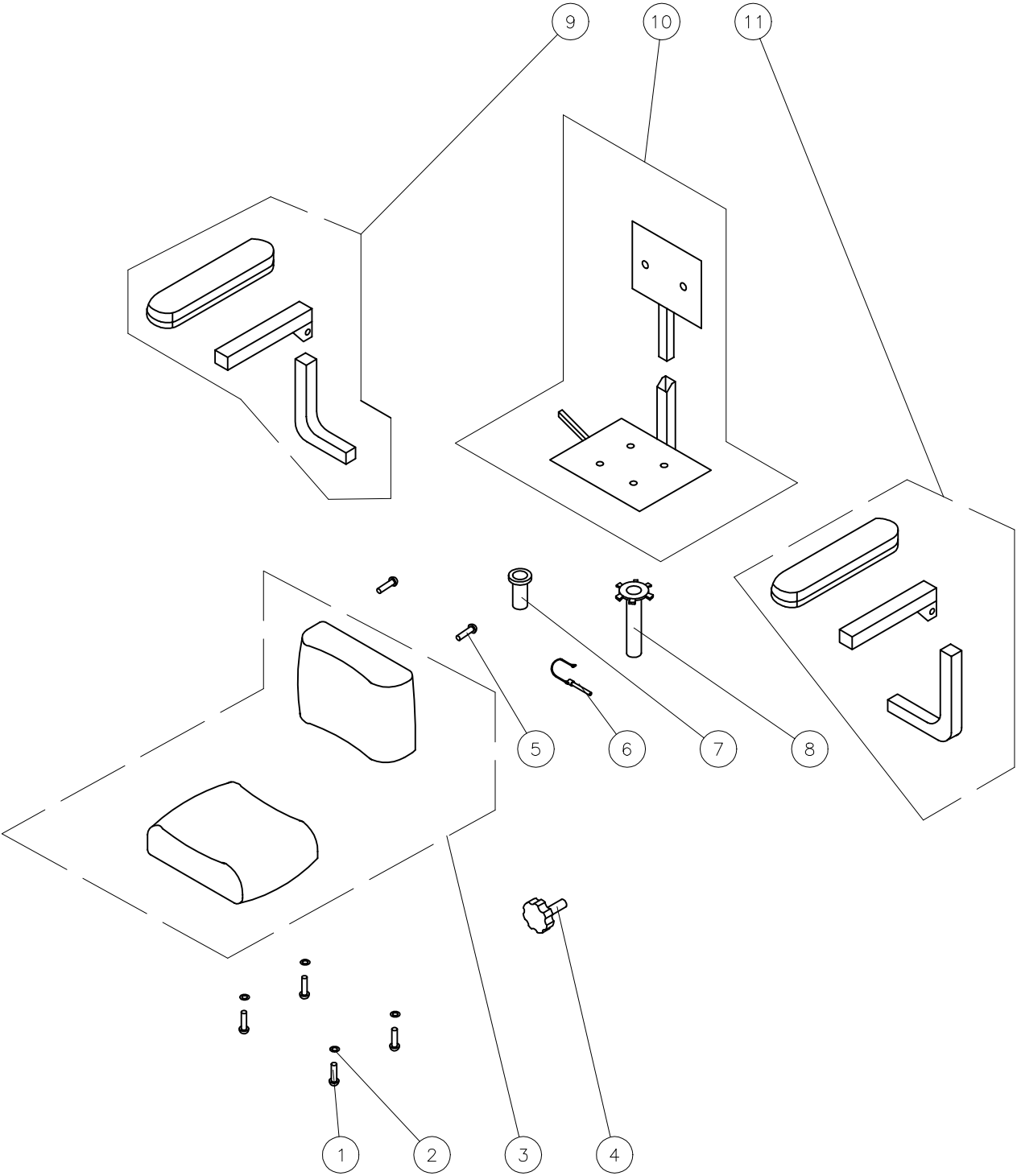


TITLE:	PARTS CATALOGUE APOLLO 3-WHEEL SCOOTER	
--------	--	--

DATE:	11/07/02	
DRAWN:	PMK	CHECKED:
SCALE:	NTS	

SHEET No:	7 of 8	
REVISION No:	—	
DWG No:	APOLLO	

FIG I: SEAT ASSEMBLY



FOR PART CODES,
SEE SEPERATE
LISTING



TITLE:
PARTS CATALOGUE
APOLLO
3-WHEEL SCOOTER

DATE: 11/07/02
DRAWN: PMK
SCALE: NTS

SHEET No: 1 of 1
CHECKED:
REVISION No: —
DWG No: APOLLO



APOLLO

SPARE PARTS LISTING

FIG	QTY	DESCRIPTION
-----	-----	-------------

SUB ASSEMBLIES

A	1	FRAME ASSEMBLY
B	1	FRONT FORK ASSEMBLY
C	1	FRONT TILLER ASSEMBLY
D	1	MOTOR AND TRANSAXLE ASSEMBLY
E	2	REAR WHEEL ASSEMBLY
F	1	CONTROL AND LOOM ASSEMBLY
G	1	SHROUD ASSEMBLY
H	1	3B2601900000 BATTERY PACK ASSEMBLY
I	1	STANDARD SEAT ASSEMBLY

FIG A: FRAME ASSEMBLY

1	1	3B0100100000	APOLLO FRAME
2	2	M43110206000	VELCRO STRIP 160mm LOOP
3	2	M43110106000	VELCRO STRIP 160mm HOOK
4	2		
5	2	3B2800100000	ANTI-TIP WHEEL
6	2	902708050	M8 X 55 LOCKING BOLT
7	2	900506020	M6 X 20 FLAT SCREW

FIG B: FRONT FORK

1	1	920110000	M10 NUT
2	2	921310000	M10 SAFETY TAB WASHER
3	1	T30500100000	200X50 FRONT WHEEL (GREY)
4	2	965369000	FRONT WHEEL BEARING
5	2	3B0300200000	SPACER TUBE
6	2		
7	1	900210097	FRONT WHEEL AXLE
8	1	3B0300100000	FRONT FORK
9	2		
10	2	920206000	M6 NUT
11	1	3B0200700000	CARRY HANDLE
12	2	921106000	M6 SPRING WASHER
13	2	902106030	M6 X 30 HEX BOLT
14	1	M42900100000	LOWER BALL BOWL
15	1	M42910106000	UPPER BALL BOWL
16	1	M42910306000	BEARING HOLDER
17	2	M42910209100	BEARING
18	1	M42910406000	BEARING BUSH
19	1	921429000	LOCKING WASHER
20	1	M42910506000	LOCKING NUT

FIG C: FRONT TILLER ASSEMBLY

1	1	3B0200500000	LOWER FOLDING DEVICE
2	1	902608045	M8 X 45 FLAT BOLT
3	1		
4	1	3B0200300000	HEX BOLT SET, FOLDING DEVICE
5	1	3B0200200000	UPPER FOLDING DEVICE
6	1	920108000	M8 NUT
7	1		
8	1	3B0200400000	POSITIONING COMP, TILLER



APOLLO

SPARE PARTS LISTING

FIG	QTY		DESCRIPTION
9	2	902106012	M6 X 35 HEX BOLT
10	1	3B200010000	RUBBER COVER, TILLER BAR
11	4	901003520	CR HD FLAT SCREW, M3.5X20
12	1	3B0800500000	TILLER POD LOWER SHROUD
13	1	920108000	M8 NUT
14	1	3B0200100000	HANDLE BAR TUBING
15	1	902108035	M8 X 35 HEX BOLT
16	1	3B1300100000	FRONT HEADLAMP (C/W BULB)
17	1		WIGWAG PADDLE
18	1	3B0800100000	CONTROLS MOUNT
19	1		IGNITION KEY BARREL
20	1	3B0800800000	BUTTON MOUNTING PLATE
21	2	3B2000200000	RUBBER HAND GRIP
22	1	3B0800400000	TILLER POD UPPER SHROUD
23	2	3B0800700000	HORN / LAMP BUTTON
24	1	3B0800600000	SPEED DIAL KNOB

FIG D: MOTOR AND TRANSAXLE ASSEMBLY

1	1	3B0900300000	TRANSAXLE
2	1		
3	1		
4	1	3B0900100000	MOTOR
5	4	921105016	5/16" SPRING WASHER
6	4	902108020	M8 X 20 HEX BOLT
7	1		
8	1		
9	1	M40910307700	ELECTROMAGENTIC BRAKE
10	3	921104000	M4 SPRING WASHER
11	3	900404010	CR RD HD SCREW M4 X 10
12	2	902108050	M8 X 50 HEX BOLT
13	2	M40590206000	RUBBER DAMPER
14	4	921408000	M8 PLAIN WASHER
15	4	920108000	M8 LOCKING NUT
16	1	3B0900400000	FREEWHEEL LEVER
17	1		GRUB SCREW FOR FREEWHEEL LEVER
18	1	M40910409200	ARCH TYPE MOTOR PLATE
19	1	902408095	U TYPE BOLT M8 X 1.25 X 95H
20	1	3B0900200000	U TYPE FIXING PLATE

FIG E: REAR WHEEL ASSEMBLY

1	4	920108000	M8 NUT
2	4	921105016	5/16" SPRING WASHER
3	1	M40510406000	INNER RIM
4	1	T30600100000	REAR WHEEL TYRE (GREY)
5	1	935705020	DOUBLE ROUND END PIN
6	1	M40610200000	AXLE COLLAR
7	1	M40510308000	OUTER RIM
8	1	921408000	3/8" PLAIN WASHER
9	5	900208025	M6 X 25 HEX BOLT

FIG F: CONTROL AND LOOM ASSEMBLY



APOLLO

SPARE PARTS LISTING

FIG	QTY		DESCRIPTION
1	1	3B1800100000	MAIN LOOM
2	2	3B0900500000	MOTOR LOOM
3	1	3B1200500000	IGNITION REAR LOOM
4	2	900505020	CR RD HD SCREW M5 X 20
5	1	M41010104200	CONTROLLER
6	1	3B1000100000	CONTROLLER BRACKET
7	2	920105000	M5 NUT

FIG G: SHROUD ASSEMBLY

1	1	3B2500600000	RUB STRIP
2	1	3B0800305100	MAIN SHROUD (BLUE)
		3B0800301100	MAIN SHROUD (RED)
3	1	3B2500100000	LHS RUBBER FOOT MAT
4	3	900505015	FLAT SCREW M5X15
5	3	3B2601100000	CLIP CONTACT
6	1	3B2601500000	BAKELITE
7	11	3B1200500000	FRONT SECTION LOOM
8	1	3B1400100000	REAR LAMP COVER (TRANSLUCENT RED)
9	2	900504012	FLAT SCREW M4X12
10	1	3B1700100000	REAR LAMP (C/W BULB)
11	1	3B2500200000	RHS RUBBER FOOT MAT

FIG H: BATTERY PACK ASSEMBLY

1	1	3B2600200000	BATTERY PACK - LOWER PART
2	16	936403000	M3 INSERT BUSH
3	16	901003020	M3 X 20 FALT CR HD SCREW
4	1	3B1800200000	LOOM SET
5	1	3B1200200000	24V 1.8A CHARGER
6	1	3B1800400000	DC LOOM SET
7	1	3B2600200000	RESET SWITCH COVER
8	1	3B1800300000	AC LOOM SET
9	1	3B2500500000	CHARGER SOCKET DUST COVER
10	1	3B2600100000	BATTERY PACK - UPPER PART
11	1	3B2300100000	BASKET

FIG I: STANDARD SEAT ASSEMBLY

1	4	900506020	M6 X 20 FLAT SCREW
2	4	921405160	5/16" PLAIN WASHER
3	1	3B0700700000	CUSHION SET
4	1	3B0700800000	SEAT POST KNOB
5	2	900506020	M6 X 20 FLAT SCREW
6	1	3B0100200000	CLIP TYPE PIN
7	1	3B0700200000	LOWER SEAT POST
8	1	3B0700500000	UPPER SEAT POST
9	1	3B0700900000	RHS ARM REST ASSEMBLY
10	1	3B0700100000	SEAT PLATE AND BACKREST PLATE
11	1	3B0700600000	LHS ARM REST ASSEMBLY