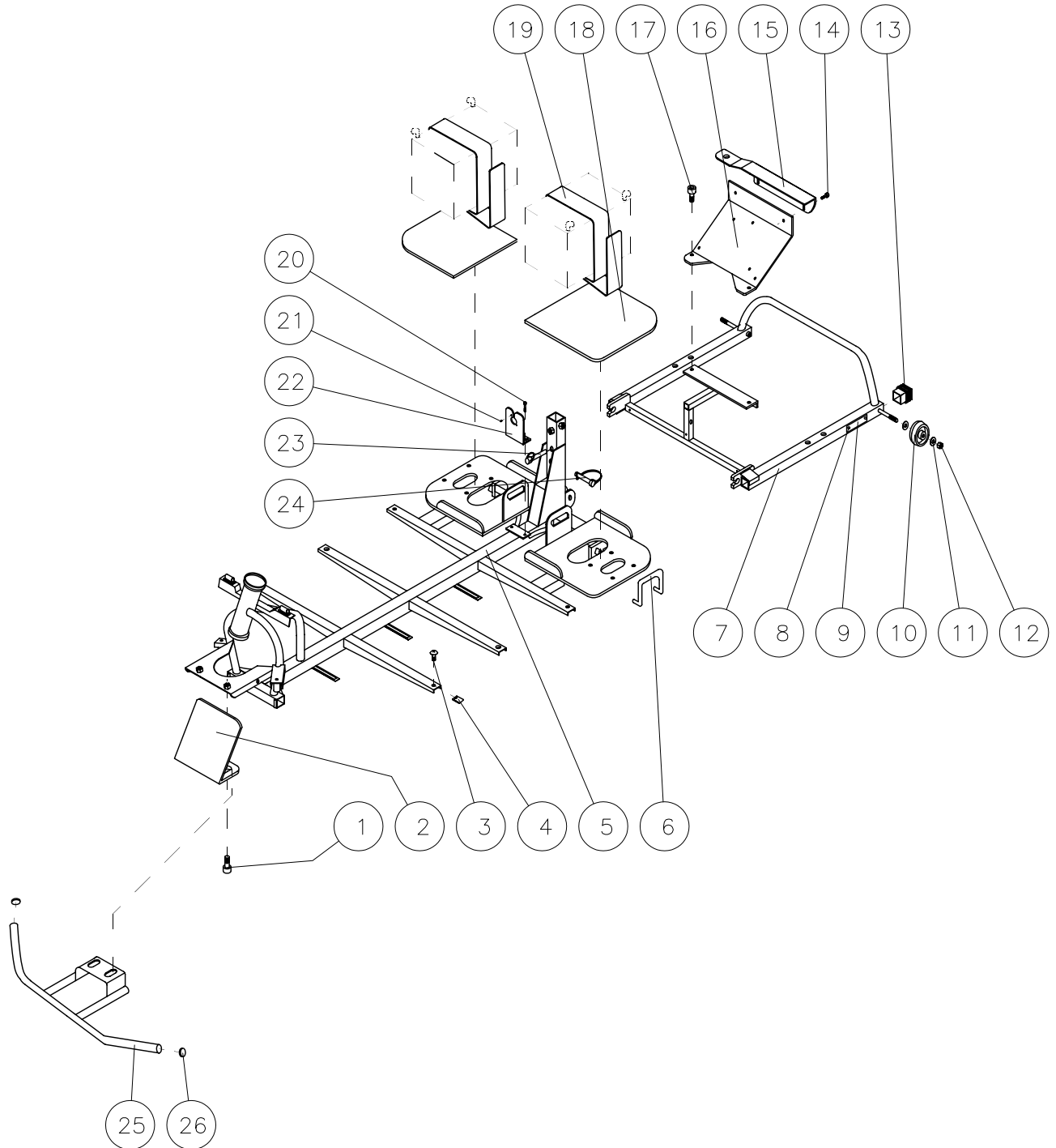


FIGURE A: FRAME



FOR PART CODES
SEE SEPERATE
LISTING



TITLE:
MONTE CARLO
4-WHEEL SCOOTER
PARTS MANUAL

DATE: 19/08/03

SHEET No: 1

DRAWN: PMK

CHECKED:

REVISION No: —

SCALE: NTS

DWG No: Z40967

Medicare Technology Ltd,
Dale House, Armytage Road,
Brighouse, West Yorkshire HD6 1PT
T: +44 1484 727301 F: +44 1484 727370
E: enquiries@medicaretechnology.com

MONTE CARLO 4

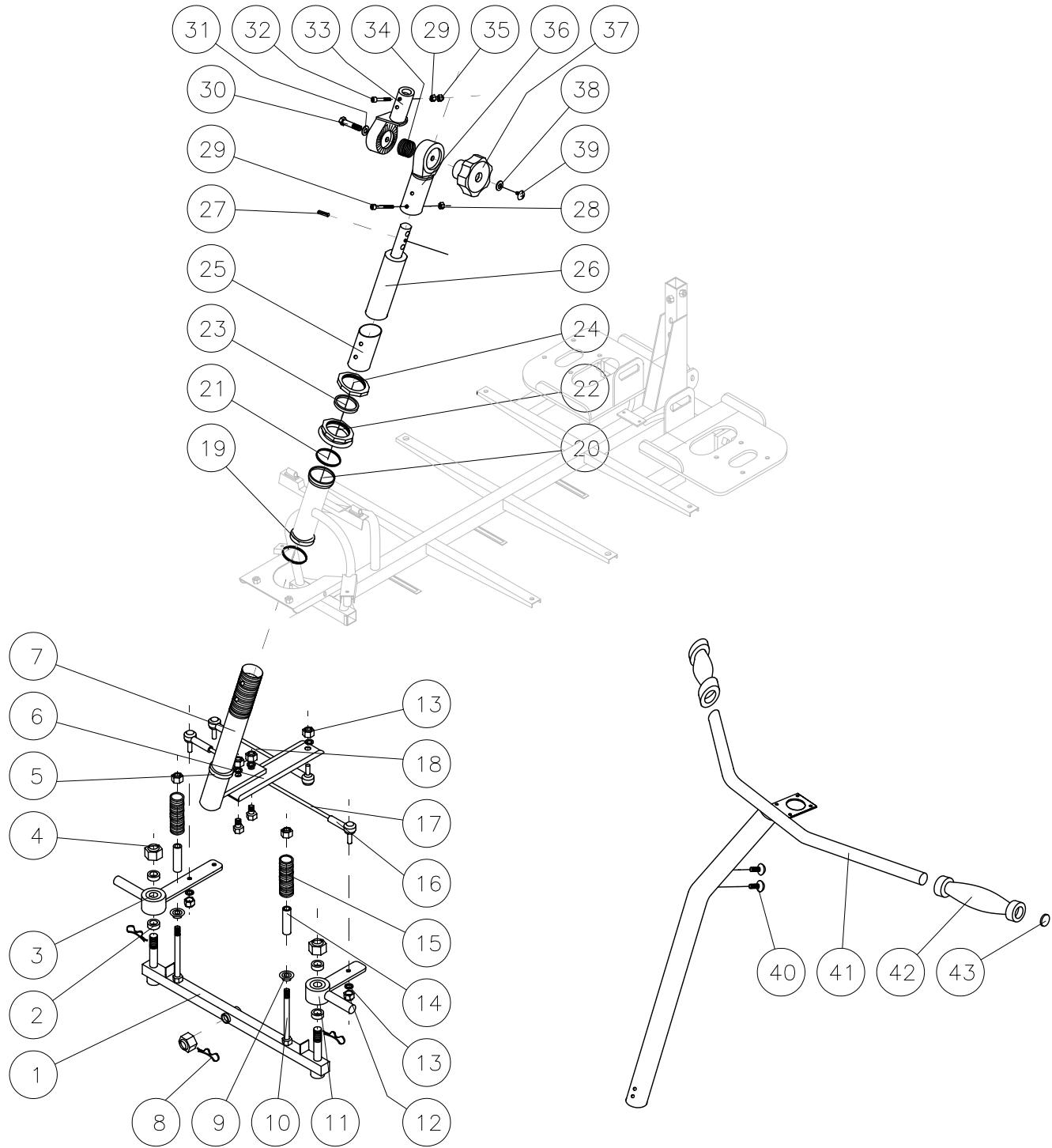
SPARE PARTS LISTING

FIG	QTY	DESCRIPTION
-----	-----	-------------

FIGURE A: FRAME

1	4	902108015	M6 X 15 HEX FLANGE BOLT
2	1	M40101300000	FRONT SHROUD SUPPORT
3	4	900506015	M6 X 15 CR ROUND HD SCREW
4	4	923706000	M6 U-TYPE SPRING NUT
5	1	M40101100000	FRAME, FRONT SECTION
6	2	M40101200000	CLIP FOR BATTERY STRAP
7	1	M40101100000	FRAME, REAR SECTION
8	2	M43600100000	VIN PLATE PIN
9	1	M42700300000	VIN PLATE
10	2	T32800100000	ANTI-TIP WHEEL
11	4	921405160	M8 WASHER
12	2	920108000	M8 NYLOC NUT
13	2	CM2600200000	RECTANGULAR TUBE PLUG
14	4	902106012	M6 X 12 HEX FLANGE BOLT
15	1	M40101400000	COVER STAND
16	1	M40100800000	CONTROLLER BRACKET
17	4	902108015	M8 X 15 HEX FLANGE BOLT
18	2	M42500500000	RUBBER BATTERY PAD
19	2	L43100100000	BATTERY STRAP
20	4	902106012	M6 X 12 HEX FLANGE BOLT
21	2	901003010	M3 X 10 BOLT
22	1	M40101500000	CHARGER SOCKET BRACKET
23	1	M40100900000	FRAME PIN
24	1	L40100700000	M8 X 41 LINK PIN
25	1	M40101700000	FRONT BUMPER
26	2	M42210106000	HAND GRIP PLUG

FIGURE B: TILLER



FOR PART CODES
SEE SEPERATE
LISTING



TITLE:
MONTE CARLO
4-WHEEL SCOOTER
PARTS MANUAL

DATE: 19/08/03

SHEET No: 2

DRAWN: PMK

CHECKED:

REVISION No: —

SCALE: NTS

DWG No: Z40967

Medicare Technology Ltd,
Dale House, Armytage Road,
Brighouse, West Yorkshire HD6 1PT
T: +44 1484 727301 F: +44 1484 727370
E: enquiries@medicaretechnology.com

MONTE CARLO 4

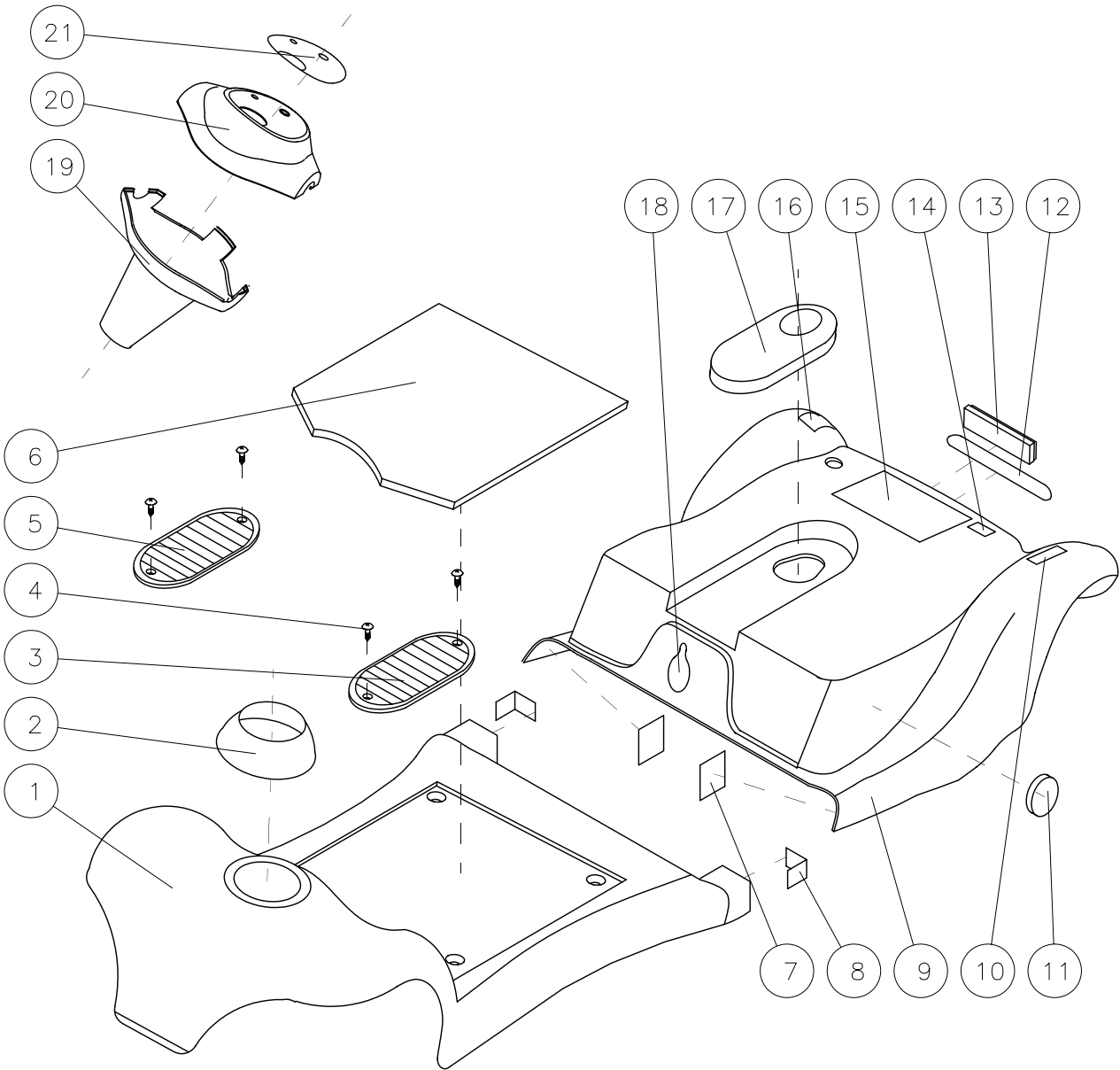
SPARE PARTS LISTING

FIG	QTY	DESCRIPTION
-----	-----	-------------

FIGURE B: TILLER

1	1	M40300400000	FRONT BEAM
2	4	M40310809200	20 X 12 SPACER
3	1	M40300200000	RHS STEERING ARM WITH 6001ZZ BEARING
4	3	920112175	M12 NYLOC NUT
5	1	M42910306000	BEARING CAGE
6	1	M40310609200	STEERING ARM
7	1	M40310706000	L TYPE STEERING AXLE
8	3	936316000	R TYPE PIN
9	2	921408026	M4 SPRING WASHER
10	2	900208090	M8 X 90 FLANGE BOLT
11	1	M40300100000	LHS STEERING ARM WITH 6001ZZ BEARING
12	8	920108000	M8 NYLOC NUT
13	6	921105016	5/16 SPRING WASHER
14	2	M40300300000	9x32 SPACER
15	2	M40740006000	SUSPENSION SPRING
16	3	920110000	RBL8 JOINT
17	1	M40310509200	220mm CONNECTION ROD
18	1	M40310409200	86.5mm CONNECTION ROD
19	1	M42900100000	LOWER BALL BEARING HOLDER
20	1	M42900106000	UPPER BALL BEARING HOLDER
21	2	M42910209100	BEARING
22	1	M42910406000	BEARING BUSH
23	1	921429000	COLLARLESS WASHER
24	1	M42910506000	BEARING LOCKING NUT
25	1	3D0300200000	FRONT BEAM TUBE END BUSHING
26	1	3D0200800000	TILLER TUBE END BUSHING
27	1	966251101	5x22 SPRING PIN
28	4	920106000	M6 NUT
29	2	90210604003	M6 X 40 BOLT
30	1	900110050	M10 X 28 TILLER BOLT
31	1	921110000	M10 SPRING WASHER
32	2	90210604503	M6 X 45 BOLT
33	1	3D0200500000	TILLER UPPER SERATED BRACKET
34	1	3D0200700000	TILLER SPRING
35	2	920506000	M6 LOCK NUT
36	1	3D0200600000	TILLER LOWER SERATED BRACKET
37	1	3B0200900000	TILLER ADJUSTMENT KNOB
38	1	921105000	M5 SPRING WASHER
39	1	900505012	M5 X 12 CR ROUND HD SCREW
40	2	900506010	M6 X 10 CR ROUND HD SCREW
41	1	3D0200400000	T TYPE TILLER TUBING
42	2	M2010106000	FOAM HAND GRIP
43	2	M4221010600	PLASTIC HAND GRIP PLUG

FIGURE C: SHROUDS



FOR PART CODES
SEE SEPERATE
LISTING



TITLE:
MONTE CARLO
4-WHEEL SCOOTER
PARTS MANUAL

DATE: 19/08/03
DRAWN: PMK
SCALE: NTS

SHEET No: 3
REVISION No: —
DWG No: Z40967

MONTE CARLO 4

SPARE PARTS LISTING

FIG	QTY	DESCRIPTION
-----	-----	-------------

FIGURE C: SHROUDS

		M40802101100	FRONT SHROUD (METALLIC RED)
1	1	M40802107100	FRONT SHROUD (SILVER)
		M40802104100	FRONT SHROUD (METALLIC GREEN)
		M40802105100	FRONT SHROUD (METALLIC BLUE)
2	1	M42590106000	TILLER RUBBER COVER
3	1	M42600200000	LHS RUBBER FOOTREST PAD
4	4	901304012	M4 X 12 SELF TAPPING SCREW
5	1	M42600100000	RHS RUBBER FOOTREST PAD
6	1	M42110108000	FOOTWELL CARPET
7	2	M43100100000	45mm VELCRO HOOK
8	2	M43100200000	45mm VELCRO LOOP
		M40802201100	REAR SHROUD (METALLIC RED)
9	1	M40802207100	REAR SHROUD (SILVER)
		M40802204100	REAR SHROUD (METALLIC GREEN)
		M40802205100	REAR SHROUD (METALLIC BLUE)
10	1	M42701900000	"NEVER LIFT UP...." LABEL
11	2	M42410108000	SIDE REFLECTOR
12	1		MONTE CARLO LABEL
13	1	M42410201000	REAR REFLECTOR
14	1	M42700700000	CE LABEL
15	1	M42710707300	EMC LABEL
16	1	M42700800001	FREEWHEEL LABEL
17	1	M42590106001	REAR SHROUD RUBBER COVER
18	1	CM25001000000	CHARGING SOCKET RUBBER COVER
19	1	3D0800306200	TILLER POD LOWER COVER (MATT BLACK)
		3D0800401100	TILLER POD UPPER COVER (METALLIC RED)
20	1	3D0800407100	TILLER POD UPPER COVER (SILVER)
		3D0800404100	TILLER POD UPPER COVER (METALLIC GREEN)
		3D0800405100	TILLER POD UPPER COVER (METALLIC BLUE)
21	1	3D27001000000	WHEELTECH DASHBOARD LABEL

FIGURE D: FRONT WHEEL

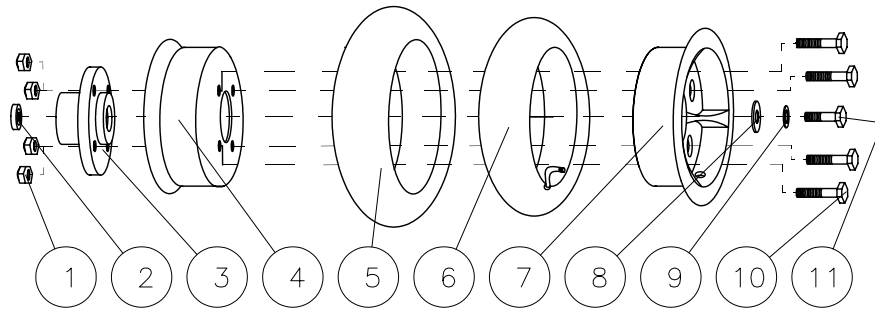


FIGURE E: REAR WHEEL

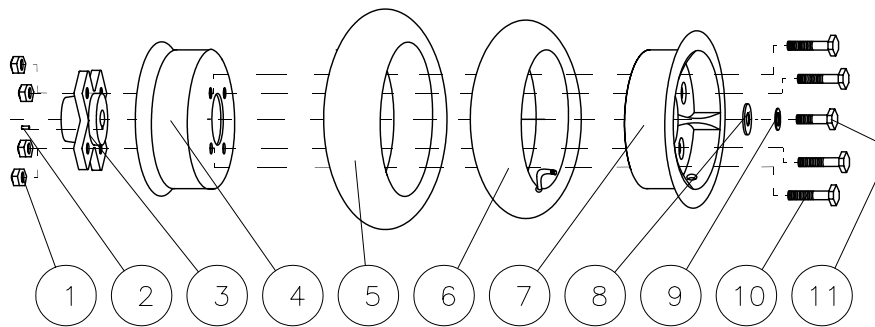
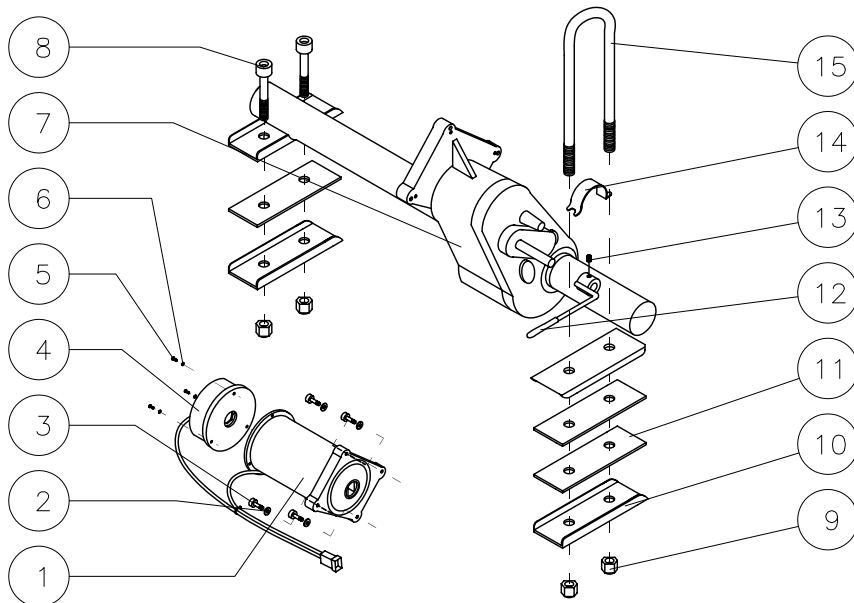


FIGURE F: MOTOR



FOR PART
CODES, SEE
SEPERATE
LISTING



TITLE:

MONTE CARLO
4-WHEEL SCOOTER
PARTS MANUAL

DATE:

19/08/03

SHEET No:

4

DRAWN:

PMK

CHECKED:

REVISION No:

—

SCALE:

NTS

DWG No:

Z40967

FIG	QTY	DESCRIPTION	
-----	-----	-------------	--

FIGURE D: FRONT WHEEL

1	4	920108000	M8 NYLOC NUT
2	1	965306202	6202ZZ BEARING
3	1	M40510500000	FRONT WHEEL AXLE COLLAR
4	1	M40520406000	INNER WHEEL RIM
5	1	T30600100000	2.80/2.50-4 GREY TYRE
6	1	M30510206000	2.80/2.50-4 PNEUMATIC INNER TUBE
7	1	M40510308000	OUTER WHEEL RIM
8	1	921405160	5/16 WASHER
9	1	921105016	5/16 SPRING WASHER
10	4	900208025	M8 X 25 BOLT
11	1	900208020	M8 X 20 BOLT

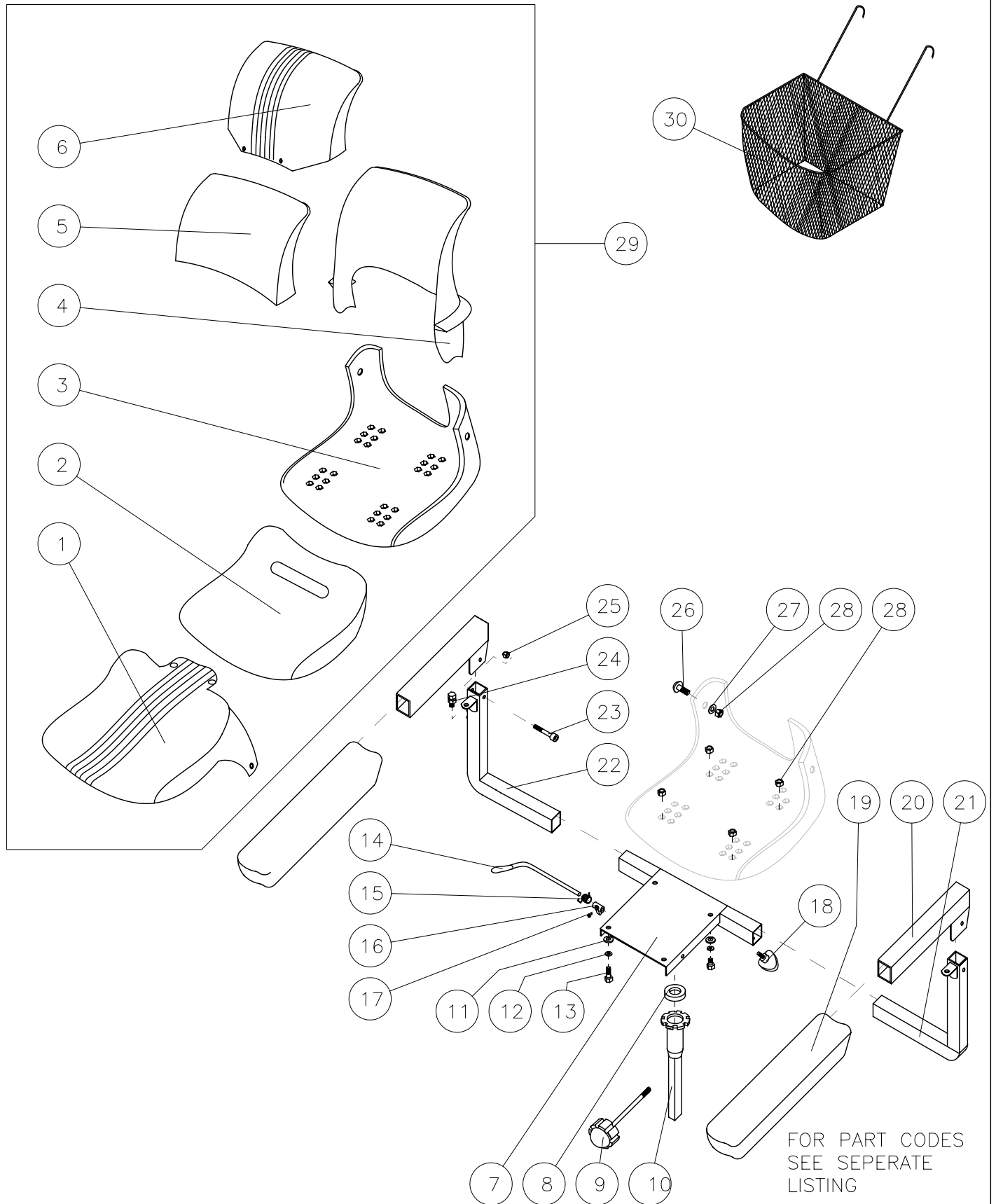
FIGURE E: REAR WHEEL

1	4	920108000	M8 NYLOC NUT
2	1	935705020	20x5x5 KEY WAY
3	1	M40610200000	REAR WHEEL AXLE COLLAR
4	1	M40520406000	INNER WHEEL RIM
5	1	T30600100000	2.80/2.50-4 GREY TYRE
6	1	M30510206000	2.80/2.50-4 PNEUMATIC INNER TUBE
7	1	M40510308000	OUTER WHEEL RIM
8	1	921405160	5/16 WASHER
9	1	921105016	5/16 SPRING WASHER
10	4	900208025	M8 X 25 BOLT
11	1	900208020	M8 X 20 BOLT

FIGURE F: MOTOR

1	1	3B0900100000	7NM 4700RPM MOTOR
2	4	921105016	5/16 SPRING WASHER
3	4	902108020	M8 X 20 BOLT
4	1	M40910307700	ELECTROMAGNETIC BRAKE UNIT
5	3	921104000	M4 SPRING WASHER
6	3	900404010	M4 X 10 BOLT
7	1	3B0900300000	TRANSAXLE
8	2	902108050	M8 X 50 BOLT
9	4	920108000	M8 NYLOC NUR
10	4	M40910509200	TRANSAXLE FIXING PLATE
11	4	M40590206000	MOTOR / TRANSAXLE RUBBER DAMPER PAD
12	1	T30900700000	FREEWHEEL LEVER
13	1	935808080	LEVER GRUB SCREW
14	1	M40910409200	TRANSAXLE ARCH PLATE
15	1	902408095	M8 X 95 U-BOLT

FIGURE G: SEAT AND BASKET



TITLE:
MONTE CARLO
4-WHEEL SCOOTER
PARTS MANUAL

DATE: 19/08/03

SHEET No: 5

DRAWN: PMK

CHECKED:

REVISION No: —

SCALE: NTS

DWG No: Z40967

Medicare Technology Ltd,
 Dale House, Armytage Road,
 Brighouse, West Yorkshire HD6 1PT
 T: +44 1484 727301 F: +44 1484 727370
 E: enquiries@medicaretechnology.com

MONTE CARLO 4

SPARE PARTS LISTING

FIG	QTY	DESCRIPTION
-----	-----	-------------

FIGURE G: SEAT AND BSKET

1	1	M40702600000	TWEED SEAT COVER
2	1	M40702400000	SEAT CUSHION FOAM
3	1	M40702200000	PLASTIC SEAT BASE
4	1	M40702100000	PLASTIC SEAT BACK
5	1	M40702300000	BACK CUSHION FOAM
6	1	M40702500000	TWEED BACK COVER
7	1	M40702700000	STEEL SEAT HOLDER PLATE
8	1	3B07005000000	SEAT GRIP
9	1	L43000100000	SEAT SECUREMENT KNOB
10	1	M40702800000	SEAT POST
11	4	921405160	5/16 WASHER
12	4	921105016	5/16 SPRING WASHER
13	2	900208040	M8 X 40 BOLT
14	1	3D070100000	SEAT LEVER
15	1	3D07006000000	SEAT LEVER SPRING
16	1	3D07004000000	LEVER LOCKER
17	1	935808080	LOCKER GRUB SCREW
18	2	M43010206000	ARMREST TRI-KNOB
19	2	M40710606000	ARMREST PU PAD
20	2	M40720006000	ARM REST TUBING
21	1	M40710306000	LHS ARM REST
22	1	M40710406000	RHS ARM REST
23	2	902106035	M6 X 35 BOLT
24	4	900208020	M8 X 20 BOLT
25	2	920506000	M6 NYLOC NUT
26	2	903208030	M8 X 30 BOLT
27	4	921408000	M8 WASHER
28	6	920108000	M8 NYLOC NUT
29	1	M40702000000	SEAT ASSEMBLY
30	1	3D2300100000	BASKET

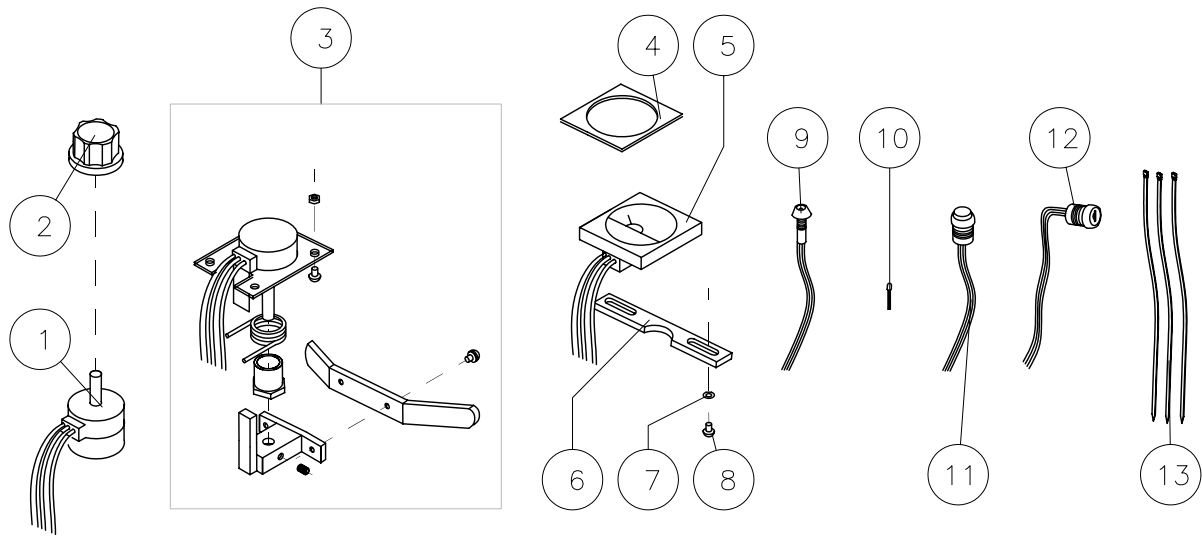


FIGURE G: TILLER POD ELECTRICAL PARTS

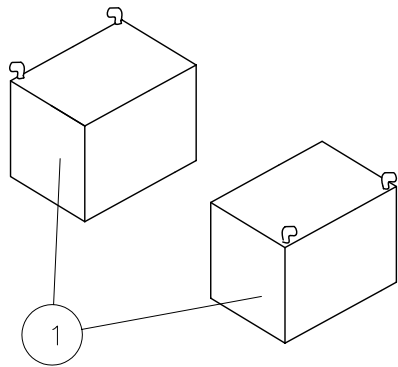


FIG H: BATTERIES

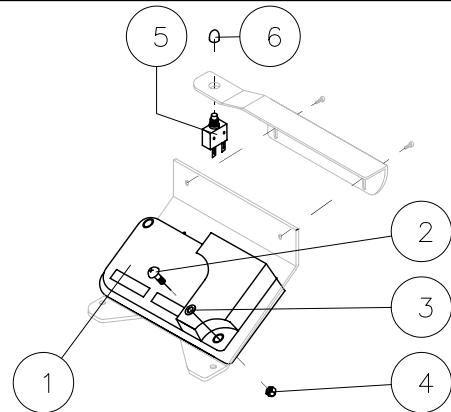


FIG I: CONTROLLER

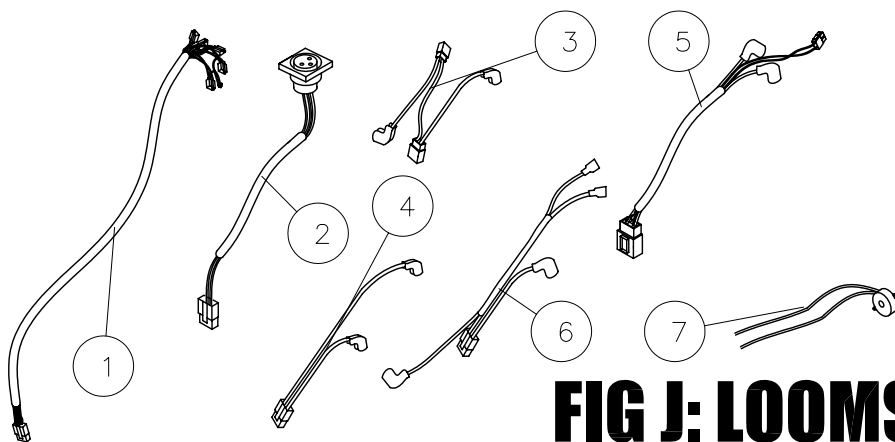


FIG J: LOOMS

FOR PART CODES
SEE SEPERATE
LISTING



TITLE:
MONTE CARLO
4-WHEEL SCOOTER
PARTS MANUAL

DATE: 19/08/03

SHEET No: 6

DRAWN: PMK

CHECKED:

REVISION No: —

SCALE: NTS

DWG No: Z40967

FIG	QTY	DESCRIPTION	
-----	-----	-------------	--

FIGURE G: TILLER POD ELECTRICAL PARTS

1	1	3D2600200000	JK-901C SPEED ADJUSTMENT DIAL
2	1	M41100300000	SPEED ADJUSTMENT POTENTIOMETER
3	1	M41201000000	RIO WIGWAG PADDLE ASSEMBLY
4	1	M42500600000	BATTERY GAUGE GASKET
5	1	M41100200000	BATTERY GAUGE
6	1	M4110600000	BATTERY GAUGE MOUNTING PLATE
7	2	921403000	M3 WASHER
8	2	901103008	M3 X 8 BOLT
9	1	M41201300000	LED LAMP HOUSING
10	1	M41201300020	LED LAMP
11	1	M4160202000	YELLOW HORN BUTTON
12	1	3D1800500000	IGNITION SWITCH ASSEMBLY
13	1	NOT APPLICABLE	180mm VELCRO STRAP

FIGURE H: BATTERIES

1	2	12V34AH	33AH 12V SEALED LEAD ACID BATTERY
---	---	---------	-----------------------------------

FIGURE I: CONTROLLER

1	1	3D1000100000	PG DRIVES S-DRIVE 45A CONTROLLER
3	2	900404030	M4 X 30 BOLT
4	2	921404000	M4 WASHER
5	2	920104000	M4 NYLOC NUT
6	1	3D1600100000	30A CIRCUIT BREAKER
7	1	3D1600400000	CIRCUIT BREAKER COVER

FIGURE J: LOOMS

1	1	M41801100000	MAIN WIRE HARNESS
2	1	M41201200000	CHARGER SOCKET ASSEMBLY
3	1	M41810305000	NEGATIVE (-) BATTERY CABLE
4	1	M41810306000	POSITIVE (+) BATTERY CABLE
5	1	3B1800900000	ELECTROMAGNETIC BRAKE CABLE
6	1	M41810201000	BATTERY-TO-CONTROLLER LOOM
7	1	M4121080600	BUZZER

PARTS NOT SHOWN

1	1	M41210906000	CHARGER
2	1	Z40969-00	MONTE CARLO OWNERS HANDBOOK