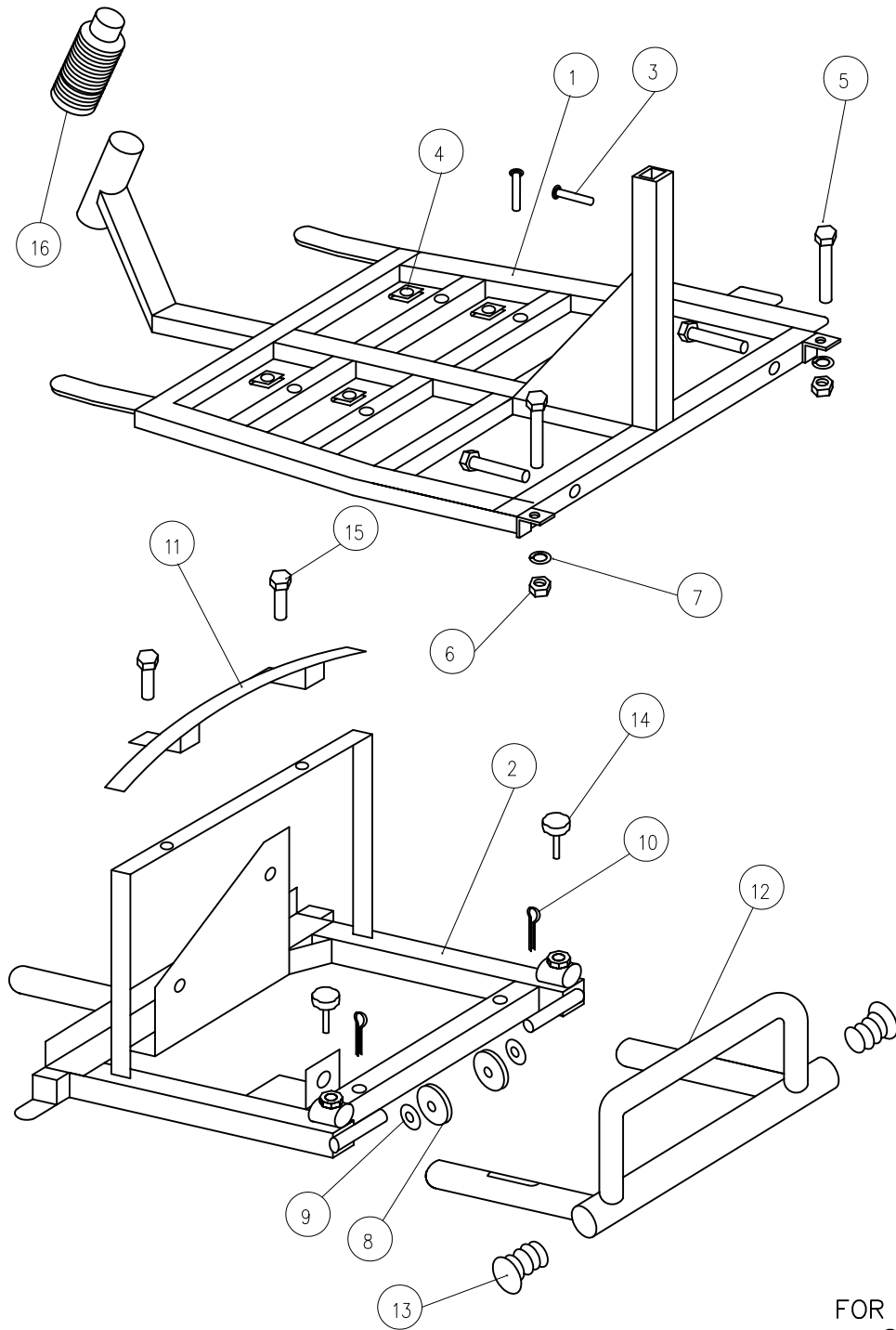


FIG A: FRAME



FOR PART CODES,
SEE SEPERATE
LISTING



TITLE:
PARTS DIAGRAM
M36 (CURTIS VERSION)
MERCURY SCOOTER

DATE: 08/05/02
DRAWN: PMK
SCALE: NTS

SHEET No: 1 of 7
CHECKED:
REVISION No: -
DWG No: M34

Medicare Technology Ltd,
 Ainley's Industrial Estate, Elland, West Yorkshire HX5 9JP.
 T: +44 (0) 1422 314488 F: +44 (0) 1422 314489
 E: enquiries@medicaretechnology.com
 W: www.medicaretechnology.com/technical

MERCURY M36

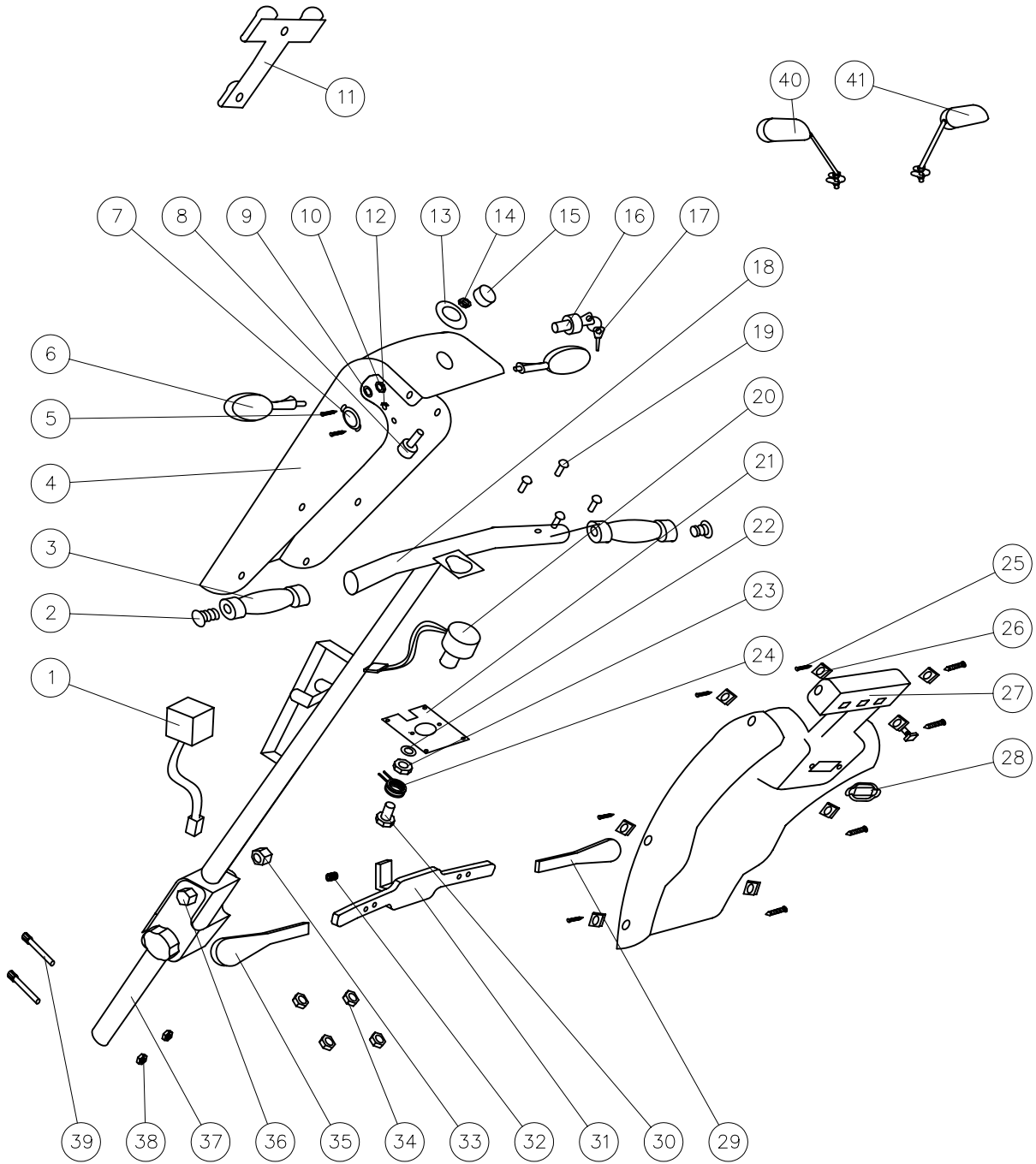
CURTIS CONTROLLER VERSION
 SPARE PARTS LISTING

FIG	QTY	OLD PART No.	PART No.	DESCRIPTION
-----	-----	--------------	----------	-------------

FIGURE A: FRAME

1	1	M30110106000	C01-002-10100	FRAME, FRONT SECTION
2	1	M30110206000	C01-002-10200	FRAME, REAR SECTION
3	1	M40110509100	C01-001-10500	FRAME PIN
4	4	923706000	#N/A	U-TYPE SPRING NUT
5	2	900208050	#N/A	HEX FLANGE BOLT
6	2	920208000	#N/A	NUT WITH WASHER
7	2	921105016	#N/A	SPRING WASHER
8	2	M42810106000	C28-001-10100	ANTI-TIP WHEELS
9	2	921518000	#N/A	WASHER
10	2	935201025	#N/A	R' CLIP
11	1	M30100200000	C01-002-00200	REAR SHROUD SUPPORT BAR
12	1	M30100100000	C01-002-00100	REAR BUMPER
13	2	M42210106000	C22-001-10100	REAR BUMPER PLUG
14	2	M43000100000	C30-001-00100	BUMPER THREADED LOCKING HANDLE
15	2	900208020	#N/A	HEX FLANGE BOLT
16	1	M32500100000	C25-002-00100	RUBBER TILLER COVER

FIG B: TILLER ASSEMBLY



FOR PART CODES,
SEE SEPERATE
LISTING



TITLE:
PARTS DIAGRAM
M36 (CURTIS VERSION)
MERCURY SCOOTER

DATE: 08/05/02
DRAWN: PMK
SCALE: NTS

SHEET No: 2 of 7
CHECKED:
REVISION No: -
DWG No: M34

Medicare Technology Ltd,
 Ainley's Industrial Estate, Elland, West Yorkshire HX5 9JP.
 T: +44 (0) 1422 314488 F: +44 (0) 1422 314489
 E: enquiries@medicaretechnology.com
 W: www.medicaretechnology.com/technical

MERCURY M36

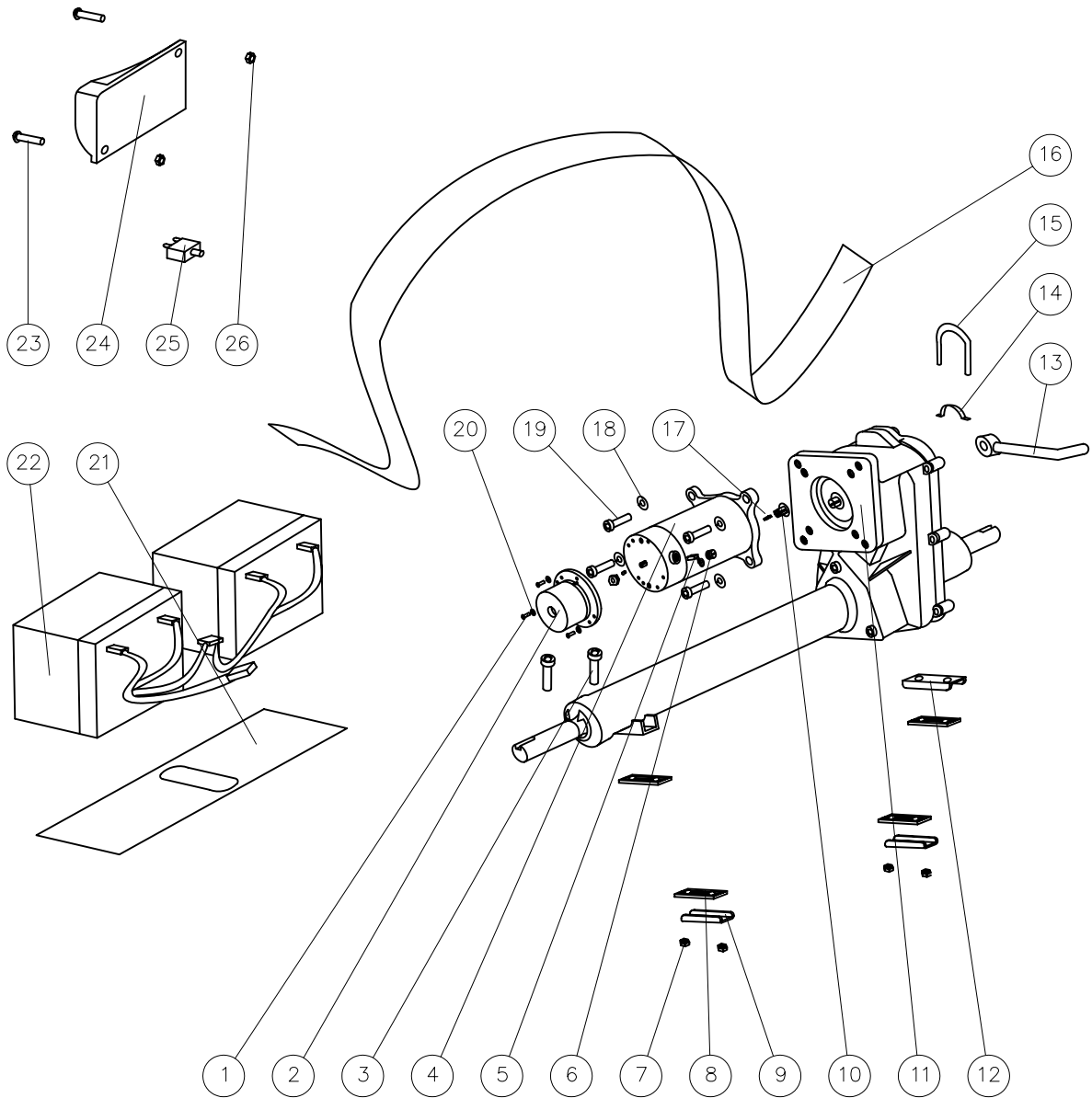
CURTIS CONTROLLER VERSION
 SPARE PARTS LISTING

FIG	QTY	OLD PART No.	PART No.	DESCRIPTION
-----	-----	--------------	----------	-------------

FIGURE B: TILLER ASSEMBLY

1	1	M41210706000	C12-001-10700	FLASHER RELAY
2	2	M42210106000	C22-001-10100	HAND GRIP PLUG
3	2	M42010106000	C20-001-10100	FOAM HAND GRIP
4	1	M30810301100	#N/A	TILLER FRONT COVER (RED)
		M30800305100	C08-002-00351	TILLER FRONT COVER (BLUE)
5	2	901003000	#N/A	SCREWS FOR BATTERY GAUGE
6	2	M41510108000	C15-001-10100	FRONT INDICATOR LAMP
7	1	M41210216000	C12-001-10200	CHARGER SOCKET ASSEMBLY
8	1	M41210509100	C12-001-10500	SPEED DIAL POT
9	2	921410000	#N/A	PLAIN WASHER
10	2	920210000	#N/A	NUT WITH WASHER
11	1	M42310206001	C23-001-10200	TILLER BASKET BRACKET
12	2	920103000	#N/A	NYLOC NUT
13	1	M4LEE306	#N/A	SPEED DIAL LABEL
14	1	* ASK MEDICARE	#N/A	
15	1	M40620506000	C06-001-20500	SPEED DIAL
16	1	M41810807000	C18-001-10800	IGNITION AND KEY ASSEMBLY
17	1	* ASK MEDICARE *	#N/A	KEY ONLY
18	1	M30210106000	#N/A	HANDLE BAR
19	4	900503010	#N/A	CR ROUND HD SCREW
20	1	M41210406000	C12-001-10400	THROTTLE POT
21	1	M41200400000	C12-001-00400	THROTTLE POT BASE PLATE
22	1	* ASK MEDICARE	#N/A	WASHER
23	1	* ASK MEDICARE	#N/A	NUT
24	1	M41200300000	C12-001-00300	THROTTLE POT TORSION SPRING
25	8	901304020	#N/A	SELF TAPPING SCREW
26	8	923704000	#N/A	U-TYPE SPRING NUT
27	1	M30810401100	#N/A	TILLER REAR COVER (RED)
		M30800405100	#N/A	TILLER REAR COVER (BLUE)
28	1	M41110106000	C11-001-10100	BATTERY GAUGE
29	1	L41200400000	C12-005-00400	RHS THROTTLE LEVER COVER
30	1	920308013	#N/A	NYLOC NUT
31	1	M41200200000	C12-001-00200	THROTTLE LEVER
32	1	935804040	#N/A	LOCKING SCREW
33	1	920110000	#N/A	NYLOC NUT
34	4	920103000	#N/A	NYLOC NUT
35	1	L41200300000	C12-005-00300	LHS THROTTLE LEVER COVER
36	1	900210060	#N/A	HANDLE BAR ADJUSTMENT BOLT
37	1	M40210209100	C02-001-10200	HANDLE BAR ADJUSTER
38	2	920106000	#N/A	NYLOC NUT
39	2	902108020	#N/A	HEX BOLT
40	1	M43700200000	C37-001-00200	RHS REAR VIEW MIRROR ASSEMBLY
41	1	M43700300000	C37-001-00300	LHS REAR VIEW MIRROR ASSEMBLY

FIG C: MOTOR AND CONTROLLER ASSEMBLY



FOR PART CODES,
SEE SEPERATE
LISTING



TITLE:
PARTS DIAGRAM
M36 (CURTIS VERSION)
MERCURY SCOOTER

DATE: 08/05/02
DRAWN: PMK
SCALE: NTS

SHEET No: 3 of 7
REVISION No: -
DWG No: M34

Medicare Technology Ltd,
 Ainley's Industrial Estate, Elland, West Yorkshire HX5 9JP.
 T: +44 (0) 1422 314488 F: +44 (0) 1422 314489
 E: enquiries@medicaretechnology.com
 W: www.medicaretechnology.com/technical

MERCURY M36

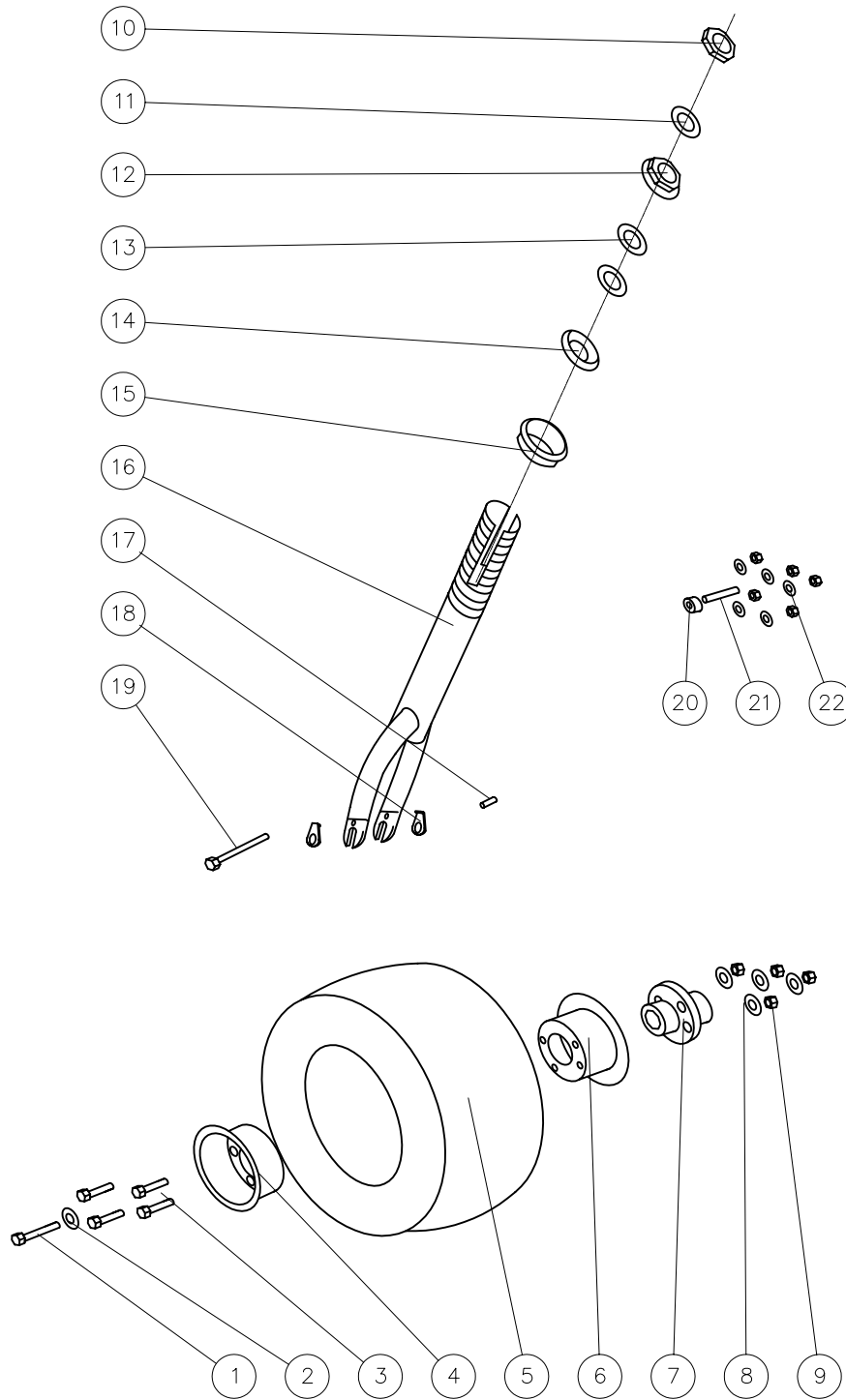
CURTIS CONTROLLER VERSION
 SPARE PARTS LISTING

FIG	QTY	OLD PART No.	PART No.	DESCRIPTION
-----	-----	--------------	----------	-------------

FIGURE C: MOTOR AND CONTROLLER ASSEMBLY

1	3	900504010	#N/A	CR ROUND HD SCREW
2	1	M40910307700	C09-001-10300	ELECTRO-MAGNETIC BRAKE
3	2	902108050	#N/A	CAP HEAD BOLT
4	1	M40910107700	C09-001-10100	MOTOR
5	2	M30900100020	C09-002-00100	CARBON BRUSH
6	2	M30900200020	C09-002-00200	CARBON BRUSH BOLT
7	1	920108000	#N/A	NYLOC NUT
8	1	M40590206000	C05-001-90200	RUBBER DAMPER PAD, MOTOR
9	2	M40910509200	C09-001-10500	U-TYPE PLATE, MOTOR
10	1	* CODE AND DESC	#N/A	
11	1	M40910207700	C09-001-10200	TRANSAXLE
12	1	M40910509200	C09-001-10500	U-TYPE PLATE, MOTOR
13	1	M40910309201	C09-001-10600	FREE-WHEEL LEVER
14	2	M40910409200	C09-001-10400	ARCH-TYPE PLATE, MOTOR
15	2	902408095	#N/A	U-TYPE BOLE, MOTOR
16	1	M40790106000	C07-001-90100	VELCRO BATTERY STRAP
17	1	* ASK MEDICARE	#N/A	
18	4	921105016	#N/A	SPRING WASHER
19	4	902108020	#N/A	CAP HEAD BOLT
20	3	921104000	#N/A	M4 SPRING WASHER
21	1	M42510106000	C25-001-10100	RUBBER BATTERY MAT
22	2	12V34AH	#N/A	12V 34AH SEALED BATTERY
23	2	900505020	#N/A	CR ROUND HD SCREW
24	1	M41010104200	C10-001-10100	CURTIS 70A CONTROLLER
25	1	M41610606000	C16-001-10600	50A CIRCUIT BREAKER
26	2	920105000	#N/A	NYLOC NUT

FIG D: FRONT WHEEL AND FORK ASSEMBLY



FOR PART CODES,
SEE SEPERATE
LISTING



TITLE:
PARTS DIAGRAM
M36 (CURTIS VERSION)
MERCURY SCOOTER

DATE: 08/05/02
DRAWN: PMK
SCALE: NTS

SHEET No: 4 of 7
REVISION No: -
DWG No: M34

Medicare Technology Ltd,
 Ainley's Industrial Estate, Elland, West Yorkshire HX5 9JP.
 T: +44 (0) 1422 314488 F: +44 (0) 1422 314489
 E: enquiries@medicaretechnology.com
 W: www.medicaretechnology.com/technical

MERCURY M36

CURTIS CONTROLLER VERSION
 SPARE PARTS LISTING

FIG	QTY	OLD PART No.	PART No.	DESCRIPTION
-----	-----	--------------	----------	-------------

FIGURE D: FRONT WHEEL AND FORK ASSEMBLY

1	1	900208025	#N/A	HEXAGON FLANGE BOLT
2	1	921408000	#N/A	PLAIN WASHER
3	4	900208020	#N/A	HEXAGON FLANGE BOLT
4	1	M40510308000	C05-001-10300	OUTER WHEEL RIM
5	1	M30510105000	#N/A	FRONT TYRE, GREY RIB
6	1	M40510406000	C05-001-10400	INNER WHEEL RIM
7	1	M40510500000	C05-001-10500	AXLE COLLAR, FRONT WHEEL
8	4	921105016	#N/A	SPRING WASHER
9	4	920108000	#N/A	NUT
10	1	M42910506000	C29-001-10500	BEARING LOCKING NUT
11	1	921429000	#N/A	COLLARLESS WASHER
12	1	M42910406000	C29-001-10400	BEARING BUSH
13	2	M42910209100	C29-001-10200	BEARING
14	1	M42910306000	C29-001-10300	BEARING CAGE
15	1	M42910106000	C29-001-10100	BEARING BALL HOLDER, UP
16	1	M30310106000	C03-002-10100	FRONT FORK
17	1	M30210309200	C02-002-10300	SHORT SPACER TUBE
18	2	* ASK MEDICARE	#N/A	LOCKING TAB
19	1	900110135	#N/A	FRONT WHEEL AXLE
20	2	965306300	#N/A	6300ZZ BEARING
21	1	M30210209200	C02-002-10200	LONG SPACER TUBE
22	1	920112000	#N/A	NUT
N/A	1	M30510206000	C05-002-10200	INNER TUBE (FRONT)

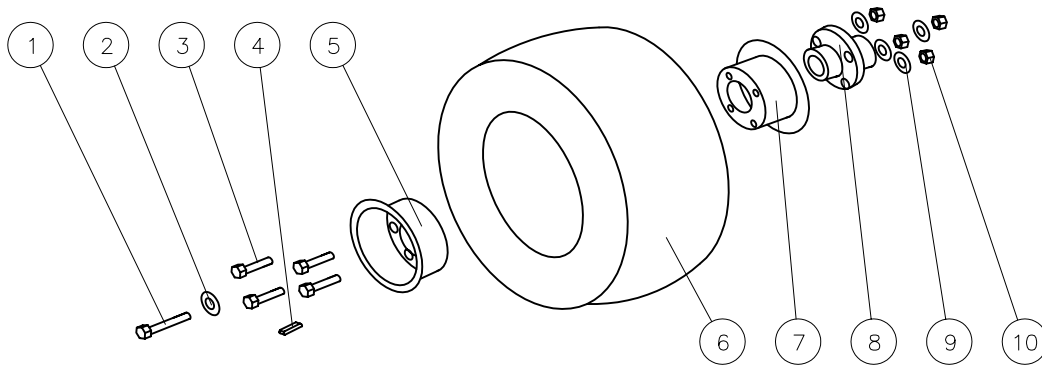
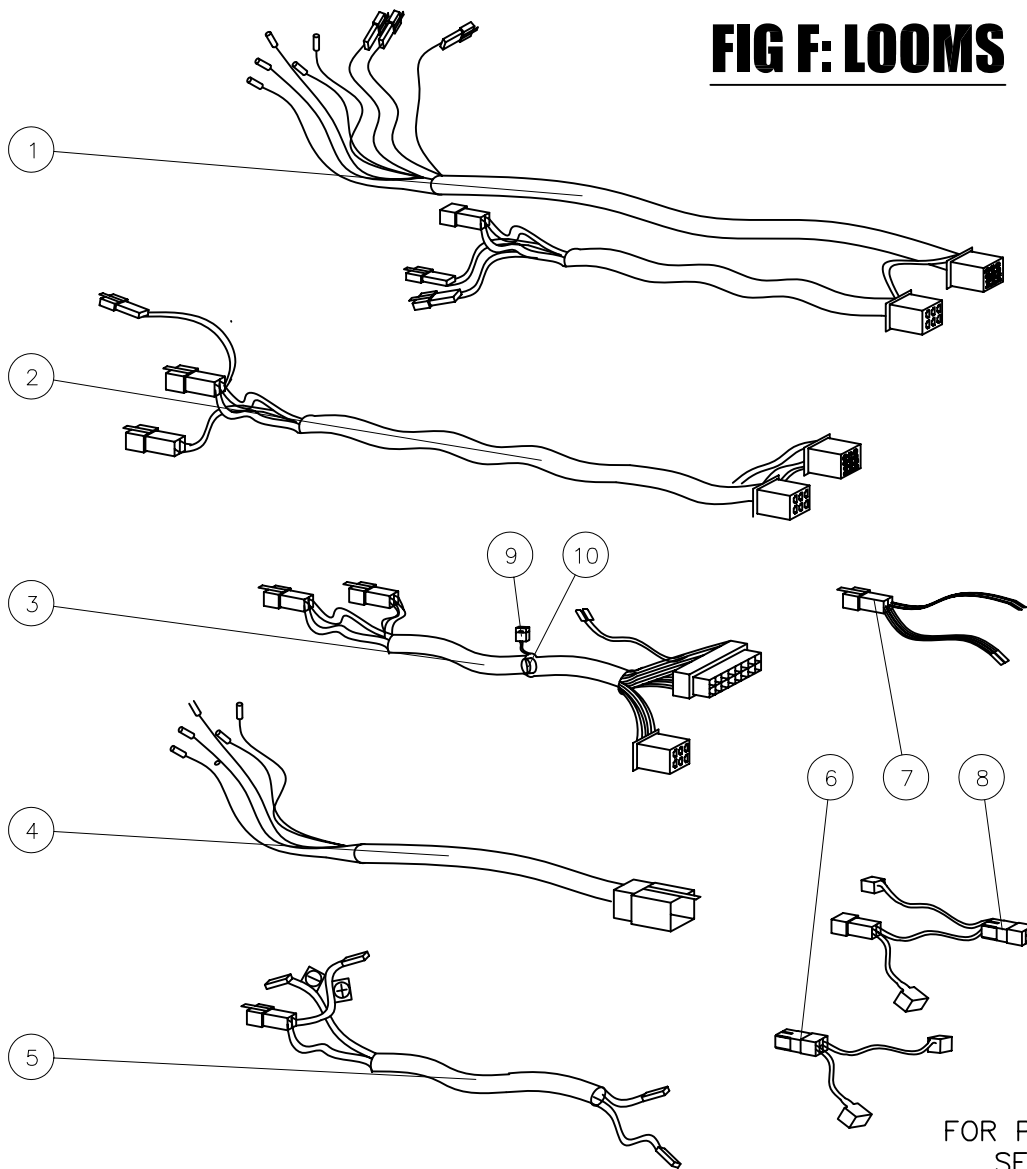


FIG E: REAR WHEEL ASSEMBLY

FOR PART CODES,
SEE SEPERATE
LISTING

FIG F: LOOMS



FOR PART CODES,
SEE SEPERATE
LISTING



TITLE:
PARTS DIAGRAM
M36 (CURTIS VERSION)
MERCURY SCOOTER

DATE: 08/05/02

SHEET No: 5 of 7

DRAWN: PMK

CHECKED:

REVISION No: -

SCALE: NTS

DWG No: M34

Medicare Technology Ltd,
 Ainley's Industrial Estate, Elland, West Yorkshire HX5 9JP.
 T: +44 (0) 1422 314488 F: +44 (0) 1422 314489
 E: enquiries@medicaretechnology.com
 W: www.medicaretechnology.com/technical

MERCURY M36

CURTIS CONTROLLER VERSION
 SPARE PARTS LISTING

FIG	QTY	OLD PART No.	PART No.	DESCRIPTION
-----	-----	--------------	----------	-------------

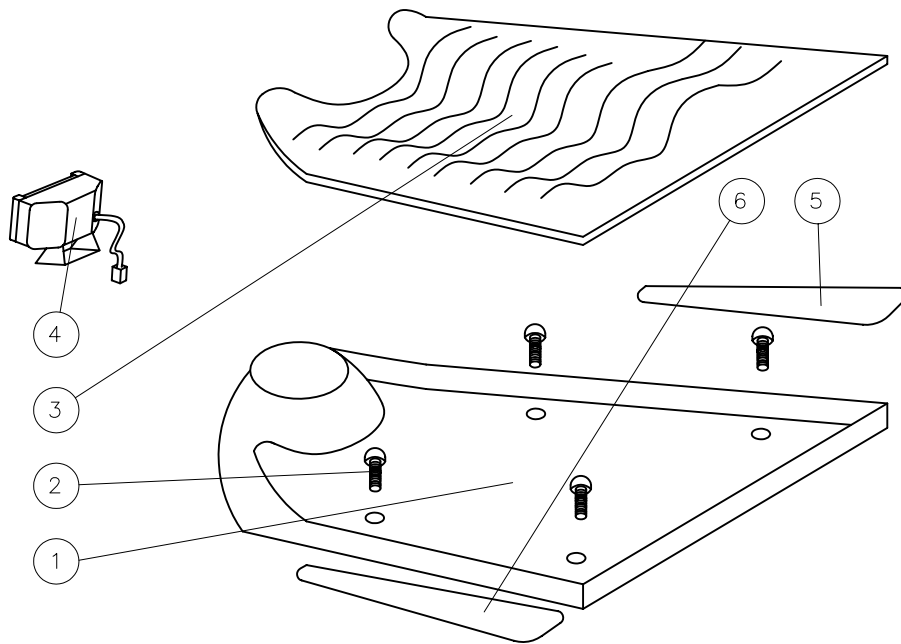
FIGURE E: REAR WHEEL ASSEMBLY

1	1	900208025	#N/A	HEXAGON FLANGE BOLT
2	1	921408000	#N/A	PLAIN WASHER
3	4	900208020	#N/A	HEXAGON FLANGE BOLT
4	1	M40510308000	C05-001-10300	OUTER WHEEL RIM
5	1	M30600300000	C06-002-00300	INNER TUBE (REAR)
6	1	M30510105000	#N/A	FRONT TYRE, GREY RIB
7	1	M40510406000	C05-001-10400	INNER WHEEL RIM
8	1	M40510500000	C05-001-10500	AXLE COLLAR, FRONT WHEEL
9	4	921105016	#N/A	SPRING WASHER
10	4	920108000	#N/A	NUT

FIGURE F: LOOMS

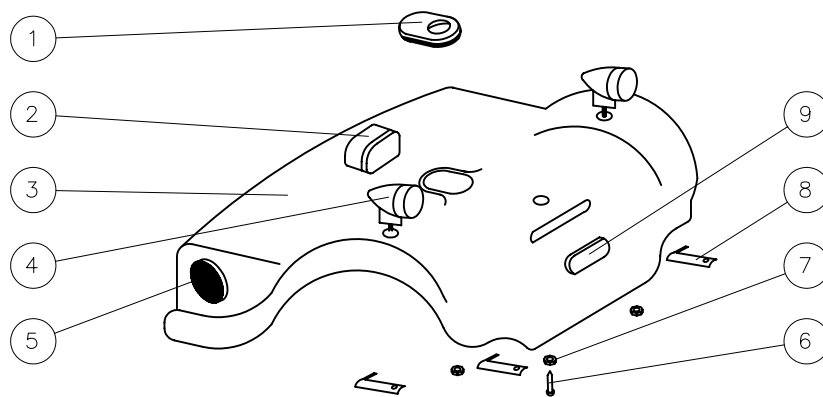
1	1	L41810106000	#N/A	WIRE HARNESS, FRONT SECTION
2	1	M4180010000	#N/A	WIRE HARNESS, MID FRAME
3	1	L41810206000	#N/A	WIRE HARNESS, REAR SECTION
4	1	M4180010000	#N/A	CABLE UNIT, REAR SHROUD
5	1	M41810507000	C18-001-10500	MOTOR POWER CABLE
6	1	M41810305000	C18-001-10300	BATTERY CABLE (+)
7	1	M4181020100	#N/A	CONTROLLER WIRE, TO CUT OUT
8	1	M41810306000	C18-001-10400	BATTERY CABLE (-)
9	1	M41200100000	C12-001-00100	10A BLADE FUSE
10	1	M41210806000	C12-001-10800	BUZZER

FIG G: FRONT SHROUD ASSEMBLY



FOR PART CODES,
SEE SEPERATE
LISTING

FIG H: REAR SHROUD ASSEMBLY



FOR PART CODES,
SEE SEPERATE
LISTING

Wheeltech

TITLE:

PARTS DIAGRAM
M36 (CURTIS VERSION)
MERCURY SCOOTER

DATE:

08/05/02

SHEET No:

6 of 7

DRAWN:

PMK

CHECKED:

REVISION No:

—

SCALE:

NTS

DWG No:

M34

Medicare Technology Ltd,
 Ainley's Industrial Estate, Elland, West Yorkshire HX5 9JP.
 T: +44 (0) 1422 314488 F: +44 (0) 1422 314489
 E: enquiries@medicaretechnology.com
 W: www.medicaretechnology.com/technical

MERCURY M36

CURTIS CONTROLLER VERSION
 SPARE PARTS LISTING

FIG	QTY	OLD PART No.	PART No.	DESCRIPTION
-----	-----	--------------	----------	-------------

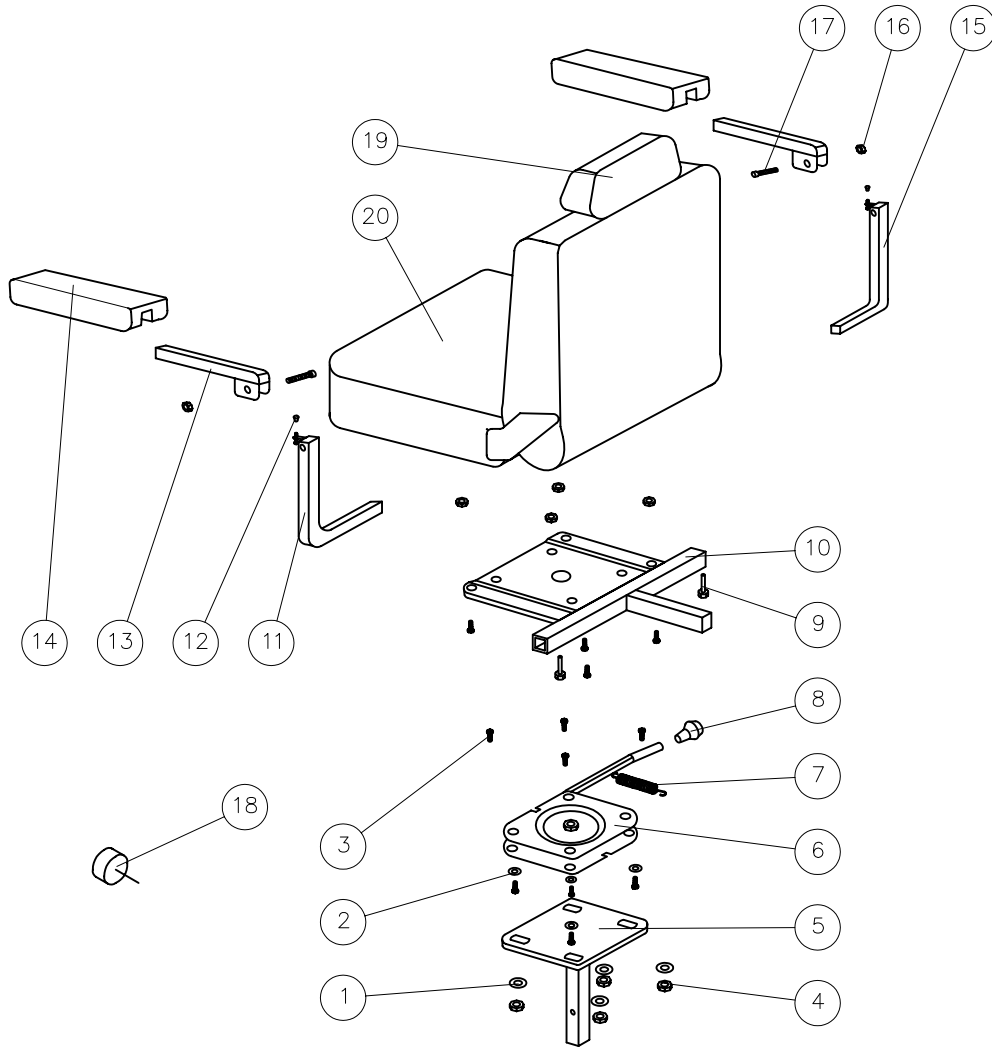
FIGURE G: FRONT SHROUD ASSEMBLY

1	1	M30810101100	#N/A	M36 FRONT SHROUD (RED)
		M30800105100	C08-002-00151	M36 FRONT SHROUD (BLUE)
2	6	900506020	#N/A	CR ROUND HD SCREW
3	1	M32100100000	C21-002-00100	M36 CARPET
4	1	M41310106000	C13-001-10100	M36 HEAD LAMP
5	1	M32500200000	C25-002-00200	RHS M36 FOOTREST PAD
6	1	M32500300000	C25-002-00300	LHS M36 FOOTREST PAD

FIGURE H: REAR SHROUD ASSEMBLY

1	1	M42590106001	C25-001-90200	RUBBER COVER, REAR SHROUD
2	1	M41710108000	C17-001-10100	REAR LAMP
3	1	M40810201100	#N/A	M36 / M44 REAR SHROUD (RED)
		M40800205100	C08-001-00251	M36 / M44 REAR SHROUD (BLUE)
4	2	M41610108000	C16-001-10100	REAR INDICATOR LAMP
5	2	M42410108000	C24-001-10100	SIDE REFLECTOR
6	1	900505015	#N/A	ROUND HD SCREW
7	1	920105000	#N/A	NYLOC NUT
8	3	M40800500000	C08-001-00500	WIRE CLIP
9	1	M42410201000	C24-001-10200	REAR REFLECTOR

FIG I: STANDARD SEAT ASSEMBLY



FOR PART CODES,
SEE SEPERATE
LISTING



TITLE:
PARTS DIAGRAM
M36 (CURTIS VERSION)
MERCURY SCOOTER

DATE: 08/05/02
DRAWN: PMK
SCALE: NTS

SHEET No: 7 of 7
CHECKED:
REVISION No: -
DWG No: M34

Medicare Technology Ltd,
 Ainley's Industrial Estate, Elland, West Yorkshire HX5 9JP.
 T: +44 (0) 1422 314488 F: +44 (0) 1422 314489
 E: enquiries@medicaretechnology.com
 W: www.medicaretechnology.com/technical

MERCURY M36

CURTIS CONTROLLER VERSION

SPARE PARTS LISTING

FIG	QTY	OLD PART No.	PART No.	DESCRIPTION
-----	-----	--------------	----------	-------------

FIGURE I: SEAT ASSEMBLY

1	12	921405160	#N/A	PLAIN WASHER
2	12	921105016	#N/A	SPRING WASHER
3	14	900208025	#N/A	HEXAGON FLANGE BOLT
4	12	920108000	#N/A	NYLOC NUT
5	1	M40710906000	#N/A	SEAT POST
6	1	M40710809200	#N/A	SEAT ROTATOR
7	1	M40730006000	#N/A	SEAT ROTATOR SPRING
8	1	M40700300000	C07-001-00300	ROTATOR BAR KNOB
9	2	M43000100000	C30-001-00100	LOCK BOLT, BUMPER
10	1	M40711006000	#N/A	SEAT HOLDER PLATE
11	1	M40710306000	#N/A	L-TYPE HOLDER, LHS ARM REST
12	2	M43710206000	C37-001-10200	BOLT RUBBER COVER
13	2	M40720006000	#N/A	ARM REST FRAME
14	2	M40710606000	C07-001-10600	ARM REST PU PAD
15	1	M40710406000	#N/A	L-TYPE HOLDER, RHS ARM REST
16	2	920106020	#N/A	ANTI-SLIP NUT
17	2	902116035	#N/A	HEXAGON BOLT
18	1	M43010206000	C30-001-10200	SEAT POST SECUREMENT KNOB
19	1	M40700200000	C07-001-00200	HEAD REST
20	1	L40700100000	C07-005-00100	SEAT UNIT