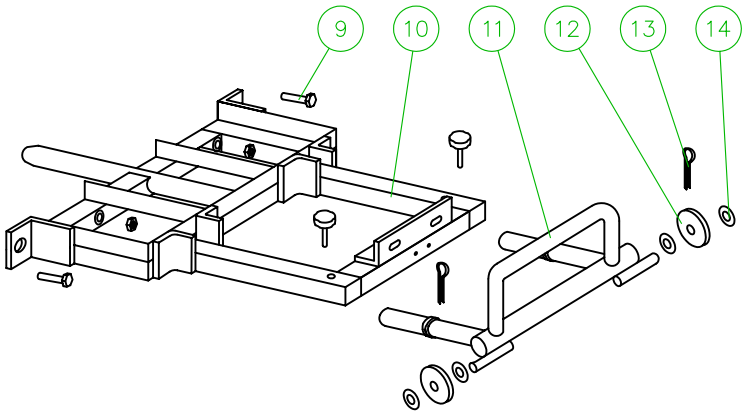
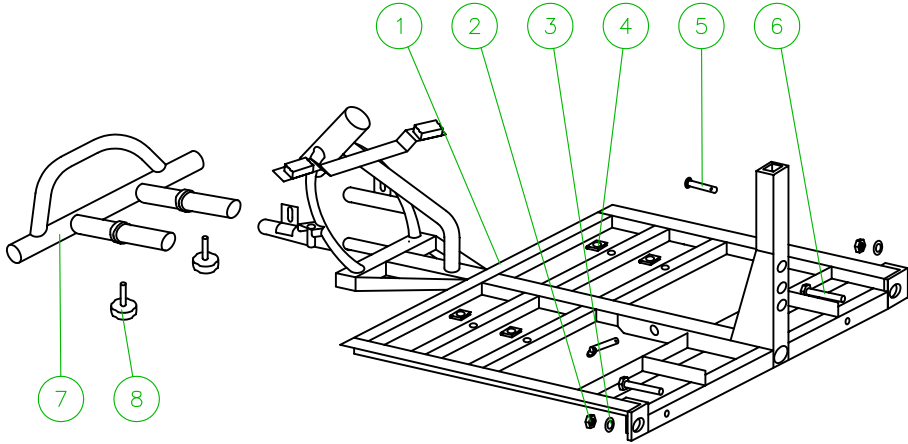



FIG A: FRAME



FOR PART CODES,
SEE LISTING
OPPOSITE

	TITLE: PARTS DIAGRAM M46 (CURTIS) 4-WHEEL MERCURY SCOOTER	DATE: 23/05/02	SHEET No: 1 OF 7	
		DRAWN: PMK	CHECKED:	REVISION No: —
		SCALE: NTS	DWG No: Z40973	

Medicare Technology Ltd,
 Ainley's Industrial Estate, Elland, HX5 9JP.
 T: +44 (0) 1422 314488 F: +44 (0) 1422 314489
 E: enquiries@medicaretechnology.com
 W: www.medicaretechnology.com/technical

MERCURY M46
 CURTIS CONTROLLER VERSION
 SPARE PARTS LISTING

FIG	QTY	DESCRIPTION		
-----	-----	-------------	--	--

FIGURE A: FRAME

1	1	M40110106000	C01-001-10100	FRAME, FRONT SECTION
2	4	920208000	#N/A	NUT WITH WASHER
3	2	921105016	#N/A	SPRING WASHER
4	4	923706000	#N/A	U-TYPE SPRING WASHER
5	2	M40110509100	C01-001-10500	PIN, FRAME
6	2	900208050	#N/A	HEX FLANGE BOLT
7	1	M40110309101	C01-001-10301	FRONT BUMPER M44
8	4	M43000100000	C30-001-00100	LOCKING BOLT, BUMPER
9	2	900208020	#N/A	LOCKING BOLT, FRAME
10	1	M40110206000	C01-001-10200	FRAME, REAR SECTION
11	1	M40110209101	C01-001-10401	REAR BUMPER
12	1	M42810106000	C28-001-10100	ANTI-TIP WHEEL
13	2	935201025	#N/A	'R' CLIP
14	2	921418000	#N/A	WASHER

FIG B: FRONT STEERING ASSEMBLY

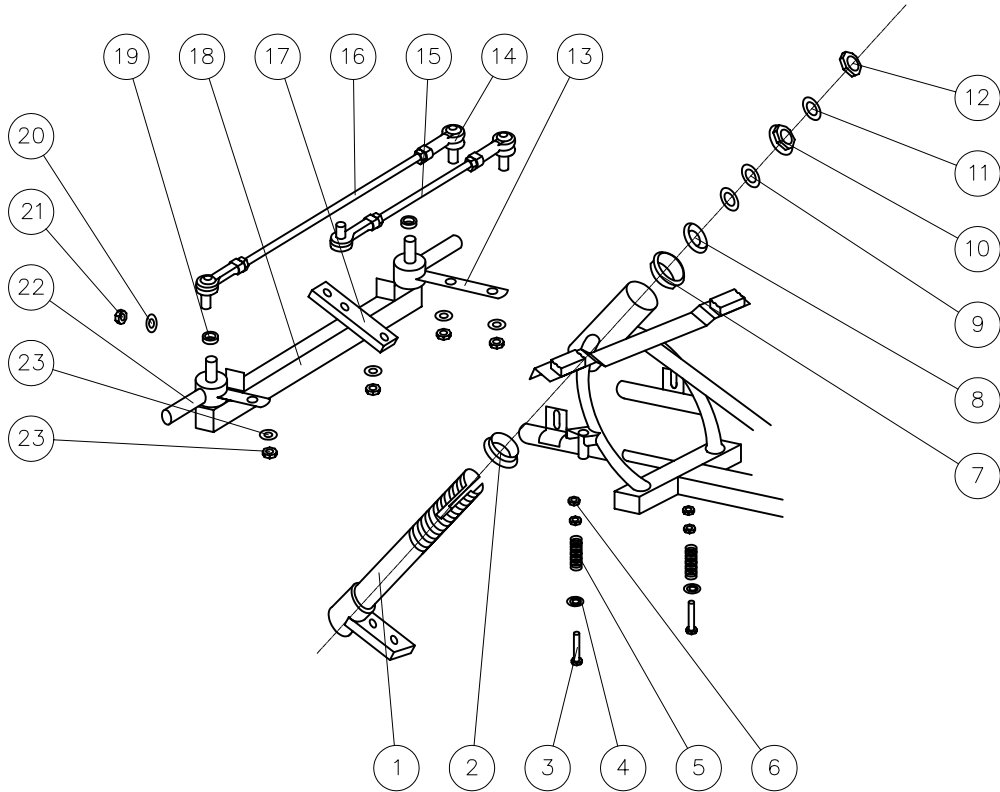
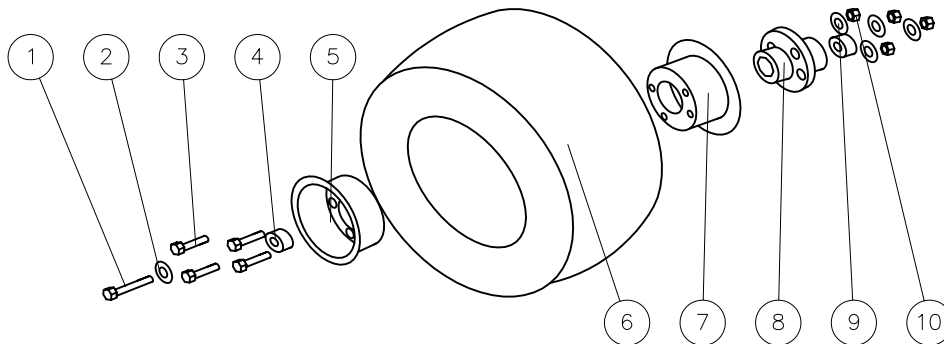


FIG C: FRONT WHEEL AND TYRE ASSEMBLY



FOR PART CODES,
SEE LISTING
OPPOSITE



TITLE:
PARTS MANUAL
M46 (CURTIS) 4-WHEEL
MERCURY SCOOTER

DATE: 23/05/02

SHEET No: 2 OF 7

DRAWN: PMK

CHECKED:

REVISION No: -

SCALE: NTS

DWG No: Z40973

Medicare Technology Ltd,
 Ainley's Industrial Estate, Elland, HX5 9JP.
 T: +44 (0) 1422 314488 F: +44 (0) 1422 314489
 E: enquiries@medicaretechnology.com
 W: www.medicaretechnology.com/technical

MERCURY M46

CURTIS CONTROLLER VERSION
 SPARE PARTS LISTING

FIG	QTY	DESCRIPTION		
-----	-----	-------------	--	--

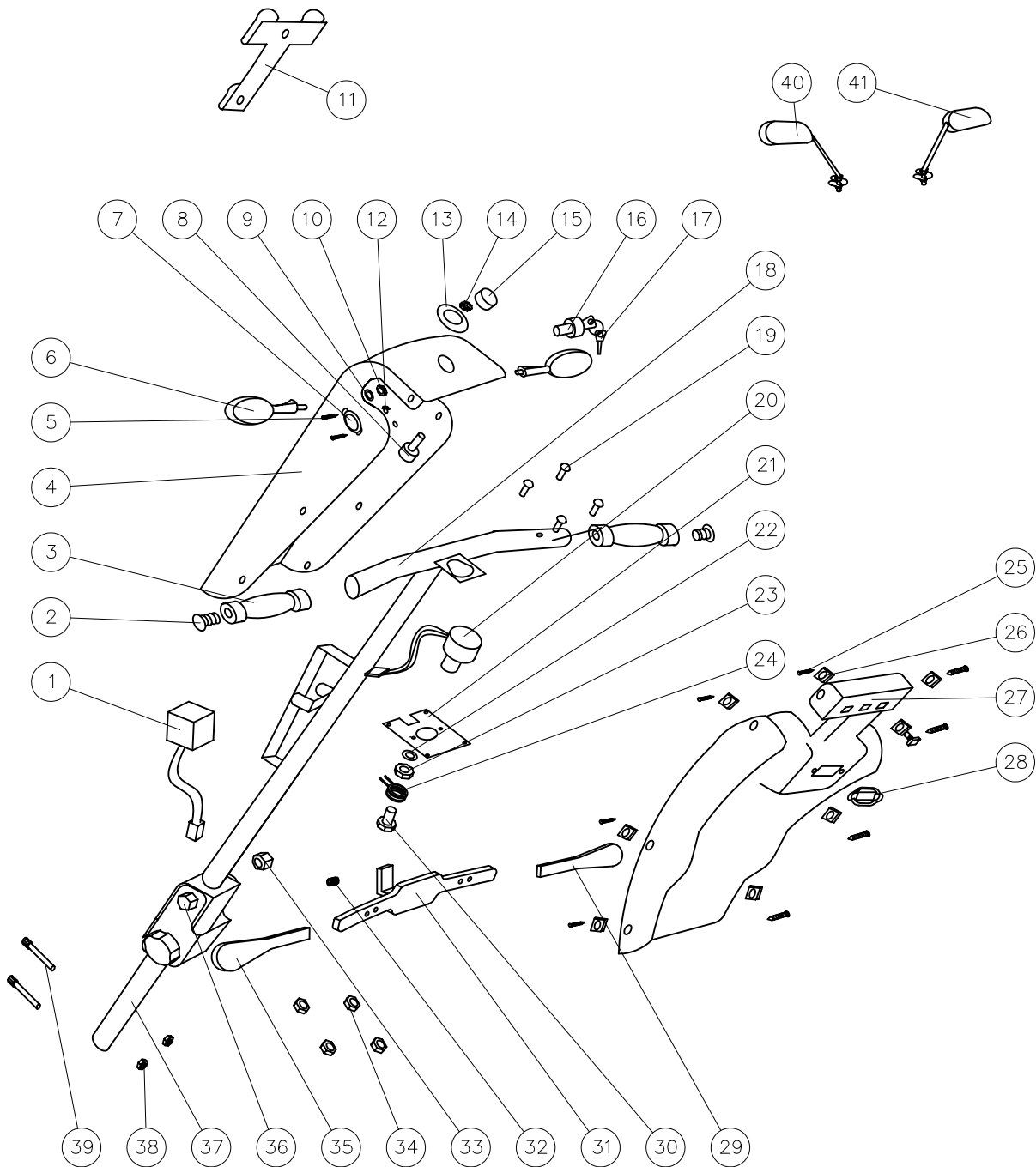
FIGURE B: FRONT STEERING ASSEMBLY

1	1	M40310706000	C03-001-10700	L TYPE STEERING AXLE
2	1	M42900100000	C29-001-00100	BALL BEARING HOLDER, DOWN
3	2	900208090	#N/A	FLANGE BOLT
4	2	921408026	#N/A	SPRING WASHER
5	2	M40740006000	C07-001-40000	SPRING
6	4	*ASKMEDICARE	#N/A	
7	2	M42910106000	C29-001-10100	BEARING BALL HOLDER
8	1	M42910306000	C29-001-10300	BEARING CAGE
9	2	M42910209100	C29-001-10200	BEARING
10	1	M42910406000	C29-001-10400	BEARING BUSH
11	1	921429000	#N/A	COLLARLESS WASHER
12	1	M42910506000	C29-001-10500	BEARING LOCKING NUT
13	1	M40300200000	C03-001-00200	RHS STEERING AXLE (INC. 6001ZZ BEARING)
14	4	M41910806000	C19-001-10800	RBL8 JOINT
15	1	M40310409200	C03-001-10400	CONNECTION ROD, GUIDING
16	1	M40310509200	C03-001-10500	CONNECTION ROD, FRONT FORK
17	1	M40310609200	C03-001-10600	STEERING ARM
18	1	M40310106000	C03-001-10100	FRONT FORK
19	4	M40310809200	C03-001-10800	SPACER
20	1	921407016	#N/A	PLAIN WASHER
21	3	920112000	#N/A	NUT
22	1	M40300100000L	#N/A	HS STEERING AXLE (INC. 6001ZZ BEARING)
23	6	921105016	#N/A	SPRING WASHER
24	6	920108000	#N/A	NYLOC NUT

FIGURE C: FRONT WHEEL AND TYRE ASSEMBLY

1	1	900208025	#N/A	HEXAGON FLANGE BOLT
2	1	921408000	#N/A	PLAIN WASHER
3	4	900208020	#N/A	HEXAGON FLANGE BOLT
4	2	965306202	#N/A	BEARING
5	1	M40510308000	C05-001-10300	OUTER WHEEL RIM
6	1	M40510105000	C05-001-10100	FRONT TYRE, GREY RIB
7	1	M40510406000	C05-001-10400	INNER WHEEL RIM
8	1	M40510500000	C05-001-10500	AXLE COLLAR, FRONT WHEEL
9	5	921105016	#N/A	SPRING WASHER
10	4	920108000	#N/A	NUT
11	1	M40510206000	C05-001-10200	INNER TUBE (NOT SHOWN ON DIAGRAM)

FIG D: TILLER ASSEMBLY



FOR PART CODES,
SEE LISTING
OPPOSITE

Wheeltech

TITLE:
PARTS DIAGRAM
M46 (CURTIS) 4-WHEEL
MERCURY SCOOTER

DATE: 08/05/02

SHEET No: 3 OF 7

DRAWN: PMK

CHECKED:

REVISION No: -

SCALE: NTS

DWG No: Z40973

Medicare Technology Ltd,
 Ainley's Industrial Estate, Elland, HX5 9JP.
 T: +44 (0) 1422 314488 F: +44 (0) 1422 314489
 E: enquiries@medicaretechnology.com
 W: www.medicaretechnology.com/technical

MERCURY M46

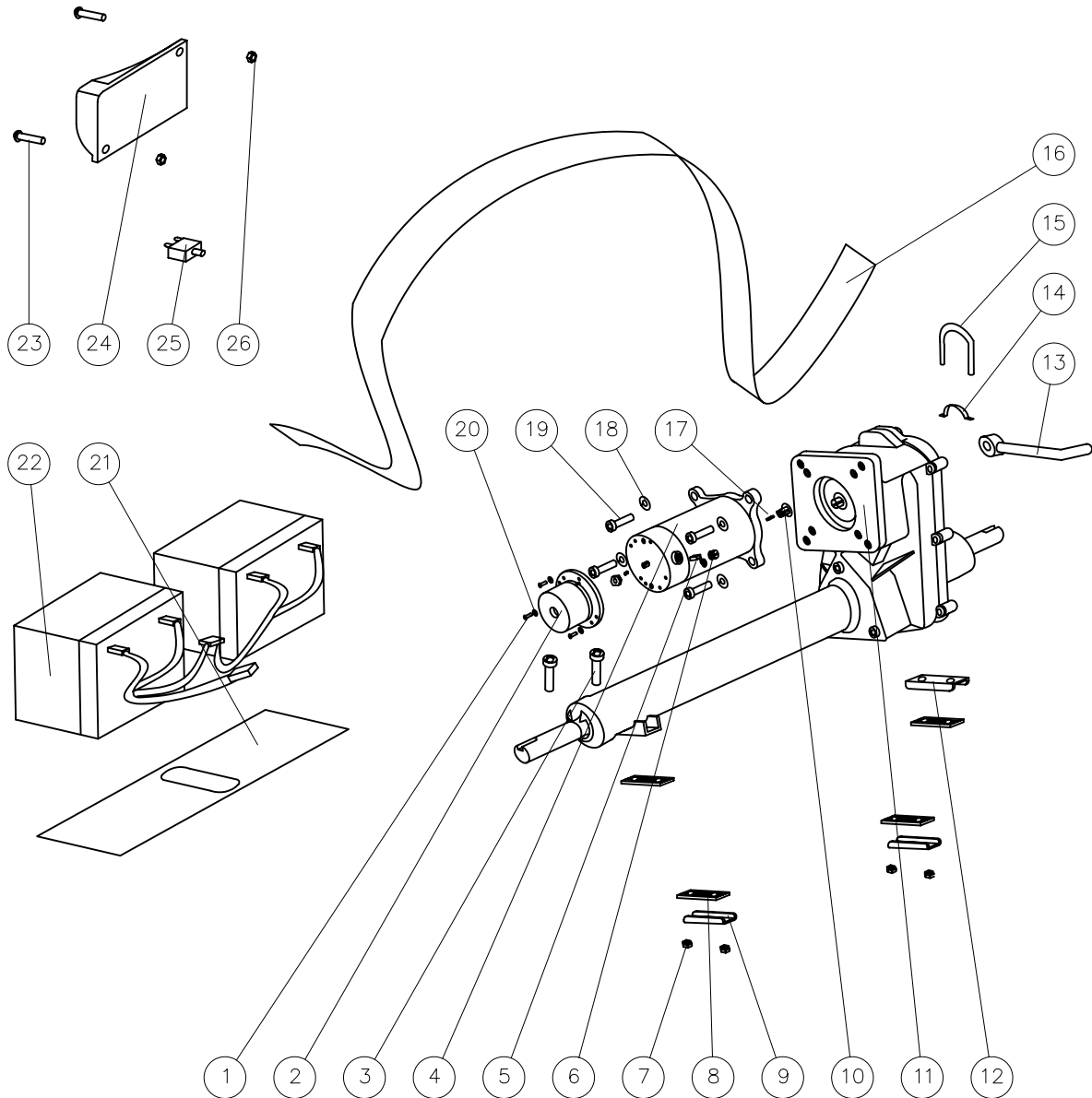
CURTIS CONTROLLER VERSION
 SPARE PARTS LISTING

FIG	QTY	DESCRIPTION		
-----	-----	-------------	--	--

FIGURE D: TILLER ASSEMBLY

1	1	M41210706000	C12-001-10700	FLASHER RELAY
2	2	M42210106000	C22-001-10100	HAND GRIP PLUG
3	2	M42010106000	C20-001-10100	FOAM HAND GRIP
4	1	M30810301100	#N/A	TILLER FRONT COVER (RED)
		M30800305100	C08-002-00351	TILLER FRONT COVER (BLUE)
5	2	901003000	#N/A	SCREWS FOR BATTERY GAUGE
6	2	M41510108000	C15-001-10100	FRONT INDICATOR LAMP
7	1	M41210216000	C12-001-10200	CHARGER SOCKET ASSEMBLY
8	1	M41210509100	C12-001-10500	SPEED DIAL POT
9	2	921410000	#N/A	PLAIN WASHER
10	0.2	920210000	#N/A	NUT WITH WASHER
11	1.1	M42310206001	C23-001-10200	TILLER BASKET BRACKET
12	2.2	920103000	#N/A	NYLOC NUT
13	3.1	M4LEE306	#N/A	SPEED DIAL LABEL
14	1	*ASKMEDICARE	#N/A	
15	1	M40620506000	C06-001-20500	SPEED DIAL
16	1	M41810807000	C18-001-10800	IGNITION AND KEY ASSEMBLY
17	1	*ASKMEDICARE*KE	#N/A	
18	1	M30210106000	#N/A	HANDLE BAR
19	4	900503010	#N/A	CR ROUND HD SCREW
20	1	M41210406000	C12-001-10400	THOTTLE POT
21	1	M41200400000	C12-001-00400	THOTTLE POT BASE PLATE
22	1	*ASKMEDICAREW#	#N/A	WASHER
23	1	*ASKMEDICARENU	#N/A	NUT
24	1	M41200300000	C12-001-00300	THOTTLE POT TORSION SPRING
25	8	901304020	#N/A	SELF TAPPING SCREW
26	8	923704000	#N/A	U-TYPE SPRING NUT
27	1	M30810401100	#N/A	TILLER REAR COVER (RED)
		M30800405100	#N/A	TILLER REAR COVER (BLUE)
28	1	M41110106000	C11-001-10100	BATTERY GAUGE
29	1	L41200400000	C12-005-00400	RHS THOTTLE LEVER COVER
30	1	920308013	#N/A	NYLOC NUT
31	1	M41200200000	C12-001-00200	THOTTLE LEVER
32	1	935804040	#N/A	LOCKING SCREW
33	1	920110000	#N/A	NYLOC NUT
34	4	920103000	#N/A	NYLOC NUT
35	1	L41200300000	C12-005-00300	LHS THOTTLE LEVER COVER
36	1	900210060	#N/A	HANDLE BAR ADJUSTMENT BOLT
37	1	M40210209100	C02-001-10200	HANDLE BAR ADJUSTER
38	2	920106000	#N/A	NYLOC NUT
39	2	902108020	#N/A	HEX BOLT
40	1	M43700200000	C37-001-00200	RHS REAR VIEW MIRROR ASSEMBLY
41	1	M43700300000	C37-001-00300	LHS REAR VIEW MIRROR ASSEMBLY

FIG E: MOTOR AND CONTROLLER ASSEMBLY



FOR PART CODES,
SEE LISTING
OPPOSITE



TITLE:
PARTS DIAGRAM
M46 (CURTIS) 4-WHEEL
MERCURY SCOOTER

DATE: 08/05/02
DRAWN: PMK
SCALE: NTS

SHEET No: 4 OF 7
CHECKED: REVISION No: -
DWG No: Z40973

Medicare Technology Ltd,
 Ainley's Industrial Estate, Elland, HX5 9JP.
 T: +44 (0) 1422 314488 F: +44 (0) 1422 314489
 E: enquiries@medicaretechnology.com
 W: www.medicaretechnology.com/technical

MERCURY M46

CURTIS CONTROLLER VERSION
 SPARE PARTS LISTING

FIG	QTY	DESCRIPTION		
-----	-----	-------------	--	--

FIGURE E: MOTOR AND CONTROLLER ASSEMBLY

1	3	900504010	#N/A	CR ROUND HD SCREW
2	1	M40910307700	C09-001-10300	ELECTRO-MAGNETIC BRAKE
3	2	902108050	#N/A	CAP HEAD BOLT
4	1	M40910107700	C09-001-10100	MOTOR
5	2	M30900100020	C09-002-00100	CARBON BRUSH
6	2	M30900200020	C09-002-00200	CARBON BRUSH BOLT
7	1	920108000	#N/A	NYLOC NUT
8	1	M40590206000	C05-001-90200	RUBBER DAMPER PAD, MOTOR
9	2	M40910509200	C09-001-10500	U-TYPE PLATE, MOTOR
10	1	*ASKMEDICARE	#N/A	
11	1	M40910207700	C09-001-10200	TRANSAXLE
12	1	M40910509200	C09-001-10500	U-TYPE PLATE, MOTOR
13	1	M40910309201	C09-001-10600	FREE-WHEEL LEVER
14	2	M40910409200	C09-001-10400	ARCH-TYPE PLATE, MOTOR
15	2	902408095	#N/A	U-TYPE BOLE, MOTOR
16	1	M40790106000	C07-001-90100	VELCRO BATTERY STRAP
17	1	*ASKMEDICARE	#N/A	
18	4	921105016	#N/A	SPRING WASHER
19	4	902108020	#N/A	CAP HEAD BOLT
20	3	921104000	#N/A	M4 SPRING WASHER
21	1	M42510106000	C25-001-10100	RUBBER BATTERY MAT
22	2	12V34AH	#N/A	12V 34AH SEALED BATTERY
23	2	900505020	#N/A	CR ROUND HD SCREW
24	1	M41010104200	C10-001-10100	CURTIS 70A CONTROLLER
25	1	M41610606000	C16-001-10600	50A CIRCUIT BREAKER
26	2	920105000	#N/A	NYLOC NUT

FIG F: REAR WHEEL AND TYRE ASSEMBLY

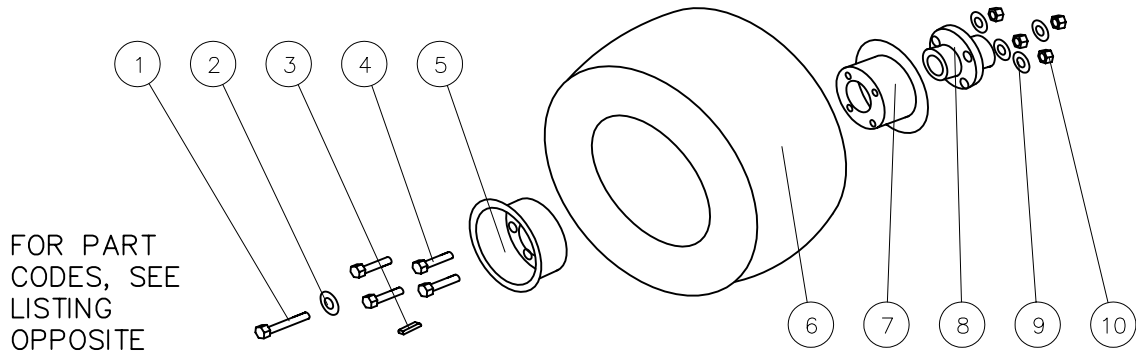
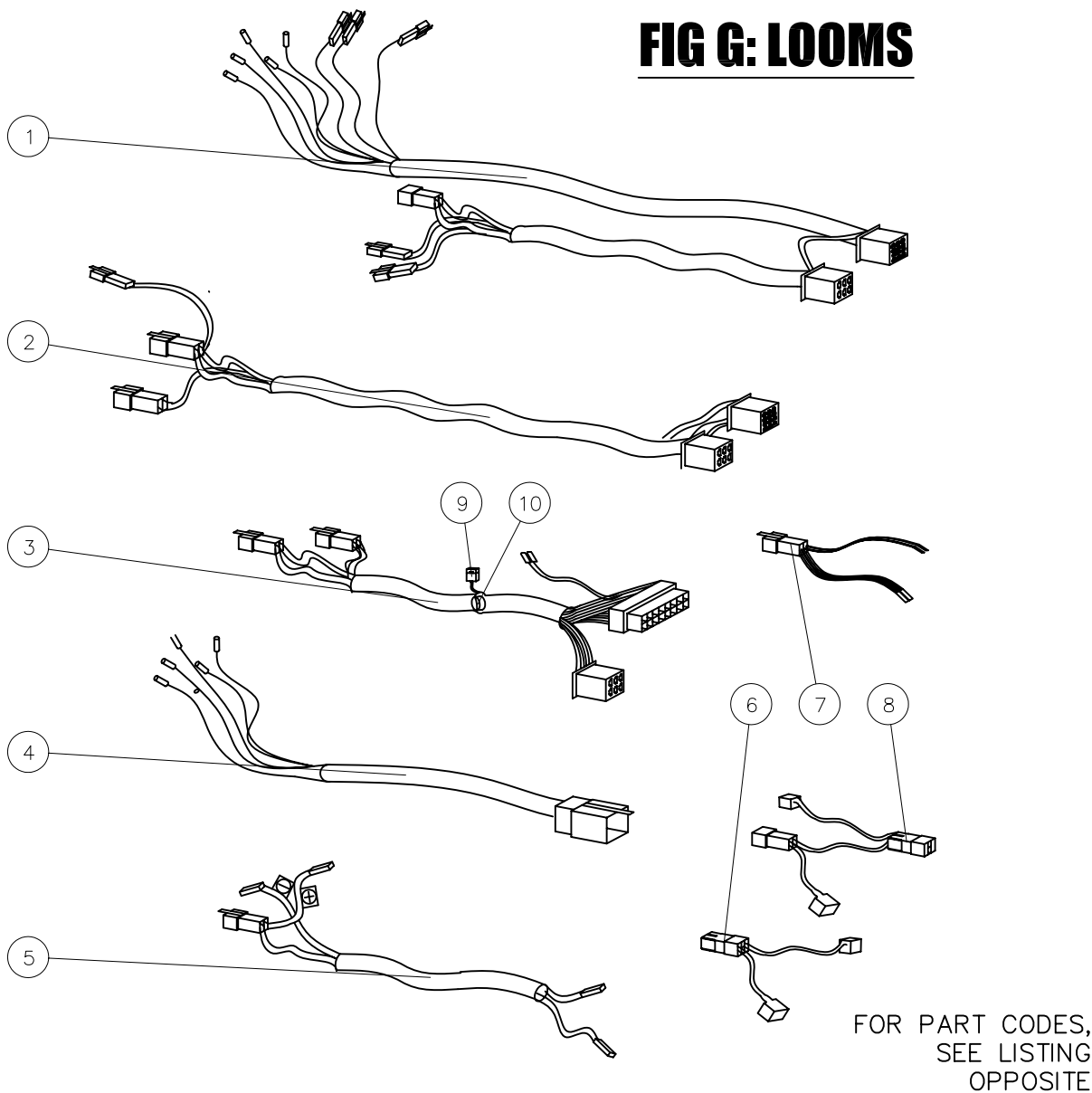


FIG G: LOOMS



TITLE:
 PARTS DIAGRAM
 M46 (CURTIS) 4-WHEEL
 MERCURY SCOOTER

DATE: 08/05/02
 DRAWN: PMK
 SCALE: NTS

SHEET No: 5 OF 7
 CHECKED:
 REVISION No: -
 DWG No: Z40973

Medicare Technology Ltd,
 Ainley's Industrial Estate, Elland, HX5 9JP.
 T: +44 (0) 1422 314488 F: +44 (0) 1422 314489
 E: enquiries@medicaretechnology.com
 W: www.medicaretechnology.com/technical

MERCURY M46

CURTIS CONTROLLER VERSION
 SPARE PARTS LISTING

FIG	QTY	DESCRIPTION		
-----	-----	-------------	--	--

FIGURE F: REAR WHEEL AND TYRE ASSEMBLY

1	1	900208025	#N/A	HEXAGON FLANGE BOLT
2	1	921408000	#N/A	PLAIN WASHER
3	1	935705020	#N/A	DOUBLE ROUND END PIN
4	4	900208020	#N/A	HEXAGON FLANGE BOLT
5	1	M40510308000	C05-001-10300	OUTER WHEEL RIM
6	1	M40610105000	C06-001-10100	REAR TYRE, GREY HEX BLOCK
7	1	M40510406000	C05-001-10400	INNER WHEEL RIM
8	1	M40610200000	C06-001-10200	AXLE COLLAR, REAR WHEEL
9	5	921105016	#N/A	SPRING WASHER
10	4	920108000	#N/A	NUT
11	1	M40510206000	C05-001-10200	INNER TUBE (NOT SHOWN ON DIAGRAM)

FIGURE G: LOOMS

1	1	L41810106000	#N/A	WIRE HARNESS, FRONT SECTION
2	1	M4180010000	#N/A	WIRE HARNESS, MID FRAME
3	1	L41810206000	#N/A	WIRE HARNESS, REAR SECTION
4	1	M4180010000	#N/A	CABLE UNIT, REAR SHROUD
5	1	M41810507000	C18-001-10500	MOTOR POWER CABLE
6	1	M41810305000	C18-001-10300	BATTERY CABLE (+)
7	1	M4181020100	#N/A	CONTROLLER WIRE, TO CUT OUT
8	1	M41810306000	C18-001-10400	BATTERY CABLE (-)
9	1	M41200100000	C12-001-00100	10A BLADE FUSE
10	1	M41210806000	C12-001-10800	BUZZER

FIG H: FRONT SHROUD ASSEMBLY

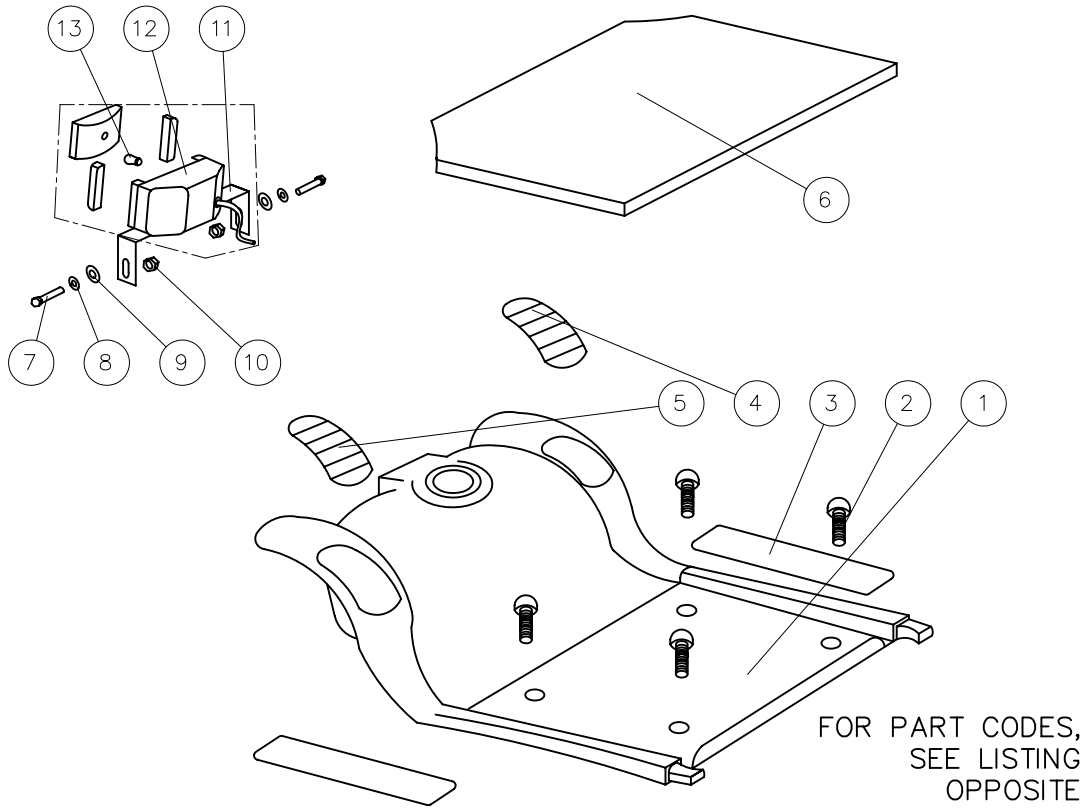
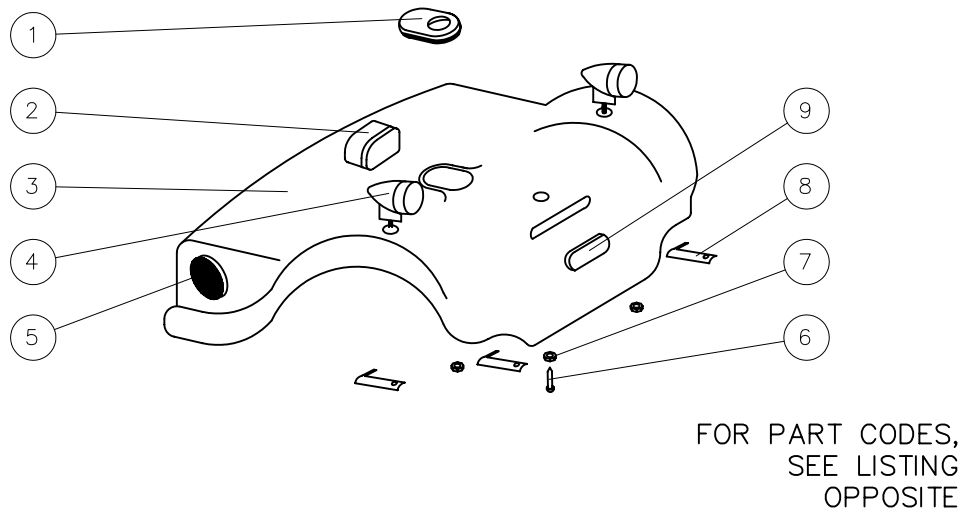


FIG I: REAR SHROUD ASSEMBLY



TITLE:
PARTS DIAGRAM
M46 (CURTIS) 4-WHEEL
MERCURY SCOOTER

DATE: 08/05/02
DRAWN: PMK
SCALE: NTS

SHEET No: 6 OF 7
REVISION No: -
DWG No: Z40973

Medicare Technology Ltd,
 Ainley's Industrial Estate, Elland, HX5 9JP.
 T: +44 (0) 1422 314488 F: +44 (0) 1422 314489
 E: enquiries@medicaretechnology.com
 W: www.medicaretechnology.com/technical

MERCURY M46

CURTIS CONTROLLER VERSION
 SPARE PARTS LISTING

FIG	QTY	DESCRIPTION		
-----	-----	-------------	--	--

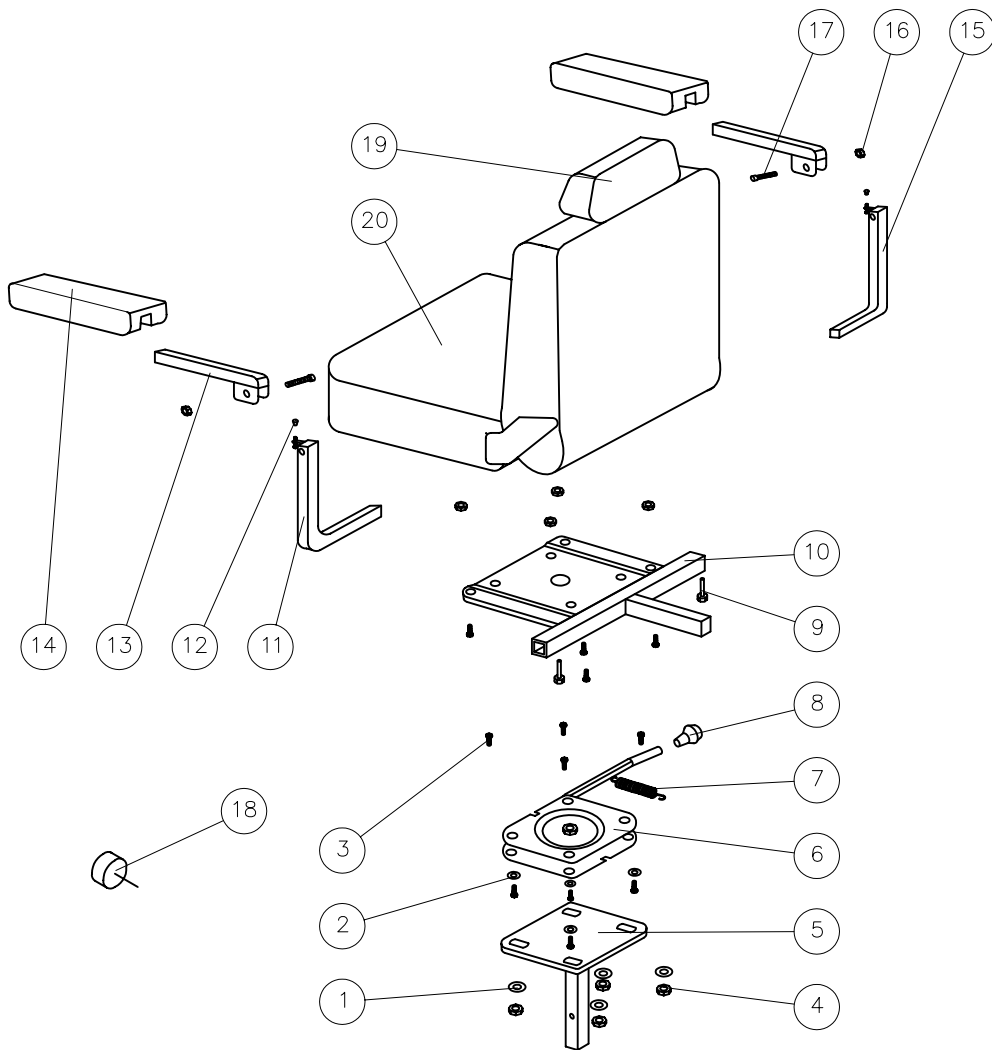
FIGURE H: FRONT SHROUD ASSEMBLY

1	1	M40810101100	#N/A	M44 FRONT SHROUD (RED)
		M40810105100	#N/A	M44 FRONT SHROUD (BLUE)
2	4	900506020	#N/A	CR ROUND HEAD SCREW
3	2	M42500100000	C25-001-00100	SCUFF PROTECTORS
4	1	M42600200000	C26-001-00200	M44 RHS RUBBER FOOTREST PAD
5	1	M42600300000	C26-001-00300	M44 LHS RUBBER FOOTREST PAD
6	1	M42100100000	C21-001-00100	M44 WHEELTECH CARPET
7	2	900208020	#N/A	HEX SCREW
8	2	921105016	#N/A	SPRING WASHER
9	2	921408000	#N/A	PLAIN WASHER
10	2	920108000	#N/A	NUT
11	1	M41300100000	C13-001-00100	HEADLAMP HOLDING BRACKET
12	1	M41310106000	C13-001-10100	HEADLAMP UNIT
13	1	M41300200000	C13-001-00200	BULB FOR HEADLAMP

FIGURE I: REAR SHROUD ASSEMBLY

1	1	M42590106001	C25-001-90200	RUBBER COVER, REAR SHROUD
2	1	M41710108000	C17-001-10100	REAR LAMP
3	1	M40810201100	#N/A	M34 / M44 REAR SHROUD (RED)
		M40800205100	C08-001-00251	M34 / M44 REAR SHROUD (BLUE)
4	2	M41610108000	C16-001-10100	REAR INDICATOR LAMP
5	2	M42410108000	C24-001-10100	SIDE REFLECTOR
6	1	900505015	#N/A	ROUND HD SCREW
7	1	920105000	#N/A	NYLOC NUT
8	3	M40800500000	C08-001-00500	WIRE CLIP
9	1	M42410201000	C24-001-10200	REAR REFLECTOR

FIG I: STANDARD SEAT ASSEMBLY



FOR PART CODES,
SEE LISTING
OPPOSITE



TITLE:
PARTS DIAGRAM
M46 (CURTIS) 4-WHEEL
MERCURY SCOOTER

DATE: 08/05/02
DRAWN: PMK
SCALE: NTS

SHEET No: 7 OF 7
CHECKED:
REVISION No: -
DWG No: Z40973

Medicare Technology Ltd,
 Ainley's Industrial Estate, Elland, HX5 9JP.
 T: +44 (0) 1422 314488 F: +44 (0) 1422 314489
 E: enquiries@medicaretechnology.com
 W: www.medicaretechnology.com/technical

MERCURY M46
 CURTIS CONTROLLER VERSION
 SPARE PARTS LISTING

FIG	QTY	DESCRIPTION		
-----	-----	-------------	--	--

FIGURE J: SEAT ASSEMBLY

1	12	921405160	#N/A	PLAIN WASHER
2	12	921105016	#N/A	SPRING WASHER
3	14	900208025	#N/A	HEXAGON FLANGE BOLT
4	12	920108000	#N/A	NYLOC NUT
5	1	M40710906000	#N/A	SEAT POST
6	1	M40710809200	#N/A	SEAT ROTATER
7	1	M40730006000	#N/A	SEAT ROTATER SPRING
8	1	M40700300000	C07-001-00300	ROTATER BAR KNOB
9	2	M43000100000	C30-001-00100	LOCK BOLT, BUMPER
10	1	M40711006000	#N/A	SEAT HOLDER PLATE
11	1	M40710306000	#N/A	L-TYPE HOLDER, LHS ARM REST
12	2	M43710206000	C37-001-10200	BOLT RUBBER COVER
13	2	M40720006000	#N/A	ARM REST FRAME
14	2	M40710606000	C07-001-10600	ARM REST PU PAD
15	1	M40710406000	#N/A	L-TYPE HOLDER, RHS ARM REST
16	2	920106020	#N/A	ANTI-SLIP NUT
17	2	902116035	#N/A	HEXAGON BOLT
18	1	M43010206000	C30-001-10200	SEAT POST SECUREMENT KNOB
19	1	M40700200000	C07-001-00200	HEAD REST
20	1	L40700100000	C07-005-00100	SEAT UNIT