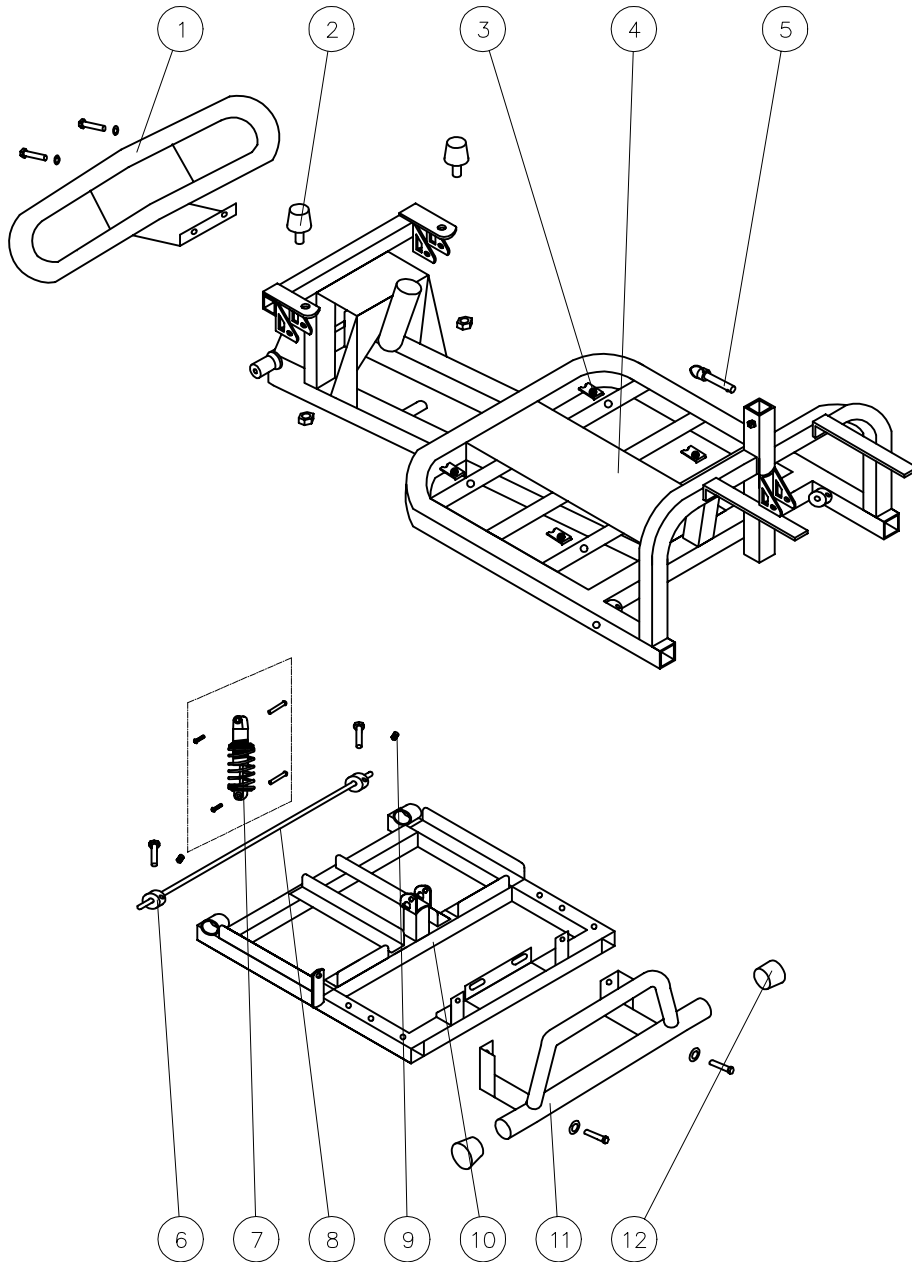


# FIG A: FRAME



FOR PART CODES,  
SEE SEPERATE  
LISTING



TITLE:  
PARTS MANUAL  
M48 4-WHEEL  
MERCURY SCOOTER

DATE: 23/05/02  
DRAWN: PMK  
SCALE: NTS

SHEET No: 1 OF 8  
CHECKED: REVISION No: -  
DWG No: M48

**Medicare Technology Ltd,**  
 Ainley's Industrial Estate, Elland, HX5 9JP.  
 T: +44 (0) 1422 314488 F: +44 (0) 1422 314489  
 E: enquiries@medicaretechnology.com  
 W: www.medicaretechnology.com/technical

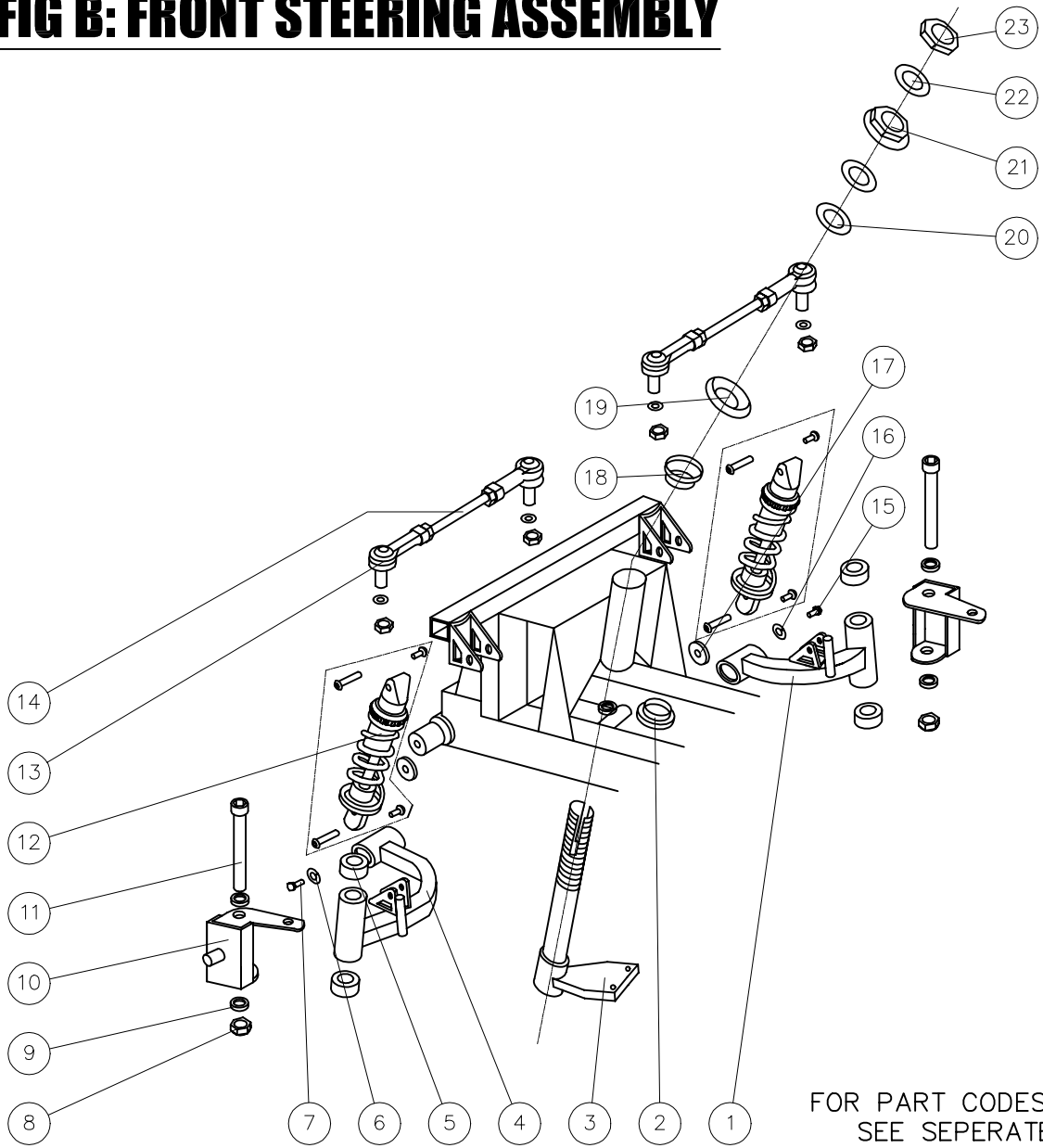
**MERCURY M48**  
 CURTIS CONTROLLER VERSION  
**SPARE PARTS LISTING**

FIG	QTY	OLD PART CODE	PART CODE	DESCRIPTION
-----	-----	---------------	-----------	-------------

**FIG A: FRAME ASSEMBLY**

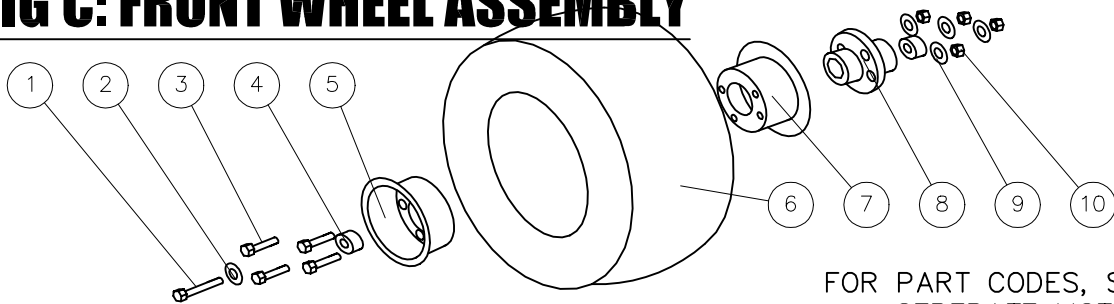
1	1	L40100100000	C01-005-00100	PLUG, REAR BUMPER
2	2	L42500200000	C25-005-00200	DAMPER PAD w. BOLT, FR SHROUD
3	4	923706000	#N/A	U TYPE SPRING
4	1	L40100400000	C01-005-00400	FRAME, FRONT SECTION
5	1	M40110509100	C01-001-10500	ROD, FRAME
6	2	L40200300000	C02-005-00300	COLLAR
7	1	L40400100000	C04-022-01700	FRONT SHOCK ABSORBER, 650LB
8	1	L40115091000	#N/A	BAR
9	2	93580608	#N/A	BOLT, ALLAN KEY
10	1	L40100500000	C01-005-00500	FRAME, REAR SECTION
11	1	L40100200000	C01-005-00200	REAR BUMPER
12	2	L42200100000	C22-005-00100	PLUG, REAR BUMPER

# FIG B: FRONT STEERING ASSEMBLY



FOR PART CODES,  
SEE SEPERATE  
LISTING

# FIG C: FRONT WHEEL ASSEMBLY



FOR PART CODES, SEE  
SEPERATE LISTING



TITLE:

PARTS MANUAL  
M48 4-WHEEL  
MERCURY SCOOTER

DATE:

23/05/02

SHEET No:

2 OF 8

DRAWN:

PMK

CHECKED:

REVISION No:

-

SCALE:

NTS

DWG No:

M48

Medicare Technology Ltd,  
 Ainley's Industrial Estate, Elland, HX5 9JP.  
 T: +44 (0) 1422 314488 F: +44 (0) 1422 314489  
 E: enquiries@medicaretechnology.com  
 W: www.medicaretechnology.com/technical

**MERCURY M48**  
 CURTIS CONTROLLER VERSION  
**SPARE PARTS LISTING**

FIG	QTY	OLD PART CODE	PART CODE	DESCRIPTION
-----	-----	---------------	-----------	-------------

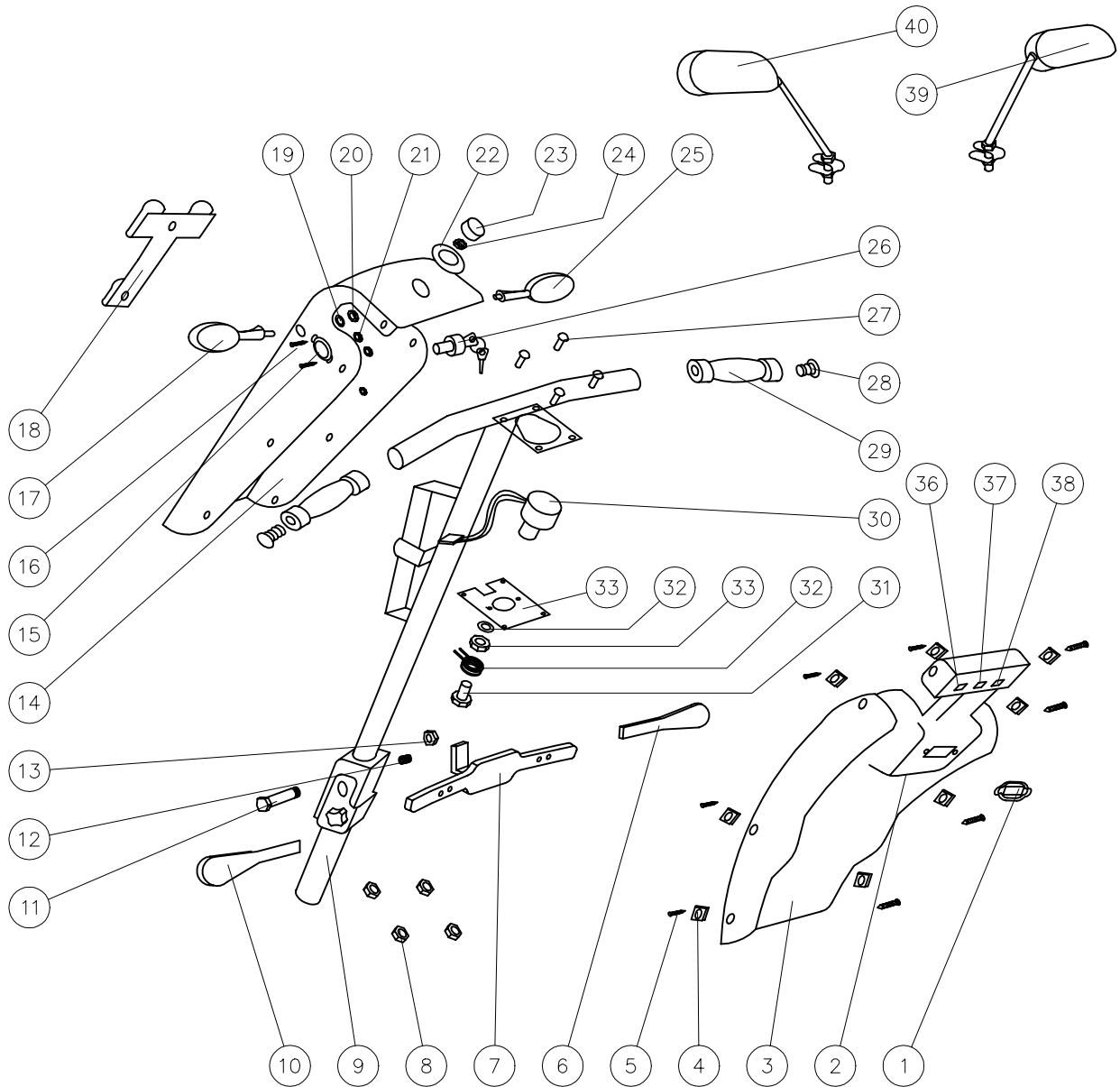
**FIG B: FRONT STEERING ASSEMBLY**

1	1	L40300900000	C03-005-00900	RHS SWING ARM (w. 6001ZZ BEARING)
2	1	M42910106000	C29-001-10100	BEARING BALL HOLDER (INC. FIG B PART 18)
3	1	L40300100000	C03-005-00100	L TYPE STEERING ARM
4	1	L40300700000	C03-005-00700	LHS SWING ARM (w. 6001ZZ BEARING)
5	4	965306001	#N/A	6001ZZ BEARING
6	1	* ASK MEDICARE	#N/A	
7	1	* ASK MEDICARE	#N/A	
8	2	920112000	#N/A	NYLOC NUT
9	4	M40310809200	C03-001-10800	SPACER TUBE
10	1	L40300200000	C03-005-00200	LHS STEERING AXLE
11	2	902112095	#N/A	HEX BOLT, ALLAN KEY
12	2	L40300800000	C03-005-00800	REAR SHOCK ABSORBER (150LB)
13	4	M41910806000	C19-001-10800	JOINT
14	2	L40300600000	C03-005-00600	GUIDE CONNECTION ROD
15	1	* ASK MEDICARE	#N/A	
16	1	* ASK MEDICARE	#N/A	
17	2	* ASK MEDICARE	#N/A	
18	1	M42910106000	C29-001-10100	BEARING BALL HOLDER (INC. FIG B PART 2)
19	1	M42910306000	C29-001-10300	BEARING CAGE
20	2	M42910209100	C29-001-10200	BEARING, BALL HOLDER
21	1	M42910406000	C29-001-10400	BEARING BUSH
22	1	921429000	#N/A	COLLARLESS WASHER
23	1	M42910506000	C29-001-10500	BEARING LOCKING NUT

**FIG C: FRONT WHEEL ASSEMBLY**

1	1	900208025	#N/A	HEX FLANGE BOLT, WHEEL CENTRE
2	1	921408000	#N/A	PLAIN WASHER
3	4	900208020	#N/A	HEX FLANGE BOLT
4	2	965306202	#N/A	BEARING
5	1	L40500300000	C05-005-00300	OUTER WHEEL RIM
6	1	L40500105000	C05-005-01400	TYRE, GREY 400X5 HEX BLOCK
7	1	L40500400000	C05-005-00400	INNER WHEEL RIM
8	1	M40510500000	C05-001-10500	AXLE COLLAR, FRONT WHEEL
9	5	921105016	#N/A	SPRING WASHER
10	5	900208025	#N/A	NUT
11	1	L40500200000	C05-005-00200	INNER TUBE (NOT SHOWN)

# FIG D: TILLER ASSEMBLY



FOR PART CODES,  
SEE SEPERATE  
LISTING



TITLE:  
PARTS MANUAL  
M48 4-WHEEL  
MERCURY SCOOTER

DATE: 23/05/02  
DRAWN: PMK  
SCALE: NTS

SHEET No: 3 OF 8  
CHECKED:  
REVISION No: -  
DWG No: M48

Medicare Technology Ltd,  
 Ainley's Industrial Estate, Elland, HX5 9JP.  
 T: +44 (0) 1422 314488 F: +44 (0) 1422 314489  
 E: enquiries@medicaretechnology.com  
 W: www.medicaretechnology.com/technical

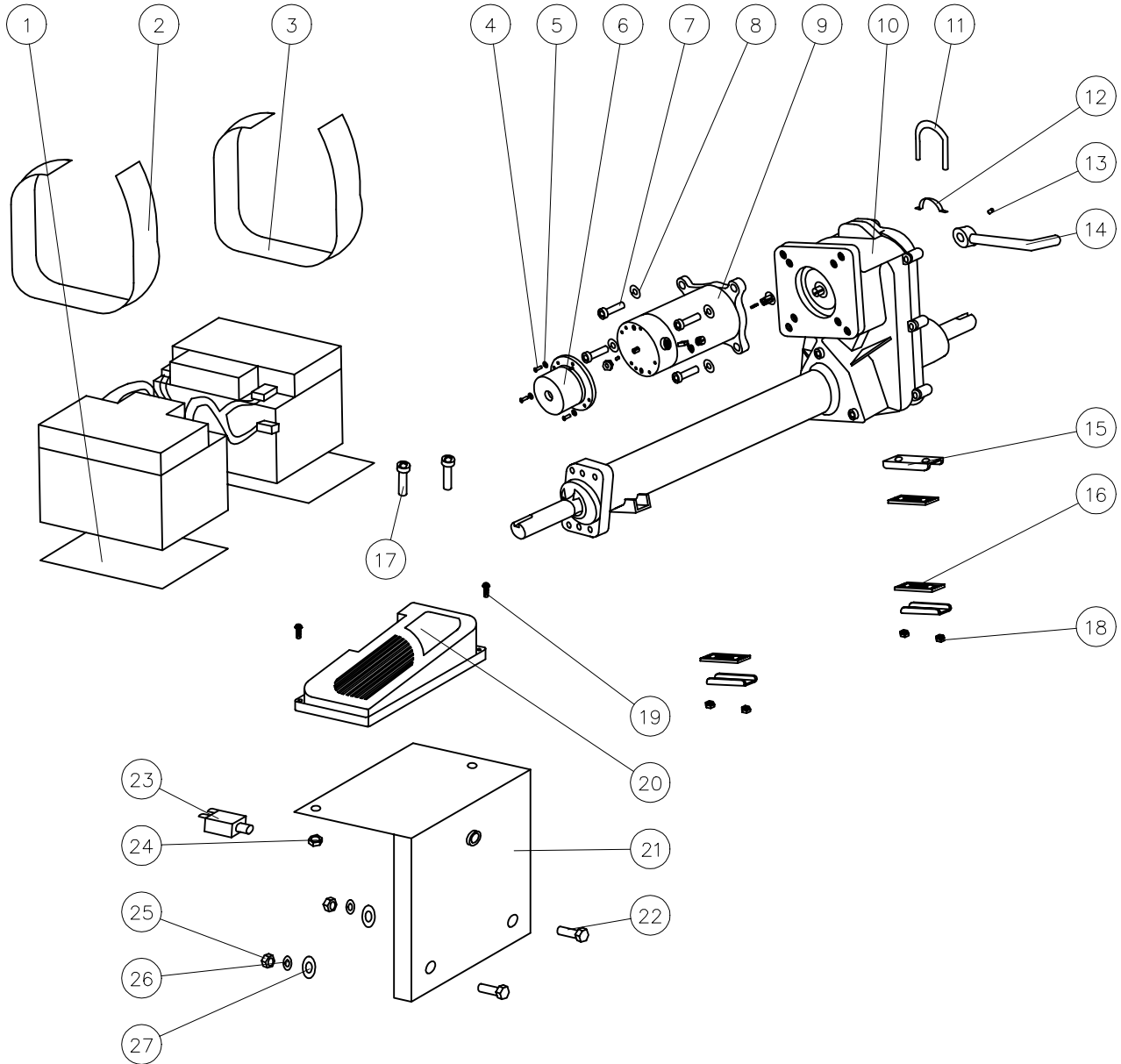
**MERCURY M48**  
 CURTIS CONTROLLER VERSION  
**SPARE PARTS LISTING**

FIG	QTY	OLD PART CODE	PART CODE	DESCRIPTION
-----	-----	---------------	-----------	-------------

**FIG D: TILLER ASSEMBLY**

1	1	M41110106000	C11-001-10100	BATTERY INDICATOR
2	1	M41610306000	C16-001-10300	4MPH / 8MPH SWITCH
		L40800401100	C08-005-00411	M48 REAR TILLER COVER (RED)
		L40800405100	C08-005-00451	M48 REAR TILLER COVER (BLUE)
3	1	L40800406100	C08-005-00461	M48 REAR TILLER COVER (BLACK)
		L40800407100	C08-005-00471	M48 REAR TILLER COVER (CHAMPAGNE)
		L40800407200	C08-005-00472	M48 REAR TILLER COVER (SILVER)
4	8	923704000	#N/A	U TYPE SPRING NUT
5	8	901304020	#N/A	TAPPING SCREW
6	1	L41200400000	C12-005-00400	RHS SPEED LEVER COVER
7	1	M41200200000	C12-001-00200	SPEED LEVER
8	4	920103000	#N/A	NUT
9	1	L40200400000	C02-005-00400	T TYPE HANDLEBAR ASSEMBLY
10	1	L41200300000	C12-005-00300	LHS SPEED LEVER COVR
11	1	900210060	#N/A	ADJUSTING BOLT, HANDLEBAR
12	1	* ASK MEDICARE	#N/A	
13	1	920110000	#N/A	NYLOC NUT
		L40800301100	C08-005-00311	M48 FRONT HANDLEBAR COVER (RED)
		L40800305100	C08-005-00351	M48 FRONT HANDLEBAR COVER (BLUE)
14	1	L40800306100	C08-005-00361	M48 FRONT HANDLEBAR COVER (BLACK)
		L40800307100	C08-005-00371	M48 FRONT HANDLEBAR COVER (CHAMPAGNE)
		L40800307200	C08-005-00372	M48 FRONT HANDLEBAR COVER (SILVER)
15	1	M4110216000	#N/A	CHARGER SOCKET ASSEMBLY
16	2	901003000	#N/A	CR PAN HEAD SCREW
17	1	M41510108000	C15-001-10100	FRONT INDICATOR LAMP
18	1	M42310206001	C23-001-10200	BASKET HOLER BRACKET
19	2	921410000	#N/A	PLAIN WASHER
20	2	920210000	#N/A	NUT WITH WASHER
21	2	920103000	#N/A	NYLOC NUT
22	1	M4LEE306	#N/A	SPEED DIAL LABEL
23	1	* ASK MEDICARE	#N/A	
24	1	M40620506000	C06-001-20500	SPEED DIAL
25	1	M41510108000	C15-001-10100	FRONT INDICATOR LAMP
26	1	M41810507000	C18-001-10500	KEY IGNITION ASSEMBLY
27	4	920103000	#N/A	NUT
28	2	M42210106000	C22-001-10100	PLUG, GRIP
29	2	M42010106000	C20-001-10100	FOAM HAND GRIP
30	1	M41210406000	C12-001-10400	THROTTLE POT
31	1	920308013	#N/A	THROTTLE POT NYLOC NUT
32	1	M41200300000	C12-001-00300	TORSION SPRING, THOTTLE POT
33	1	* ASK MEDICARE	#N/A	
34	1	* ASK MEDICARE	#N/A	
35	1	M41200400000	C12-001-00400	FIXING PLATE, THROTTLE POT
36	1	M41610202000	C16-001-10200	HORN BUTTON
37	1	M41610401000	C16-001-10400	INDICATOR SWITCH
38	1	M41610104000	C16-001-10500	HEADLAMP BUTTON
39	1	M43700200000	C37-001-00200	RHS REAR VIEW MIRROR
40	1	M43700300000	C37-001-00300	LHS REAR VIEW MIRROR

# FIG E: MOTOR AND CONTROLLER ASSEMBLY



FOR PART CODES,  
SEE SEPERATE  
LISTING



TITLE:  
PARTS MANUAL  
M48 4-WHEEL  
MERCURY SCOOTER

DATE: 23/05/02  
DRAWN: PMK  
SCALE: NTS

SHEET No: 4 OF 8  
CHECKED:  
REVISION No: -  
DWG No: M48

**Medicare Technology Ltd,**  
 Ainley's Industrial Estate, Elland, HX5 9JP.  
 T: +44 (0) 1422 314488 F: +44 (0) 1422 314489  
 E: enquiries@medicaretechnology.com  
 W: www.medicaretechnology.com/technical

**MERCURY M48**  
 CURTIS CONTROLLER VERSION  
**SPARE PARTS LISTING**

FIG	QTY	OLD PART CODE	PART CODE	DESCRIPTION
-----	-----	---------------	-----------	-------------

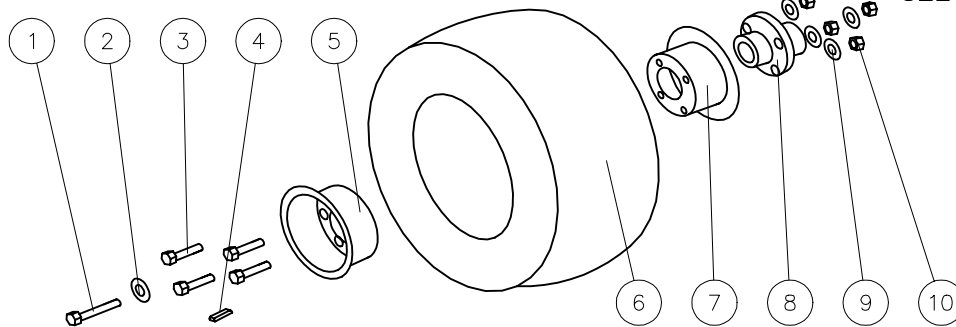
**FIG E: MOTOR AND CONTROLLER**

1	2	12V40AH	#N/A	44AH 12V BATTERY
2	2	L42500100000	C25-005-00100	RUBBER PAD, BATTERY
3	2	L43100100000	C31-005-00100	VELCRO STRIP, BATTERY
4	3	900504010	#N/A	CR ROUND HEAD SCREW
5	3	921104000	#N/A	M4 SPRING WASHER
6	1	M40910307700	C09-001-10300	ELECTROMAGNETIC BRAKE
7	4	902108020	#N/A	HEX BOLT, ALLAN KEY
8	4	921105016	#N/A	SPRING WASHER
9	1	L40900100000	C09-005-00100	M48 MOTOR
10	1	L40900200000	C09-005-00200	M48 TRANSAXLE
11	1	902408095	#N/A	U TYPE BOLT, MOTOR
12	1	M40910409200	C09-001-10400	ARCH TYPE PLATE, MOTOR
13	1	93580808	#N/A	LOCKING SCREW, LEVER
14	1	M40910309201	C09-001-10600	FREEWHEEL LEVER
15	3	M40910509200	C09-001-10500	U TYPE PLATE, MOTOR
16	4	M40590206000	C05-001-90200	RUBBER DAMPER PAD, MOTOR
17	2	902108050	#N/A	HEX BOLT, ALLAN KEY
18	4	920108000	#N/A	LOCKING NUT, MOTOR
19	2	900505020	#N/A	CR ROUND HEAD SCREW
20	1	L41000100000	C10-005-00100	CURTIS PMC1228-2701 CONTROLLER
21	1	M41000100000	C10-001-00100	HOLDER BRACKET, CONTROLLER
22	2	900208020	#N/A	HEX BOLT, CONTROLLER HOLDER
23	1	* ASK MEDICARE	#N/A	50A CIRCUIT BREAKER
24	2	9201105000	#N/A	NUT
25	2	920108000	#N/A	NUT, CONTROLLER HOLDER
26	2	921105016	#N/A	SPRING WASHER, CONTROLLER HOLDER
27	2	921408000	#N/A	WASHER, CONTROLLER HOLDER

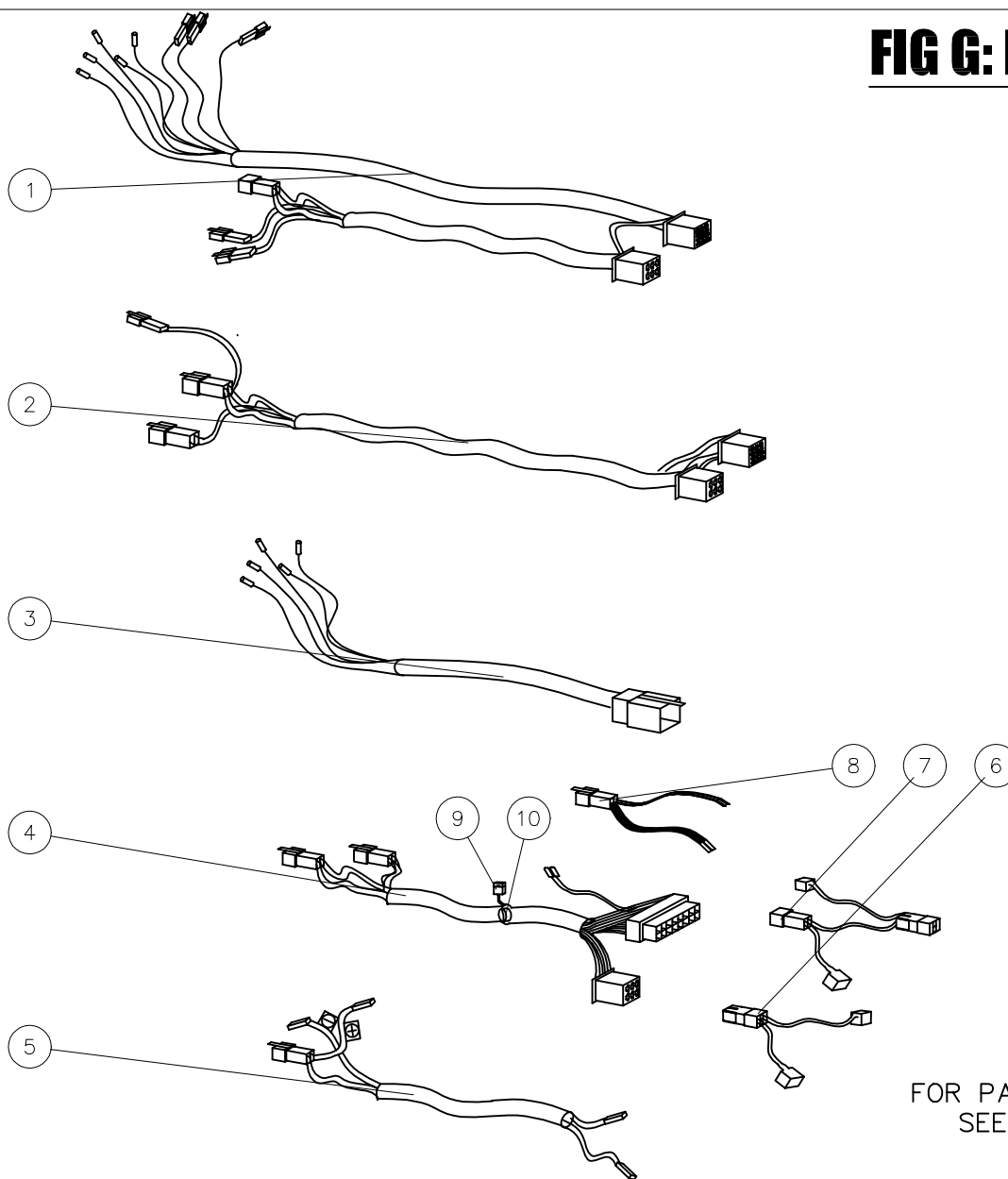


# FIG: REAR WHEEL AND TYRE ASSEMBLY

FOR PART CODES,  
SEE SEPERATE  
LISTING



# FIG G: LOOMS



FOR PART CODES,  
SEE SEPERATE  
LISTING



TITLE:  
PARTS MANUAL  
M48 4-WHEEL  
MERCURY SCOOTER

DATE: 23/05/02

SHEET No: 5 OF 8

DRAWN: PMK

CHECKED:

REVISION No: -

SCALE: NTS

DWG No: M48

**Medicare Technology Ltd,**  
 Ainley's Industrial Estate, Elland, HX5 9JP.  
 T: +44 (0) 1422 314488 F: +44 (0) 1422 314489  
 E: enquiries@medicaretechnology.com  
 W: www.medicaretechnology.com/technical

**MERCURY M48**  
 CURTIS CONTROLLER VERSION  
**SPARE PARTS LISTING**

FIG	QTY	OLD PART CODE	PART CODE	DESCRIPTION
-----	-----	---------------	-----------	-------------

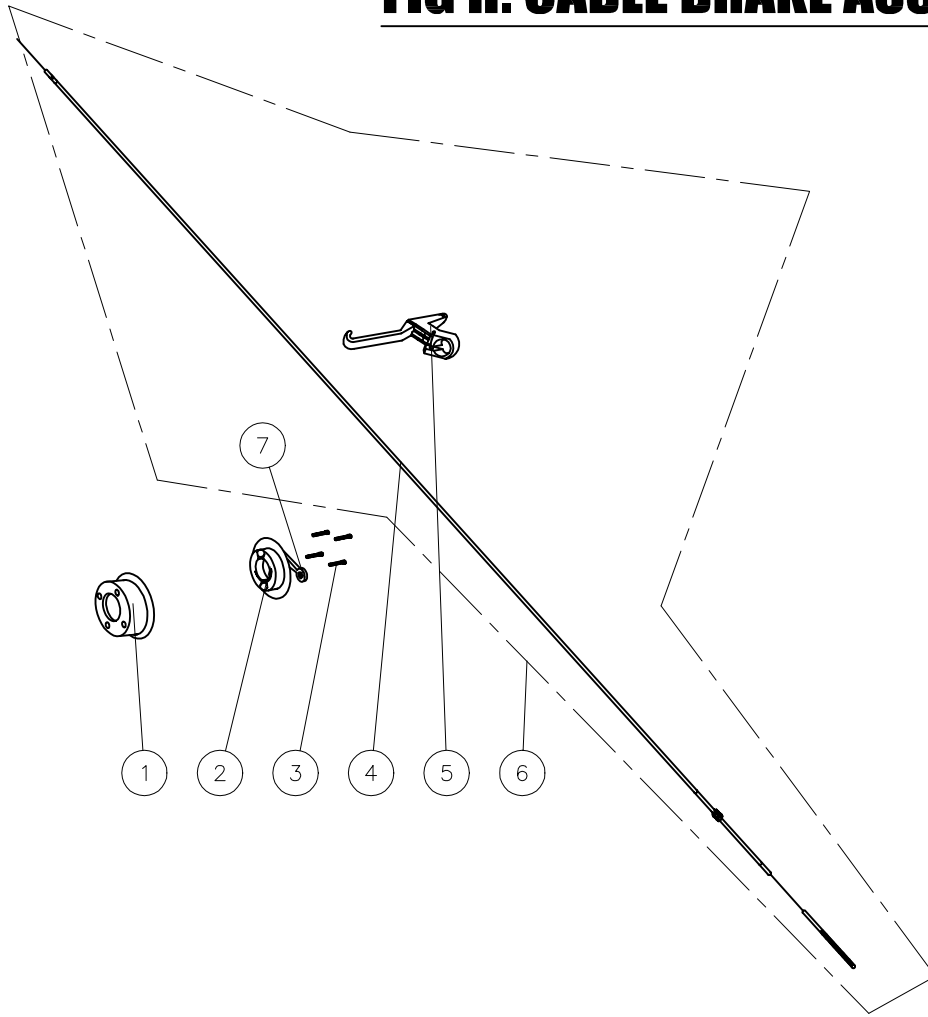
**FIG F: REAR WHEEL ASSEMBLY**

1	1	900208025	#N/A	HEX FLANGE BOLT, WHEEL CENTRE
2	1	921408000	#N/A	PLAIN WASHER
3	4	900208020	#N/A	HEX FLANGE BOLT
4	1	935705020	#N/A	DOUBLE ROUND END PIN, REAR WHEEL
5	1	L40500300000	C05-005-00300	OUTER WHEEL RIM
6	1	L40500105000	C05-005-01400	TYRE, GREY 400X5 HEX BLOCK
7	1	L40500400000	C05-005-00400	INNER WHEEL RIM
8	1	M40610200000	C06-001-10200	AXLE COLLAR, REAR WHEEL
9	5	921105016	#N/A	SPRING WASHER
10	5	900208025	#N/A	NUT
11	1	L40500200000	C05-005-00200	INNER TUBE (NOT SHOWN)

**FIG G: LOOMS**

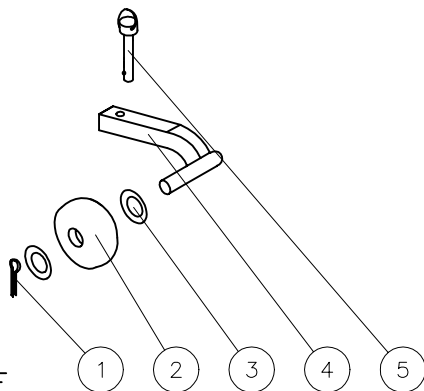
1	1	L41810106000	#N/A	WIRE HARNESS, FRONT SECTION
2	1	M41800100000	C18-001-00100	WIRE HARNESS, MID FRAME
3	1	L41810206000	#N/A	WIRE HARNESS, REAR SECTION
4	1	M41800100000	C18-001-00100	CABLE UNIT, REAR SHROUD
5	1	M41810507000	C18-001-10500	MOTOR POWER CABLE
6	1	M41810305000	C18-001-10300	BATTERY CABLE (+)
7	1	M41810306000	C18-001-10400	BATTERY CABLE (-)
8	1	M41810201000	C18-001-10200	CONTROLLER WIRE, TO CUT OUT
9	1	M41200100000	C12-001-00100	10A FUSE
10	1	M41210806000	C12-001-10800	BUZZER

# FIG H: CABLE BRAKE ASSEMBLY



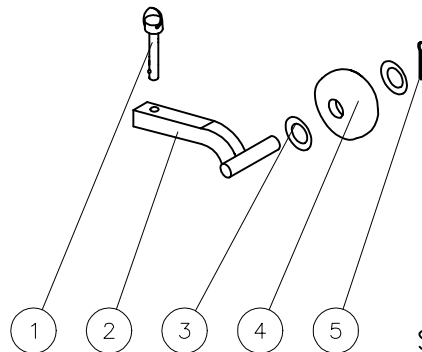
FOR PART CODES,  
SEE SEPERATE  
LISTING

## FIG I: LHS ANTI-TIP WHEEL



FOR  
PART  
CODES,  
SEE  
SEPERATE  
LISTING

## FIG J: RHS ANTI-TIP WHEEL



FOR  
PART  
CODES,  
SEE  
SEPERATE  
LISTING



TITLE:

PARTS MANUAL  
M48 4-WHEEL  
MERCURY SCOOTER

DATE: 23/05/02

SHEET No: 6 OF 8

DRAWN: PMK

CHECKED:

REVISION No: -

SCALE: NTS

DWG No: M48

**Medicare Technology Ltd,**  
 Ainley's Industrial Estate, Elland, HX5 9JP.  
 T: +44 (0) 1422 314488 F: +44 (0) 1422 314489  
 E: enquiries@medicaretechnology.com  
 W: www.medicaretechnology.com/technical

**MERCURY M48**  
 CURTIS CONTROLLER VERSION  
**SPARE PARTS LISTING**

FIG	QTY	OLD PART CODE	PART CODE	DESCRIPTION
-----	-----	---------------	-----------	-------------

**FIG H: CABLE BRAKE ASSEMBLY**

1	1	L40600200000	C06-005-00200	REAR BRAKE HUB
2	1	L43500300000	C35-005-00300	BRAKE SHOE
3	4	900206010	#N/A	HEX BOLT
4	1	L43500100000	C35-005-00100	BRAKE CABLE
5	1	L43500200000	C35-005-00200	BRAKE LEVER
6	1	L40600100000	C06-005-00100	BRAKE ASSEMBLY COMPLETE
7	1	L40600300000	C06-005-00300	COVER, REAR BRAKE

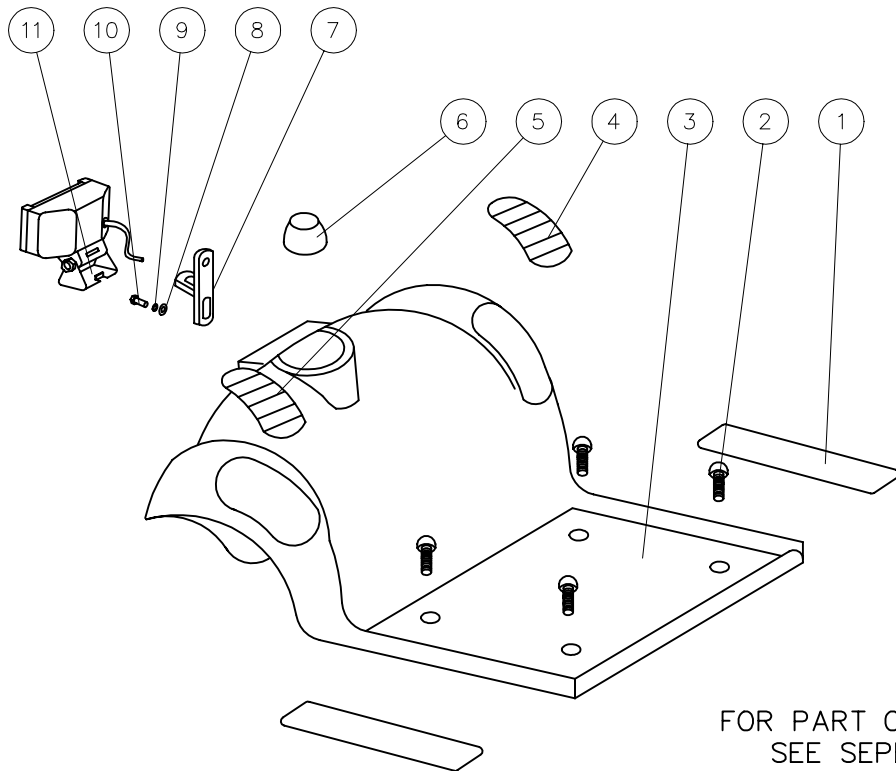
**FIG I: LHS ANTI-TIP WHEEL**

1	1	935201025	#N/A	PIN
2	1	L42810206000	C28-005-00100	ANTI-TIP WHEEL
3	2	921408000	#N/A	PLAIN WASHER
4	1	L40400400000	C04-005-00400	LHS ANTI-TIP ARM
5	1	M40110509100	C01-001-10500	PIN, ANTI-TIP ARM

**FIG J: RHS ANTI-TIP WHEEL**

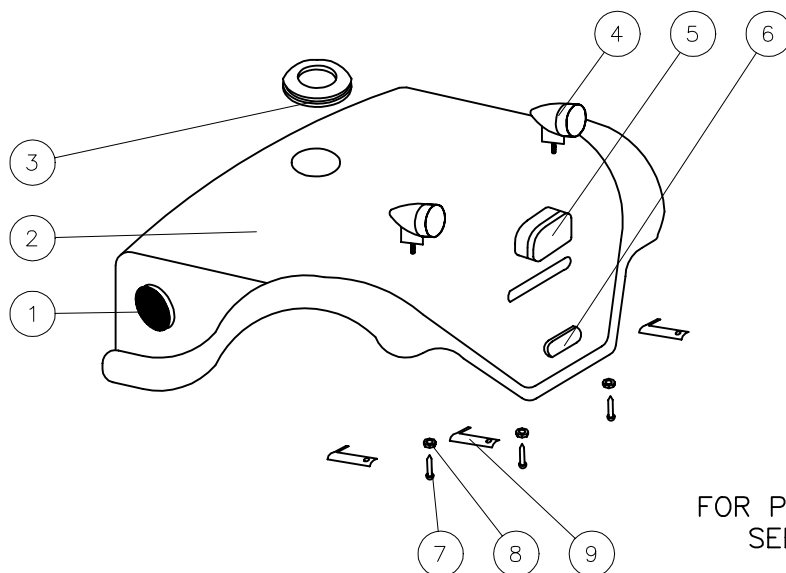
1	1	M40110509100	C01-001-10500	PIN, ANTI-TIP ARM
2	1	L40400300000	C04-005-00300	RHS ANTI-TIP ARM
3	2	921408000	#N/A	PLAIN WASHER
4	1	L42810206000	C28-005-00100	ANTI-TIP WHEEL
5	1	935201025	#N/A	PIN

## FIG K: FRONT SHROUD ASSEMBLY



FOR PART CODES,  
SEE SEPERATE  
LISTING

## FIG L: REAR SHROUD ASSEMBLY



FOR PART CODES,  
SEE SEPERATE  
LISTING



TITLE:

PARTS MANUAL  
M48 4-WHEEL  
MERCURY SCOOTER

DATE:

23/05/02

SHEET No:

6 OF 7

DRAWN:

PMK

CHECKED:

REVISION No:

—

SCALE:

NTS

DWG No:

M48

Medicare Technology Ltd,  
 Ainley's Industrial Estate, Elland, HX5 9JP.  
 T: +44 (0) 1422 314488 F: +44 (0) 1422 314489  
 E: enquiries@medicaretechnology.com  
 W: www.medicaretechnology.com/technical

**MERCURY M48**  
 CURTIS CONTROLLER VERSION  
**SPARE PARTS LISTING**

FIG	QTY	OLD PART CODE	PART CODE	DESCRIPTION
-----	-----	---------------	-----------	-------------

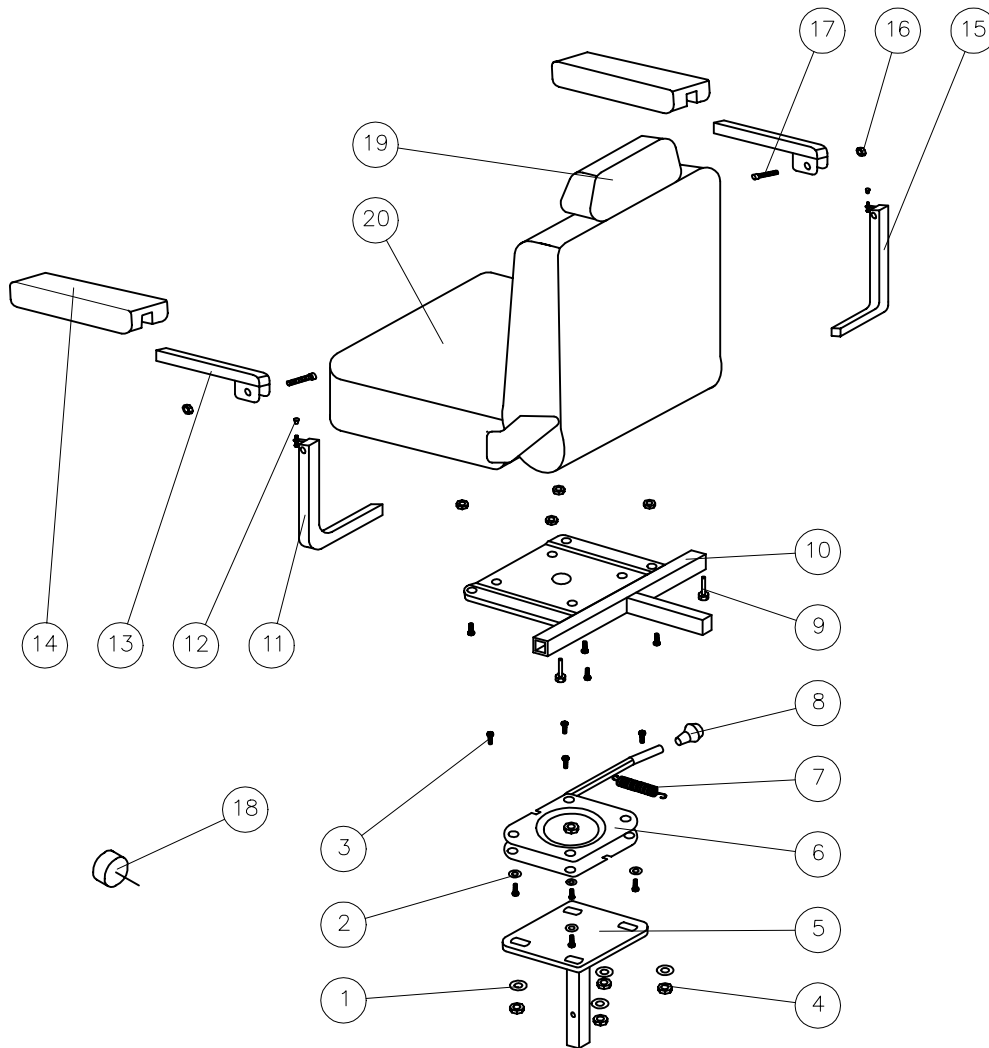
**FIG K: FRONT SHROUD ASSEMBLY**

1	2	M42500100000	C25-001-00100	SCUFF PROTECTOR
2	6	900506020	#N/A	CR ROUND HEAD SCREW
		L40800101100	C08-005-00111	M48 FRONT SHROUD (RED)
		L40800105100	C08-005-00151	M48 FRONT SHROUD (BLUE)
3	1	L40800106100	C08-005-00161	M48 FRONT SHROUD (BLACK)
		L40800107100	C08-005-00171	M48 FRONT SHROUD (CHAMPAGNE)
		L40800107200	C08-005-00172	M48 FRONT SHROUD (SILVER)
4	1	L42600200000	C26-005-00200	M48 RUBBER FOOTREST PAD RHS
5	1	L42600300000	C26-005-00300	M48 RUBBER FOOTREST PAD LHS
6	1	M42590106000	C25-001-90100	RUBBER COVER, FRONT TILLER
7	1	M41300100000	C13-001-00100	HEADLAMP HOLDER
8	1	921408000	#N/A	PLAIN WASHER
9	1	921105016	#N/A	SPRING WASHER
10	1	900208020	#N/A	HEX SCREW
11	1	M41310106000	C13-001-10100	HEADLAMP UNIT

**FIG L: REAR SHROUD ASSEMBLY**

			C07-003-05000	
			C07-003-05000	
1	2	M42410201000	C24-001-10200	SIDE REFLECTOR
		L40800201100	C08-005-00211	M48 REAR SHROUD (RED)
		L40800205100	C08-005-00251	M48 REAR SHROUD (BLUE)
2	1	L40800206100	C08-005-00261	M48 REAR SHROUD (BLACK)
		L40800207100	C08-005-00271	M48 REAR SHROUD (CHAMPAGNE)
		L40800207200	C08-005-00272	M48 REAR SHROUD (SILVER)
3	1	M42590106001	C25-001-90200	RUBBER COVER, REAR SHROUD
4	2	M41610108000	C16-001-10100	REAR INDICATOR LAMP
5	1	M41710108000	C17-001-10100	REAR LAMP
6	1	M42410201000	C24-001-10200	REAR REFLECTOR
7	3	M40800500000	C08-001-00500	WIRE CLIP
8	1	920105000	#N/A	LOCKING NUT
9	1	900505020	#N/A	ROUND HEAD SCREW

# FIG M: STANDARD SEAT ASSEMBLY



FOR PART CODES,  
SEE SEPERATE  
LISTING



TITLE:  
PARTS MANUAL  
M48 4-WHEEL  
MERCURY SCOOTER

DATE: 23/05/02  
DRAWN: PMK  
SCALE: NTS

SHEET No: 8 OF 8  
REVISION No: -  
DWG No: M48

**Medicare Technology Ltd,**  
 Ainley's Industrial Estate, Elland, HX5 9JP.  
 T: +44 (0) 1422 314488 F: +44 (0) 1422 314489  
 E: enquiries@medicaretechnology.com  
 W: www.medicaretechnology.com/technical

**MERCURY M48**  
 CURTIS CONTROLLER VERSION  
**SPARE PARTS LISTING**

FIG	QTY	OLD PART CODE	PART CODE	DESCRIPTION
-----	-----	---------------	-----------	-------------

**FIGURE M: SEAT ASSEMBLY**

1	12	921405160	#N/A	PLAIN WASHER
2	12	921105016	#N/A	SPRING WASHER
3	14	900208025	#N/A	HEXAGON FLANGE BOLT
4	12	920108000	#N/A	NYLOC NUT
5	1	M40710906000	#N/A	SEAT POST
6	1	M40710809200	#N/A	SEAT ROTATER
7	1	M40730006000	#N/A	SEAT ROTATER SPRING
8	1	M40700300000	C07-001-00300	ROTATER BAR KNOB
9	2	M43000100000	C30-001-00100	LOCK BOLT, BUMPER
10	1	M40711006000	#N/A	SEAT HOLDER PLATE
11	1	M40710306000	#N/A	L-TYPE HOLDER, LHS ARM REST
12	2	M43710206000	C37-001-10200	BOLT RUBBER COVER
13	2	M40720006000	#N/A	ARM REST FRAME
14	2	M40710606000	C07-001-10600	ARM REST PU PAD
15	1	M40710406000	#N/A	L-TYPE HOLDER, RHS ARM REST
16	2	920106020	#N/A	ANTI-SLIP NUT
17	2	902116035	#N/A	HEXAGON BOLT
18	1	M43010206000	C30-001-10200	SEAT POST SECUREMENT KNOB
19	1	M40700200000	C07-001-00200	HEAD REST
20	1	L40700100000	C07-005-00100	SEAT UNIT