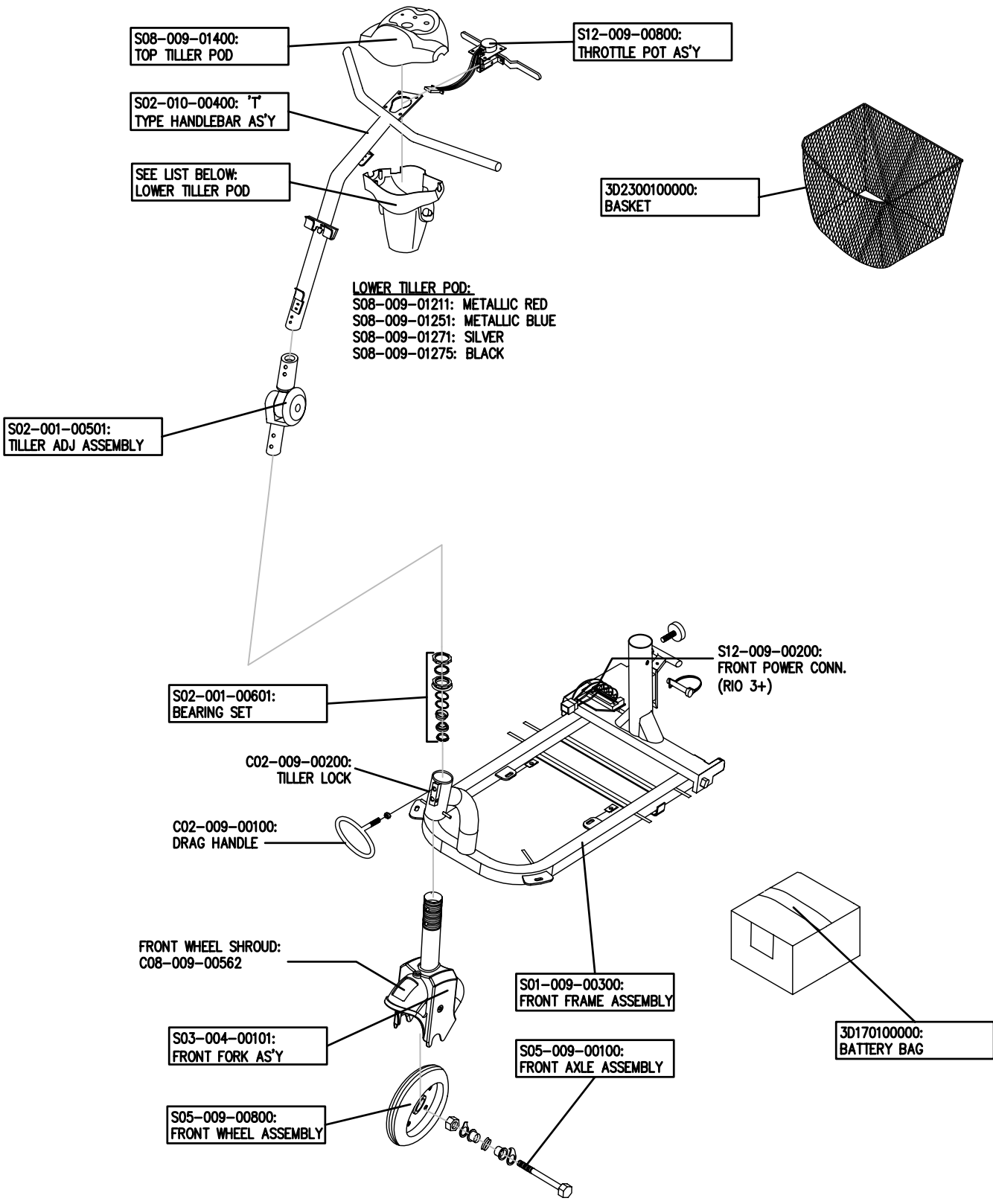


SEPERATE COMPONENTS AVAILABLE (FROM TILLER POD):

- M1100300000: SPEED POT
- M41610202000: HORN BUTTON
- M41100200000: BATTERY INDICATOR (RIO 3 & 4)
- C11-023-00300: BATTERY INDICATOR (RIO 3+ & 4+)
- M42010106000: HANDGRIP (FOAM)
- 3B2000200000: HANDGRIP (RUBBER)

RIO 4-WHEEL
FRONT SECTION

<p>Ainley's Industrial Estate, Elland HX5 9JP T: +44 (0) 1422 314488 E: enquiries@medicaretechnology.com W: www.medicaretechnology.com/technical</p>	<p>TITLE:</p> <p style="text-align: center;">Rio</p> <p style="text-align: center;">RIO SCOOTERS PARTS CATALOGUE</p>	DATE: 16/07/07	SHEET No: 1 of 4	
		DRAWN: PMK	CHECKED:	REVISION No: -
		SCALE: NTS	DWG No: Z40951	



SEPERATE COMPONENTS AVAILABLE (FROM TILLER POD):

- M1100300000: SPEED POT
- M41610202000: HORN BUTTON
- M41100200000: BATTERY INDICATOR (RIO 3 & 4)
- C11-023-00300: BATTERY INDICATOR (RIO 3+ & 4+)
- M42010106000: HANDGRIP (FOAM)
- 3B2000200000: HANDGRIP (RUBBER)

RIO 3-WHEEL
FRONT SECTION

medicaretechnology
LIMITED

Ainley's Industrial Estate, Elland HX5 9JP
T: +44 (0) 1422 314488
E: enquiries@medicaretechnology.com
W: www.medicaretechnology.com/technical

TITLE:

Rio
RIO SCOOTERS
PARTS CATALOGUE

DATE: 16/07/07

SHEET No: 2 OF 4

DRAWN: PMK

CHECKED:

REVISION No: -

SCALE: NTS

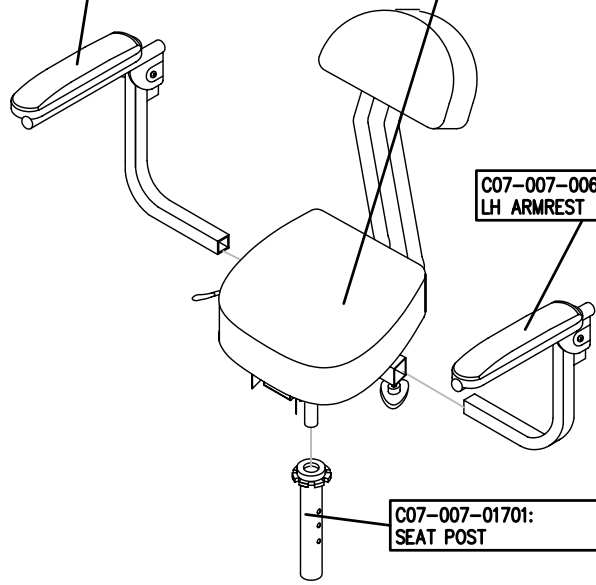
DWG No: Z40951

C07-007-00901:
RH ARMREST

3D0700900000:
SEAT ASSEMBLY

C07-007-00601:
LH ARMREST

C07-007-01701:
SEAT POST



MOTOR / BRAKE:
SEE LIST ON RIGHT

TRANSAXLE:
SEE LIST ON RIGHT

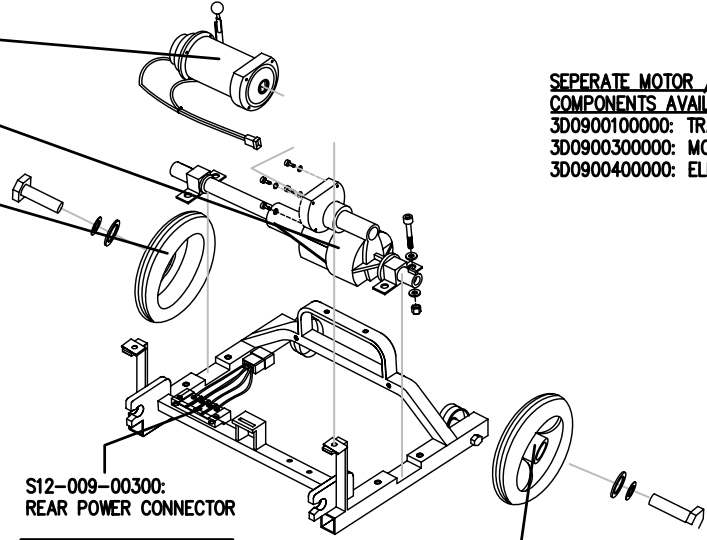
C06-009-00100:
REAR WHEEL ASSEMBLY

S12-009-00300:
REAR POWER CONNECTOR

S01-010-00400:
REAR FRAME ASSEMBLY

C06-009-00100:
REAR WHEEL ASSEMBLY

SEPERATE MOTOR / TRANSAXLE
COMPONENTS AVAILABLE:
3D0900100000: TRANSAXLE
3D0900300000: MOTOR
3D0900400000: ELECTROMAGNETIC BRAKE



RIO 3-WHEEL
& 4-WHEEL REAR
SECTION & SEAT

medicaretechnology
LIMITED

Ainley's Industrial Estate, Elland HX5 9JP
T: +44 (0) 1422 314488
E: enquiries@medicaretechnology.com
W: www.medicaretechnology.com/technical

TITLE:
Rio
RIO SCOOTERS
PARTS CATALOGUE

DATE: 16/07/07

SHEET No: 3 OF 4

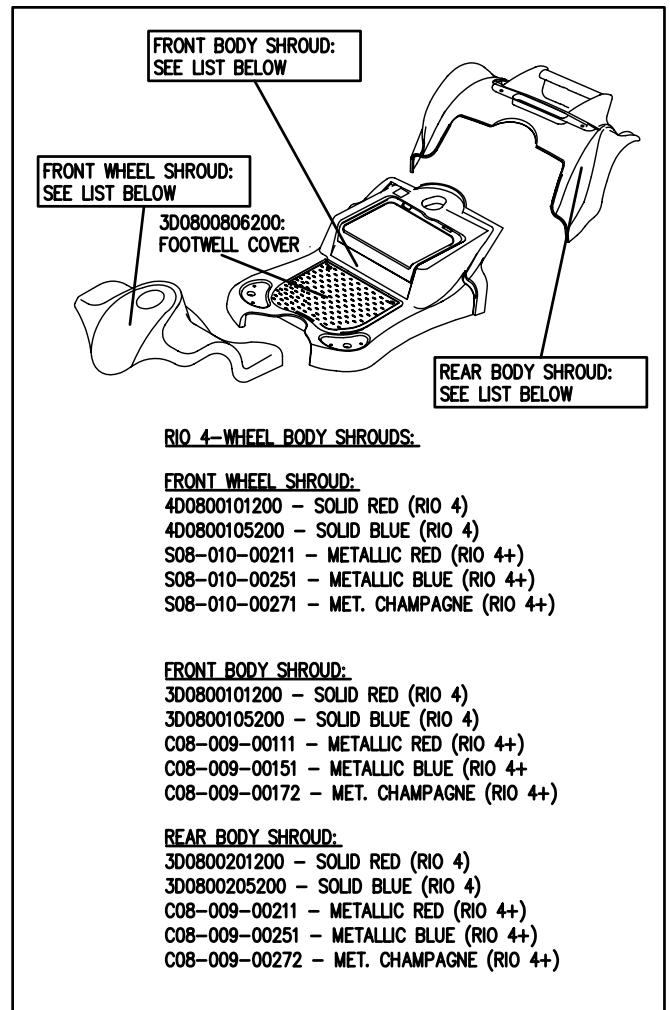
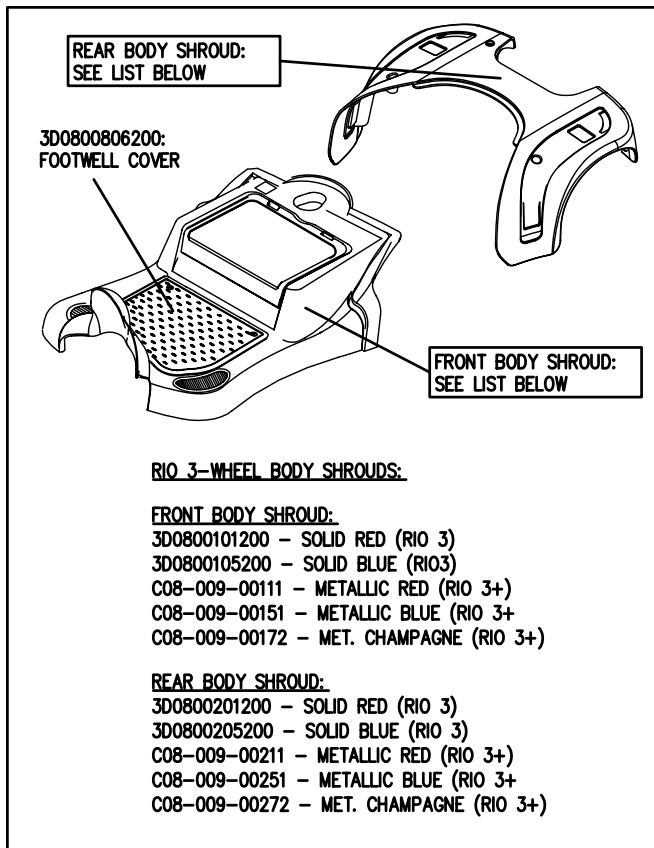
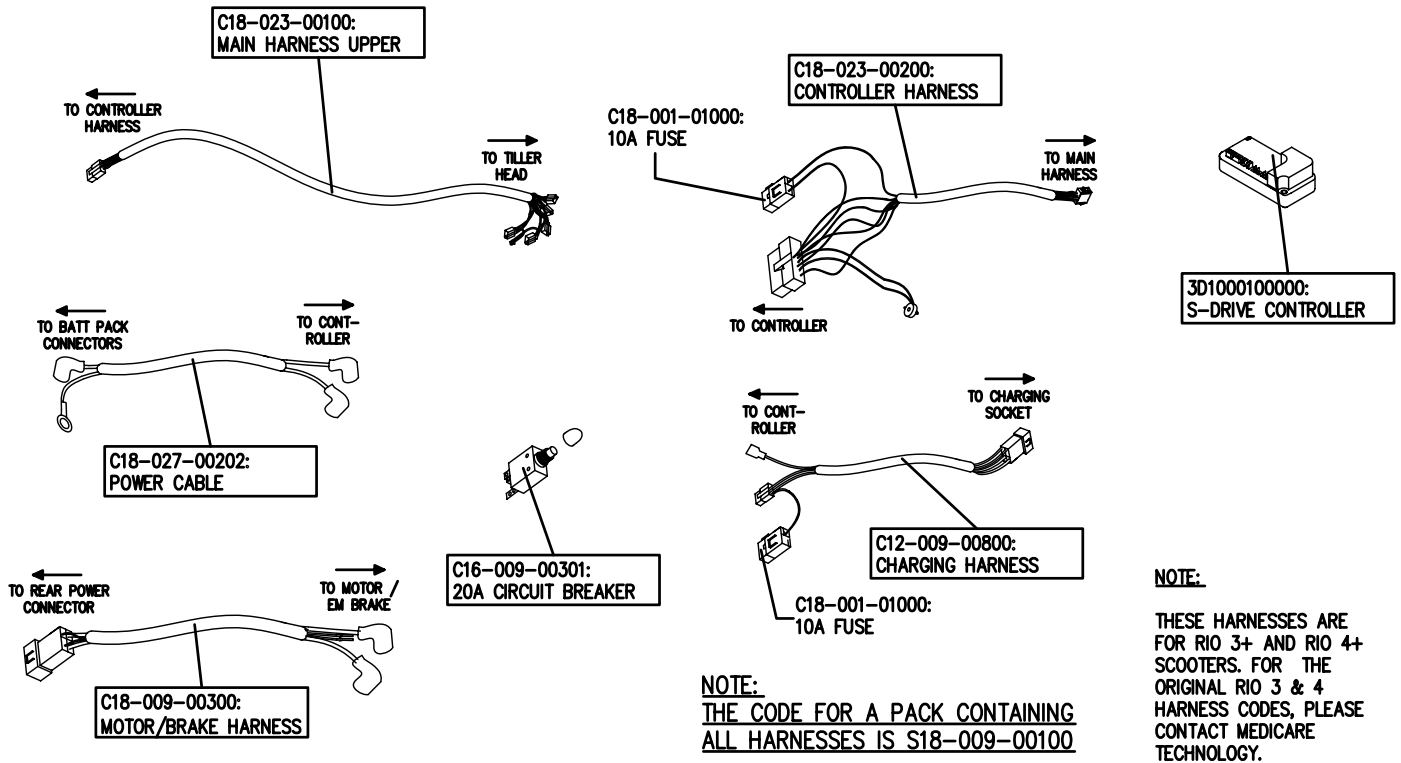
DRAWN: PMK

CHECKED:

REVISION No: -

SCALE: NTS

DWG No: Z40951



**RIO 3-WHEEL & 4-WHEEL
WIRE HARNESSES AND
OUTER SHROUDS**

medicaretechnology
LIMITED

Ainley's Industrial Estate, Elland HX5 9JP
T: +44 (0) 1422 314488
E: enquiries@medicaretechnology.com
W: www.medicaretechnology.com/technical

TITLE:

Rio
RIO SCOOTERS
PARTS CATALOGUE

DATE: 16/07/07

SHEET No: 4 OF 4

DRAWN: PMK

CHECKED:

REVISION No: -

SCALE: NTS

DWG No: Z40951