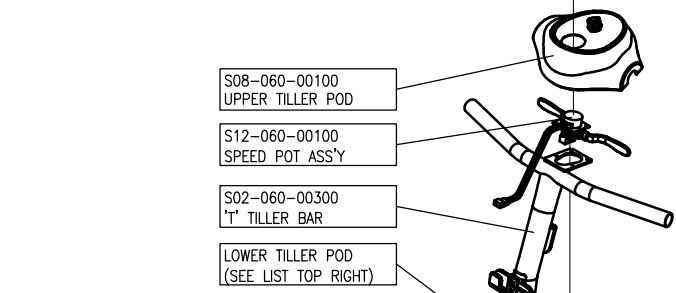
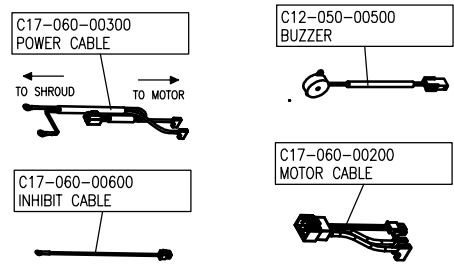
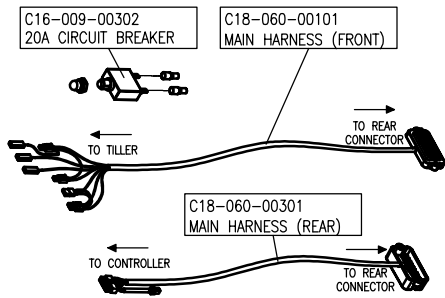
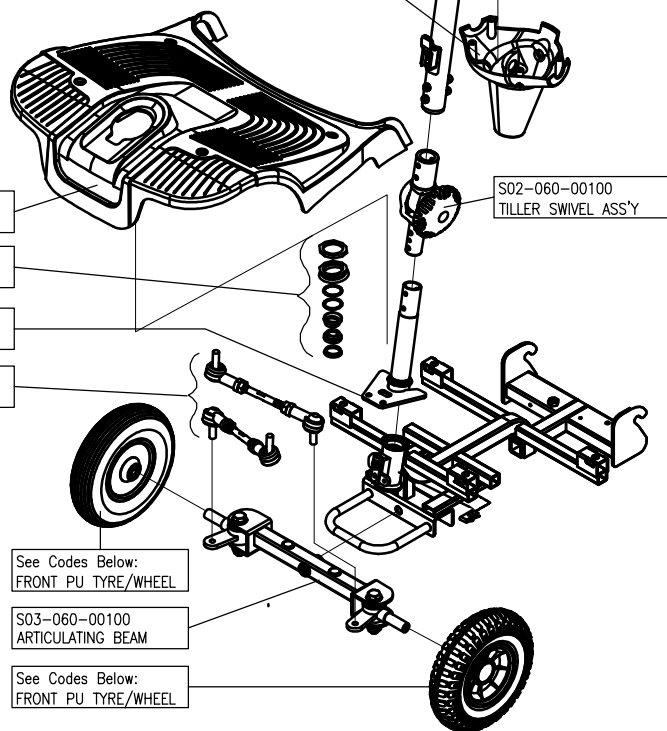


REV No.	DETAILS	DATE	DRAWN
A	CODES FOR MS023 ADDED	15-05-13	PMK



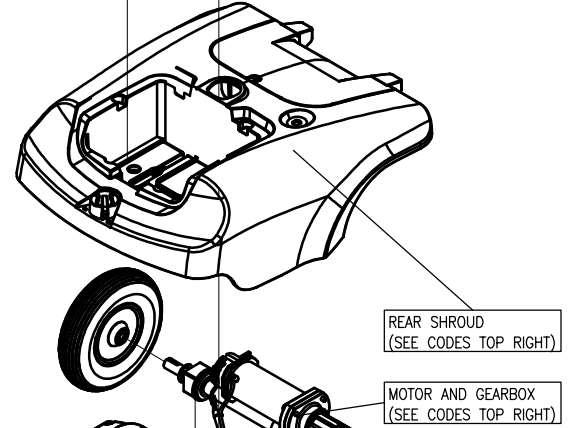
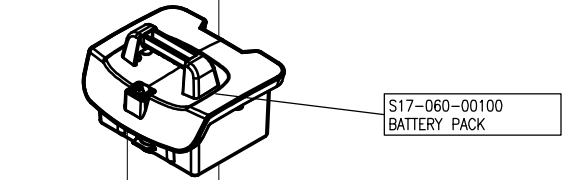
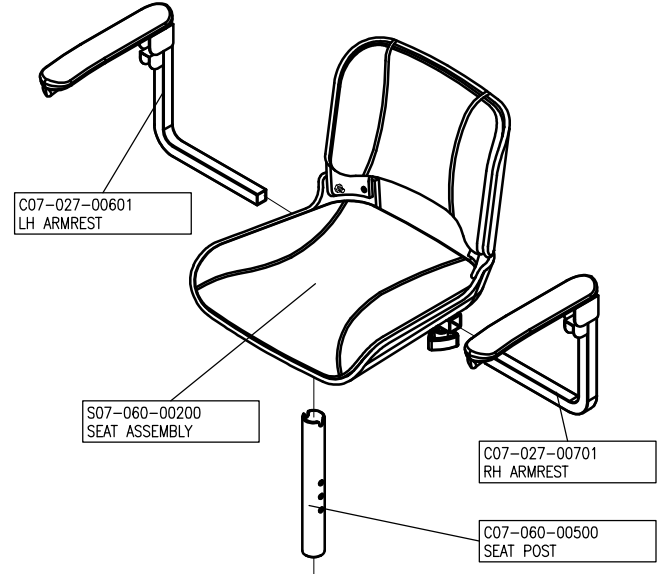
- See Codes Below:
FRONT SHROUD ASS'Y
- S02-060-00200
BEARING SET
- S03-060-00200
'L' STTERING BRACKET
- S03-060-00200
STEERING RODS



- See Codes Below:
FRONT PU TYRE/WHEEL
- S03-060-00100
ARTICULATING BEAM
- See Codes Below:
FRONT PU TYRE/WHEEL

- COLOURED CODED PARTS:
- S08-060-00618 (LOWER TILLER POD - RED)
 - S08-060-00654 (LOWER TILLER POD - BLUE)
 - S08-060-00418 (REAR SHROUD - RED)
 - S08-060-00454 (REAR SHROUD - BLUE)

- MOTOR AND GEARBOX PARTS:
- C09-050-00100 (TRANSAXLE)
 - C09-009-00302 (MOTOR)
 - C09-060-00200 (ELECTROMAGNETIC BRAKE)



- C10-060-00100
CURTIS 45A CONTROLLER
- S01-060-00100
REAR FRAME

- CODES FOR FRONT SHROUDS:
- S08-060-00300: FOR 3-WHEEL (MS023)
 - S08-060-00500: FOR 4-WHEEL (MS024)

- CODES FOR FRONT WHEELS:
- C05-060-00100: FOR 3-WHEEL (MS023)
 - C05-060-00200: FOR 4-WHEEL (MS024)

- CODES FOR ANTI-TIP WHEELS
- S05-060-00300:
3-WHEEL FRONT ANTI TIP WHEELS(MS023)