

S12-009-00800 THROTTLE ASSEMBLY

S08-009-01400 TOP POD ASSEMBLY

LOWER POD ASSEMBLY (see list below)

C02-009-00403 'T' TYPE TILLER BAR

S02-001-00500 TILLER ADJ MECHANISM

FOOTWELL SHROUD AS'Y (see list below)

S01-040-00200: NEO-4 FRONT SHROUD AS'Y

S03-003-00200 TRACKING RODS

S02-001-00700 BEARING ASSEMBLY

S03-003-00101 STEERING ASS'Y

COLOUR-CODED PARTS:

POD LOWER ASSEMBLY:

- S08-009-01211 (RED)
- S08-009-01218 (SPIRIT RED)
- S08-009-01251 (BLUE)
- S08-009-01271 (SILVER)

FOOTWELL SHROUD ASS'Y:

- S08-040-00111 (RED)
- S08-040-00118 (SPIRIT RED)
- S08-040-00154 (BLUE)
- S08-040-00171 (SILVER)

BATTERY SHROUD ASS'Y:

- S08-040-00211 (RED)
- S08-040-00211 (SPIRIT RED)
- S08-040-00254 (BLUE)
- S08-040-00271 (SILVER)

SEPERATE COMPONENTS AVAILABLE:

FROM THE TILLER POD:

- S12-009-00800 - THROTTLE POT
- M41100300000 - BATTERY GAUGE
- 3D37011000000 - KEYS
- M41610104000 - LIGHTS SWITCH
- M41610202000 - HORN BUTTON
- 3D18005000000 - IGNITION

FROM THE FRONT SHROUD AS'Y:

- S01-040-00200 - BUMPER
- code required - HEADLAMP

C21-040-00100: CARPET

C12-040-00102: LEVER ONLY

C07-023-00100 SEAT POST

code required: NEO-4 REAR SHROUD AS'Y

BATTERY SHROUD AS'Y (see list below)

SEE LIST BELOW: MOTOR / EM BRAKE

C09-007-00300 TRANSAXLE ASS'Y

C16-009-00101 30A CIRCUIT BREAKER

SEE LIST BELOW: REAR WHEEL ASS'Y

C10.001.00800: CTE CONTROLLER

12V34AH BATTERY

C25-003-00500 RUBBER PAD

C30-005-00100 SEAT POST KNOB

C31-032-00100 VELCRO STRIP

REAR WHEELS

S06-023-00100: ALLOY / PNEU GREY TYRE

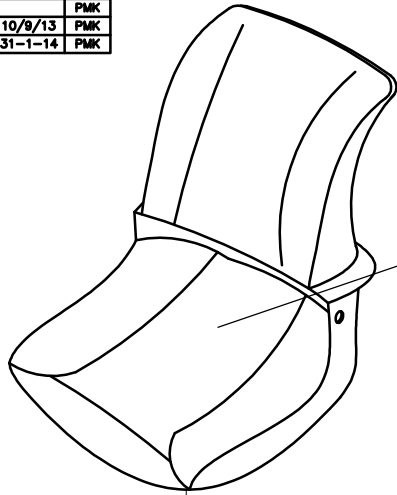
C06-053-00300: PLASTIC / BLACK SOLID TYRE

FRONT WHEELS:

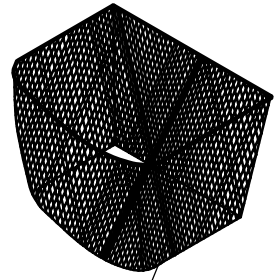
S05-023-00100: ALLOY / PNEU GREY TYRE

C05-053-00200: PLASTIC / BLACK SOLID TYRE

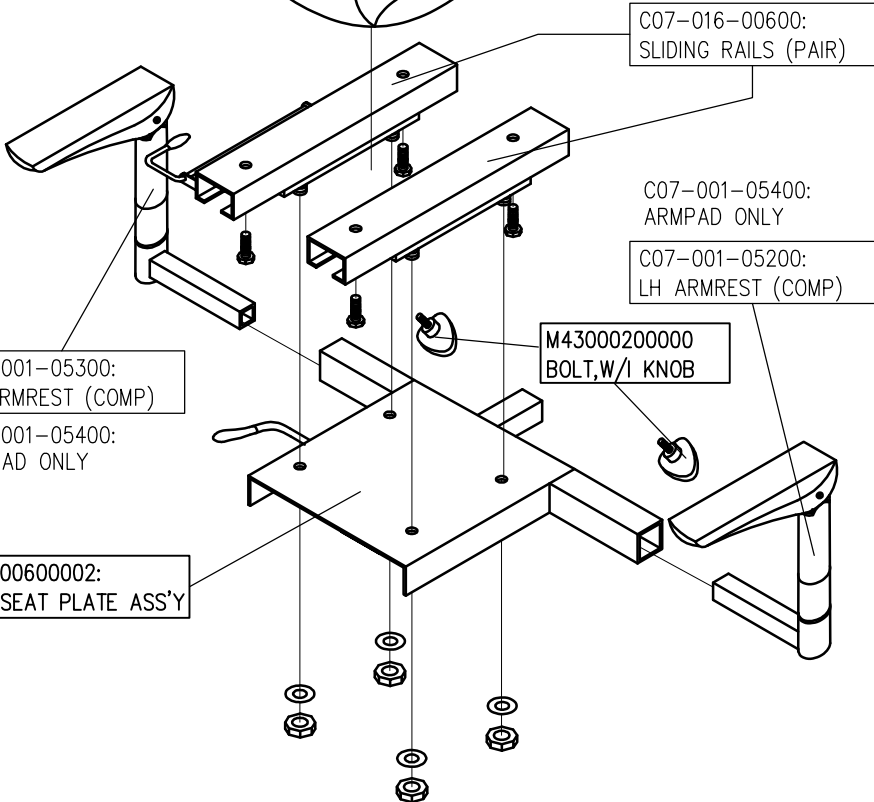
REV No.	DETAILS	DATE	DRAWN
A	BY ISSUE CODE CHANGED	20-05-13	PMK
B	REF PART NAME		PMK
C	CHANGING CODE FIELD	10/9/13	PMK
D	ISSUE CODE	31-1-14	PMK



SEATM07:
SEAT ASSEMBLY



C23-009-00200:
FRONT BASKET



C07-016-00600:
SLIDING RAILS (PAIR)

C07-001-05400:
ARMPAD ONLY

C07-001-05200:
LH ARMREST (COMP)

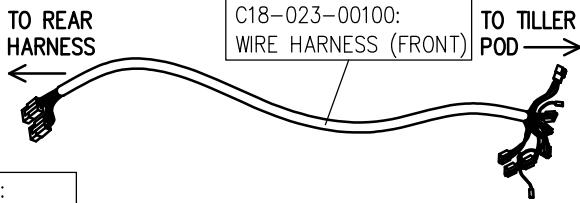
C07-001-05300:
RH ARMREST (COMP)

C07-001-05400:
ARMPAD ONLY

L40700600002:
STD SEAT PLATE ASS'Y

M43000200000
BOLT, W/I KNOB

C12-001-02000
CHARGER



C18-023-00100:
WIRE HARNESS (FRONT)

TO REAR HARNESS

TO TILLER POD

C12-009-00800:
CHARGER SOCKET LEAD

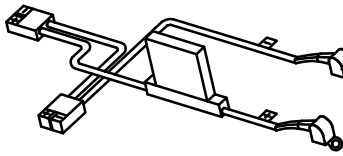
C18-005-00500:
BATTERY -> CTRLR

C16-023-00100:
LEAD TO FRONT LIGHT

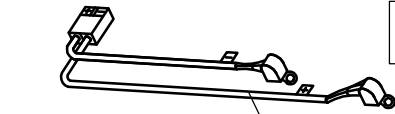
C16-009-00100
30A CIRCUIT BREAKER

C18-023-00200:
WIRE HARNESS (REAR)

C18-007-00900:
EM BRAKE LEAD



C17-029-00200:
BATTERY LEAD (+)



C17-029-00100:
BATTERY LEAD (-)



Ainley's Industrial Estate, Elland HX5 9JP
T: +44 (0) 1422 314488
E: enquiries@drivemedical.co.uk
W: www.drivemedical.co.uk/technical

TITLE:



NEO 4 SCOOTER (MS040)
PARTS CATALOGUE

DATE: 11/06/07

SHEET No: 2 OF 2

DRAWN: PMK

CHECKED:

REVISION No: D

SCALE: NTS

DWG No: Z40945