

COLOUR-CODED PARTS:

POD LOWER ASSEMBLY:
 S08-009-01211 (RED)
 S08-009-01254 (BLUE)
 S08-009-01271 (SILVER)

FOOTWELL SHROUD ASS'Y:
 S08-040-00111 (RED)
 S08-040-00154 (BLUE)
 S08-040-00171 (SILVER)

BATTERY SHROUD ASS'Y:
 S08-040-00211 (RED)
 S08-040-00254 (BLUE)
 S08-040-00271 (SILVER)

S05-023-00100
 FRONT WHEEL ASS'Y

SEPERATE COMPONENTS AVAILABLE:

FROM THE FOOTWELL SHROUD ASS'Y
 C26-040-00200: RH RUBBER FOOT MAT
 C26-040-00100: LH RUBBER FOOT MAT

FROM THE DRIVE ASSEMBLY:
 C09-005-00100: 450W MOTOR
 C09-026-00500: TRANSAXLE
 C09-040-00801: EM BRAKE (C/W MICROSWITCH)
 L40900600020: CARBON BRUSH
 L40901300020: CARBON BRUSH CAP

FROM THE FRAME:
 C28-027-00100 - ANTI-TIP WHEEL

FROM THE TILLER POD:
 S12-009-00800 - THROTTLE POT
 M41100300000 - BATTERY GAUGE
 3D3701100000 - KEYS
 M41610104000 - LIGHTS SWITCH
 M41610202000 - HORN BUTTON
 3D1800500000 - IGNITION
 C16-005-00300 - INDICATOR SWITCH

FROM THE FRONT SHROUD ASS'Y:
 C01-040-00200: BUMPER
 C13-040-00200: HEADLAMP
 C15-040-00200: INDICATOR LAMP

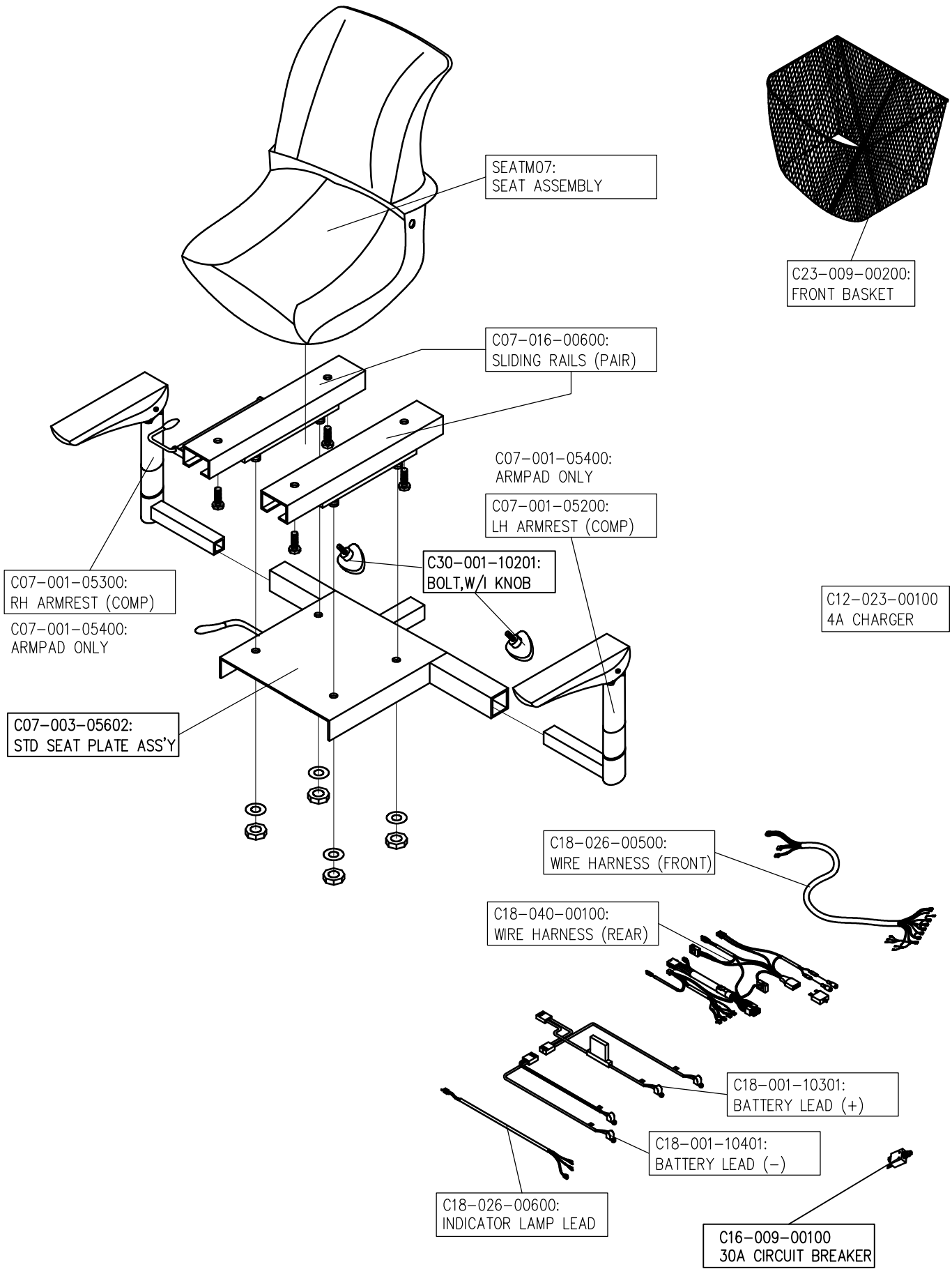
FROM THE REAR SHROUD ASS'Y:
 C16-029-00100: LH REAR LAMP
 C16-029-00200: RH REAR LAMP

drive
 MEDICAL DESIGN & MANUFACTURING
 Ainley's Industrial Estate, Elland HX5 9JP
 T: +44 (0) 1422 314488
 E: enquiries@drivemedical.co.uk
 www.drivemedical.co.uk/technical

TITLE: **NEO 6 SCOOTER (MS041)**
PARTS CATALOGUE

DATE: 30/10/07
 DRAWN: PMK
 SCALE: NTS

SHEET No: 1 of 2
 REVISION No: -
 DWG No: Z40942



REV No.	DETAILS	DATE	DRAWN
A	REVISED PART NUMBER	13-8-13	PMK

drive
MEDICAL DESIGN & MANUFACTURING

Ainley's Industrial Estate, Elland HX5 9JF
T: +44 (0) 1422 314488
E: enquiries@drivemedical.co.uk
W: www.drivemedical.co.uk/technical

TITLE:



NEO 6 SCOOTER (MS041)
PARTS CATALOGUE

DATE: 30/10/07

SHEET No: 2 OF 2

DRAWN: PMK

CHECKED:

REVISION No: -

SCALE: NTS

DWG No: Z40942